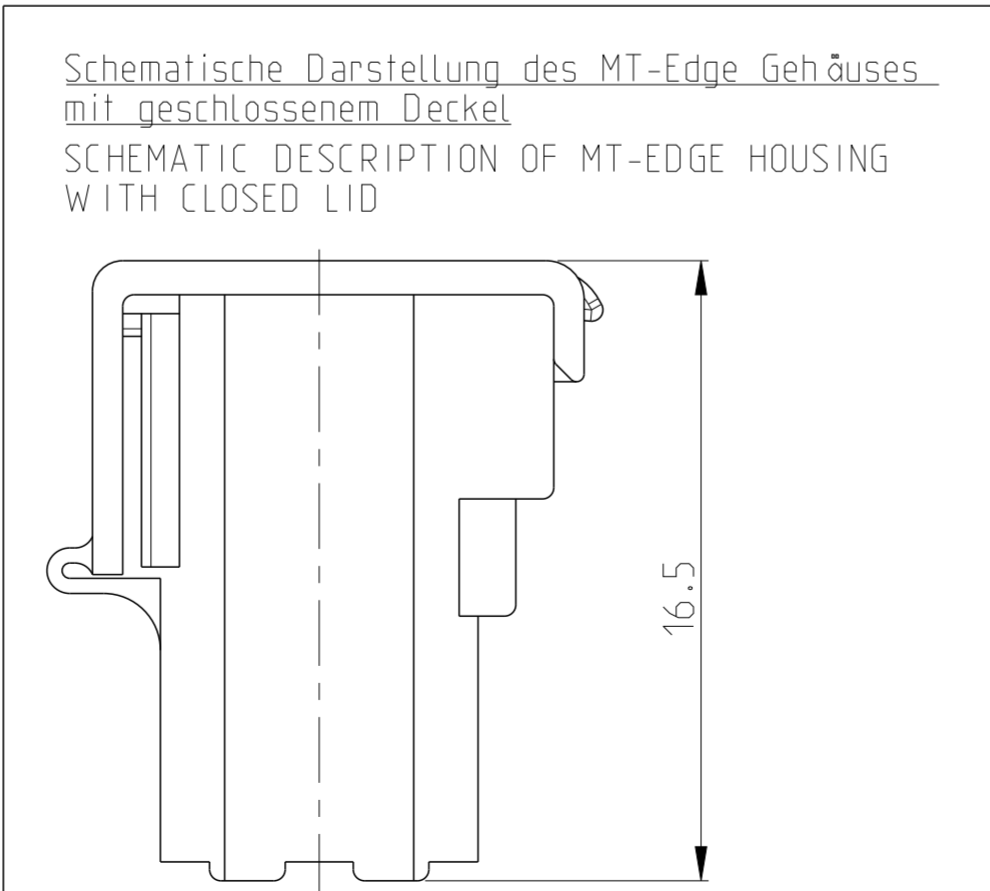
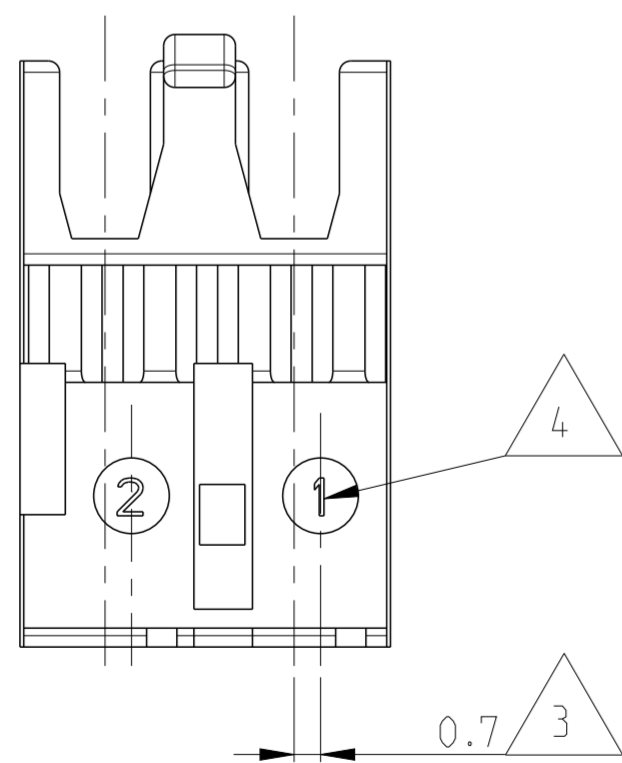
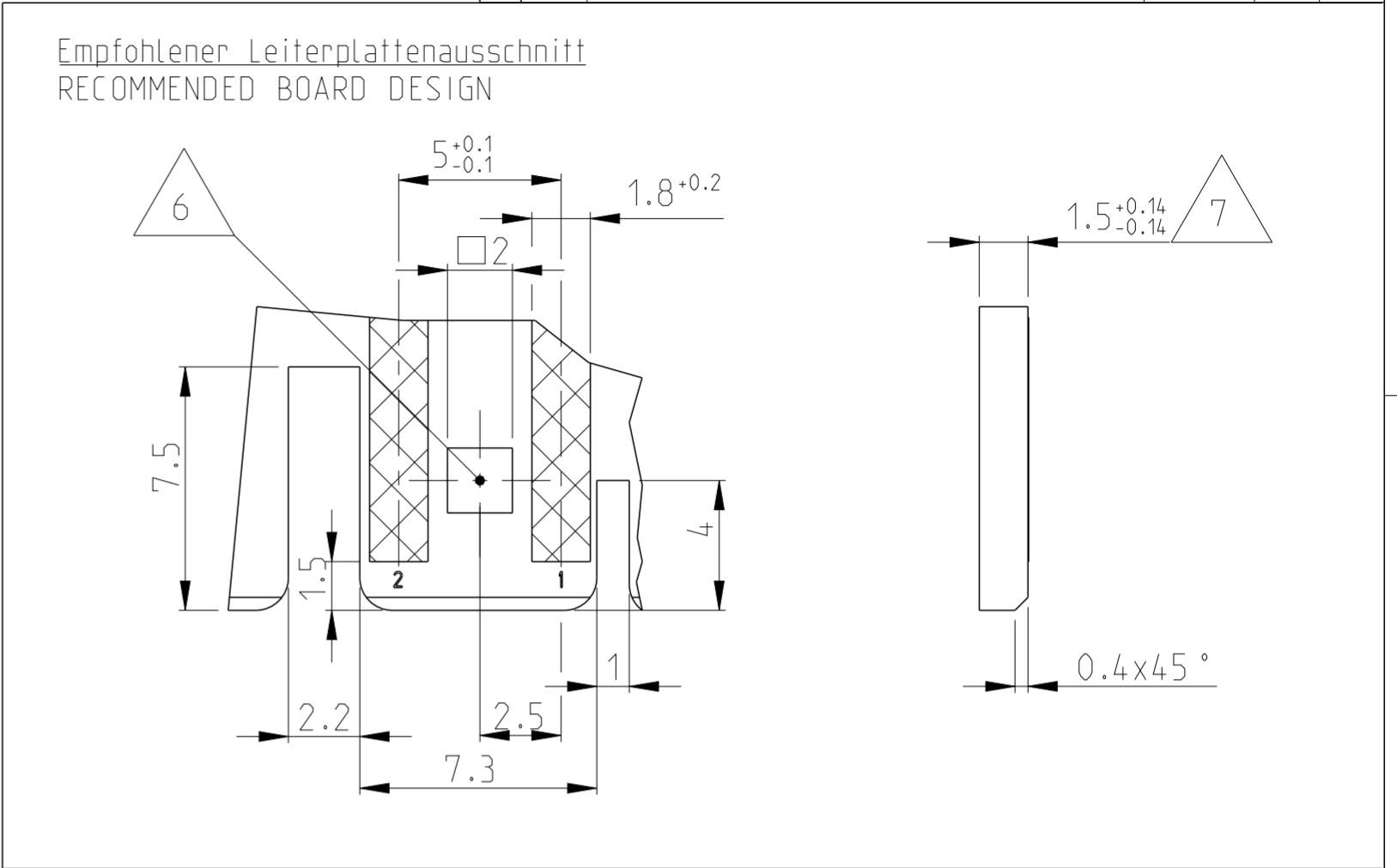
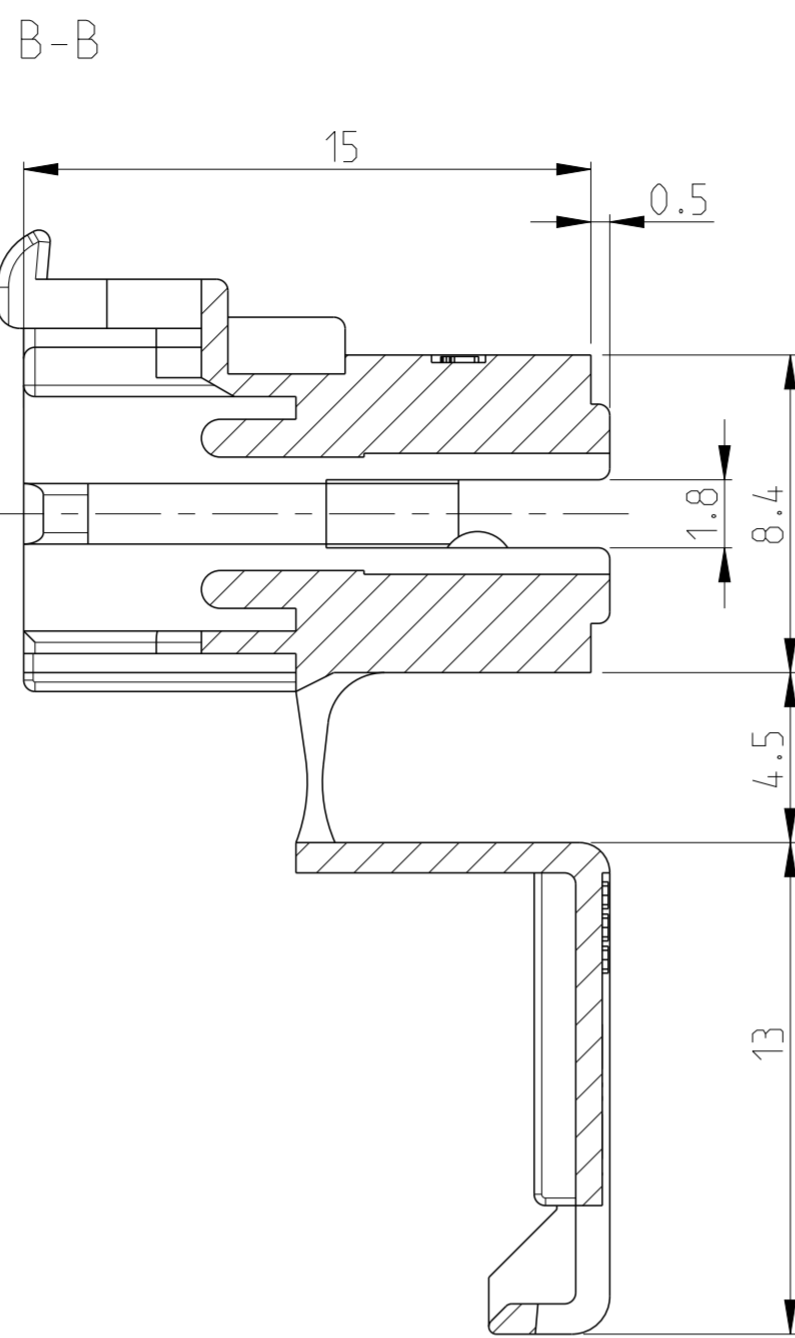
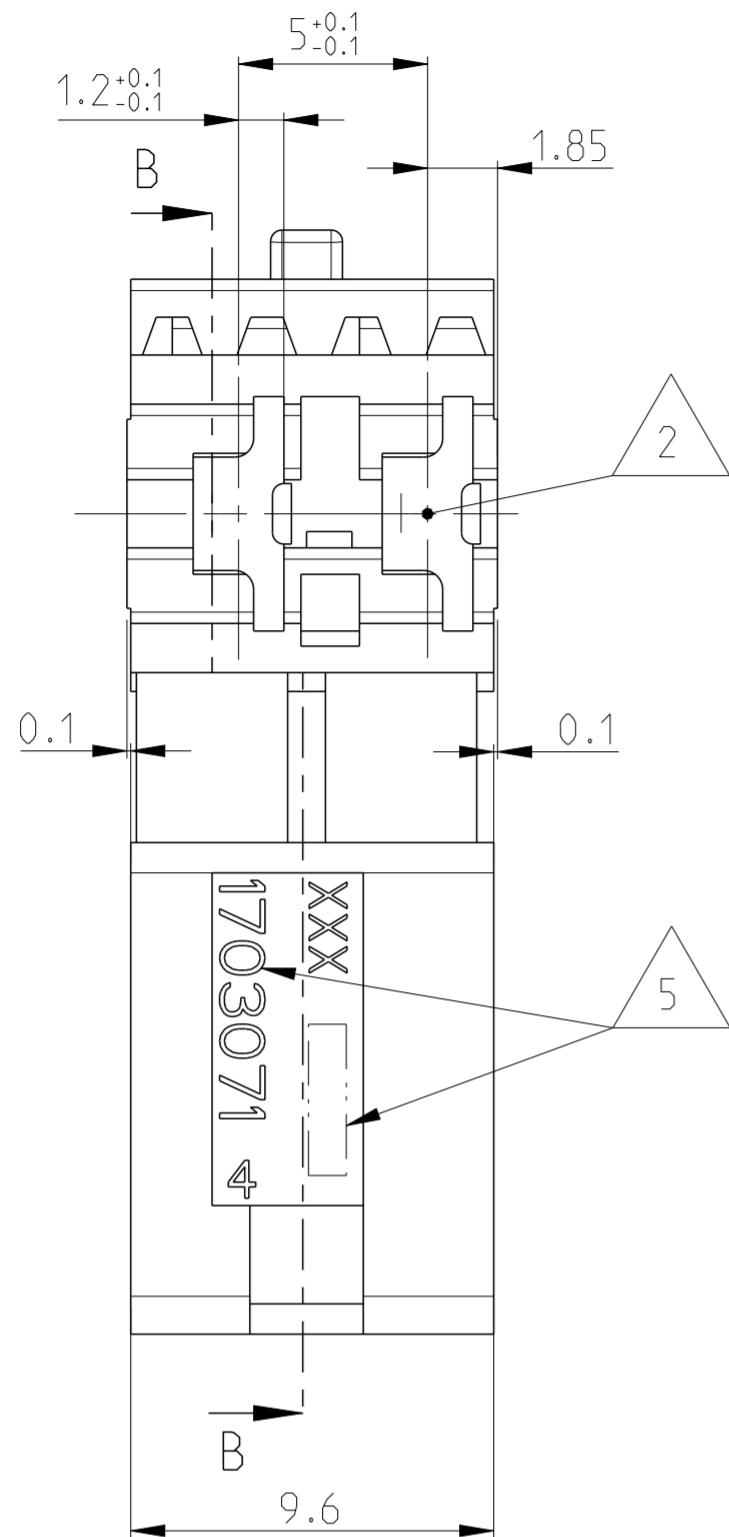


LOC		DIST		REVISIONS			
P	LTR	DESCRIPTION	DATE	DWN	APVD		
A1	-	C4	REVISED PER ECR-16-012572	04OCT2016	BW	RS	



Bemerkungen
NOTES

- 1 Massgebend ist der deutsche Text
ONLY THE GERMAN-LANGUAGE VERSION SHALL BE BINDING
- 2 Lage des Kontaktpunktes auf der Leiterplatte; Abweichung ±0.4
POSITION OF CONTACT POINT ON BOARD; DEVIATION ±0.4
- 3 Kontaktierung zur Drahtmitte um 0.7mm versetzt
CONTACTING 0.7mm DISPLACED TO WIRE CENTRELINE
- 4 Kontaktkammer-Nr.
CONTACT CAVITY #
- 5 Firmenlogo und Leergehäuse-Nr.
ARTWORK LOGO AND HOUSING # (NON LOADED)
- 6 Vierkantloch 2x2 mm wahlweise Rastloch Ø2.5 mm
SQUARE HOLE 2x2 mm OPTIONAL LOCKING HOLE Ø2.5mm
- 7 Ausführung nach DIN 60249-2-4
BOARD DESIGN ACCORDING TO DIN 60249-2-4
- 8 Crimp Kontakt-Nr.:
Material: CuSn4 926770-1, 926917-1
CRIMP CONTACT #: MATERIAL: CuSn4

OBSELETE	4-1703071-2	MT-EDGE HOUSING	GREY
	1-1703071-1	MT-EDGE HOUSING	NATURE
PART-NO.:	DESCRIPTION	COLOUR	

THIS DRAWING IS A CONTROLLED DOCUMENT.		DWN MAHNKE, B. 22SEP2004	STE TE Connectivity	
DIMENSIONS: mm		CHK STREDAK, F. 20DEC2004		
TOLERANCES UNLESS OTHERWISE SPECIFIED:		APVD BLEICHER, M. 21DEC2004	NAME 2 POS. MT-EDGE HOUSING RAST 5mm	
0 PLC ±	±0.2mm	PRODUCT SPEC 108-18003	SIZE A2	CAGE CODE C-1703071
1 PLC ±		APPLICATION SPEC 114-18002	DRAWING NO	RESTRICTED TO
2 PLC ±		WEIGHT 1.014 g	SCALE 5:1	SHEET 1 OF 1
3 PLC ±		CUSTOMER DRAWING	REV C4	
4 PLC ±				
ANGLES FINISH	±°			
MATERIAL PA6.6 / UL94V-2				

Mouser Electronics

Authorized Distributor

Click to View Pricing, Inventory, Delivery & Lifecycle Information:

[TE Connectivity:](#)

[1703071-1](#)