

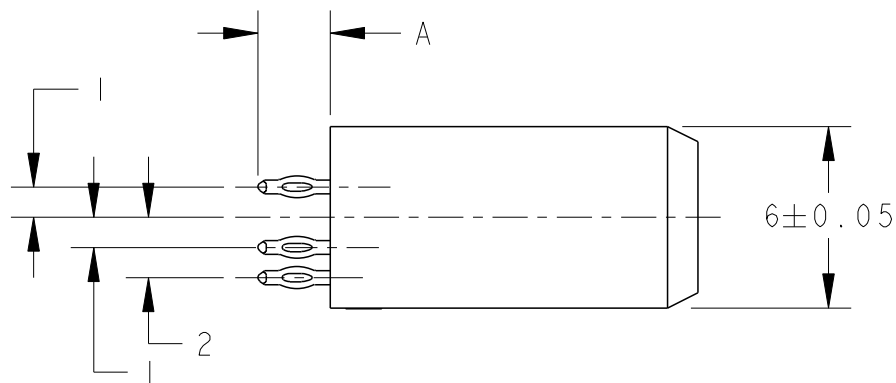
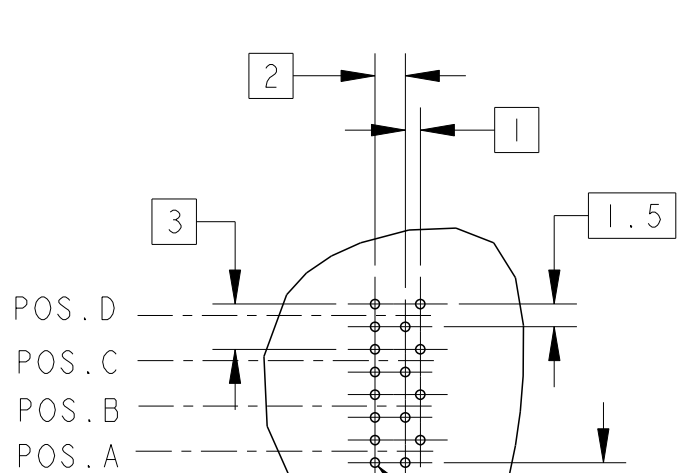
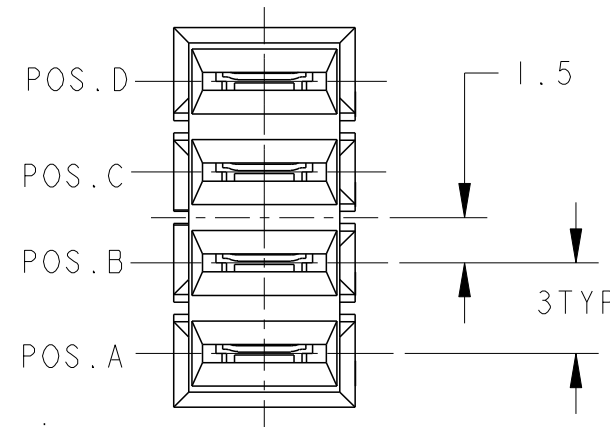
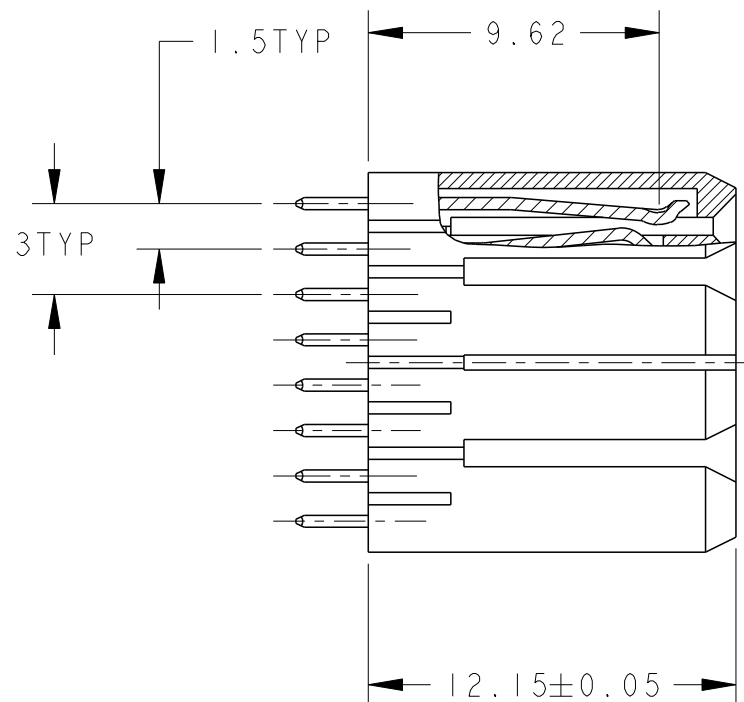
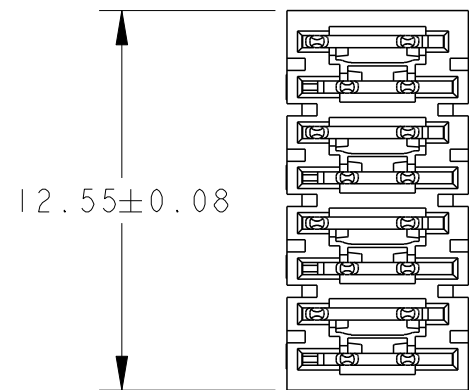
THIS DRAWING IS UNPUBLISHED.

RELEASED FOR PUBLICATION

20

© COPYRIGHT 20 BY Tyco Electronics Japan G.K. ALL RIGHTS RESERVED.

LOC	DIST	REVISIONS					
		P	LTR	DESCRIPTION	DATE	DWN	APVD
J	-		A	RELEASED	21NOV2006	T.K	K.I
			B	REVISED	22AUG2012	Y.U	E.T
			C	REV PER ECO-15-003631	09MAR2015	ML	SZ



- 1 MATERIAL
CONTACT: COPPER ALLOY
HOUSING: THERMOPLASTIC
- 2 FINISH
CONTACT MATING AREA: 0.76um MIN. GOLD PLATE
EON AREA: 0.5um MIN. TIN PLATE
ALL OVER 1.27um MIN. NICKEL PLATE
- 3 TYPICAL HOLE DETAIL;
DRILLED HOLE = $\varnothing 0.7 \pm 0.02$
COPPER THICKNESS = 0.035 TO 0.065
- 4 FINISH
CONTACT MATING AREA: 0.76um MIN. GOLD PLATE
EON AREA: 0.5um MIN. BRIGHT TIN-LEAD PLATE
ALL OVER 1.27um MIN. NICKEL PLATE
- 5 CONTACT AREA LUBRICATED WITH BELLCORE APPROVED LUBRICANT. TECHNICAL REFERENCE: GR-1217-CORE, ISSUE 1, NOVEMBER 1995.

TOP SURFACE OF DAUGHTER CARD

0.75 REF
 $\varnothing 0.6 \pm 0.05$ 3
 $\varnothing 0.08$ M
 PLATED THROUGH HOLE
 16PLC.

REFERENCE PCB HOLE LAYOUT

1903978-1: AS SHOWN

THIS DRAWING IS A CONTROLLED DOCUMENT.		DWN T. KATANO 21NOV06	TE Connectivity	
DIMENSIONS: mm		CHK K. IKEGAMI 21NOV06		
TOLERANCES UNLESS OTHERWISE SPECIFIED: ± 0.3		APVD K. IKEGAMI 21NOV06	NAME SLIM UNIVERSAL POWER MODULE 4POS. RECEPTACLE ASSEMBLY	
0-PLC \pm 1-PLC ± 0.1 2-PLC ± 0.01 3-PLC ± 0.001 4-PLC ± 0.0001 ANGLES \pm		PRODUCT SPEC 108-78387	SIZE A3	CAGE CODE -
MATERIAL 1		FINISH SEE TABLE	DRAWING NO C=1903978	RESTRICTED TO -
CUSTOMER DRAWING			SCALE 4:1	SHEET 1 OF 1
			REV C	



SLIM UNIVERSAL POWER MODULE 4POS. RECEPTACLE ASSEMBLY

SIZE A3, CAGE CODE -, DRAWING NO C=1903978, RESTRICTED TO -

CUSTOMER DRAWING, SCALE 4:1, SHEET 1 OF 1, REV C

Mouser Electronics

Authorized Distributor

Click to View Pricing, Inventory, Delivery & Lifecycle Information:

[TE Connectivity:](#)

[2-1903978-1](#)