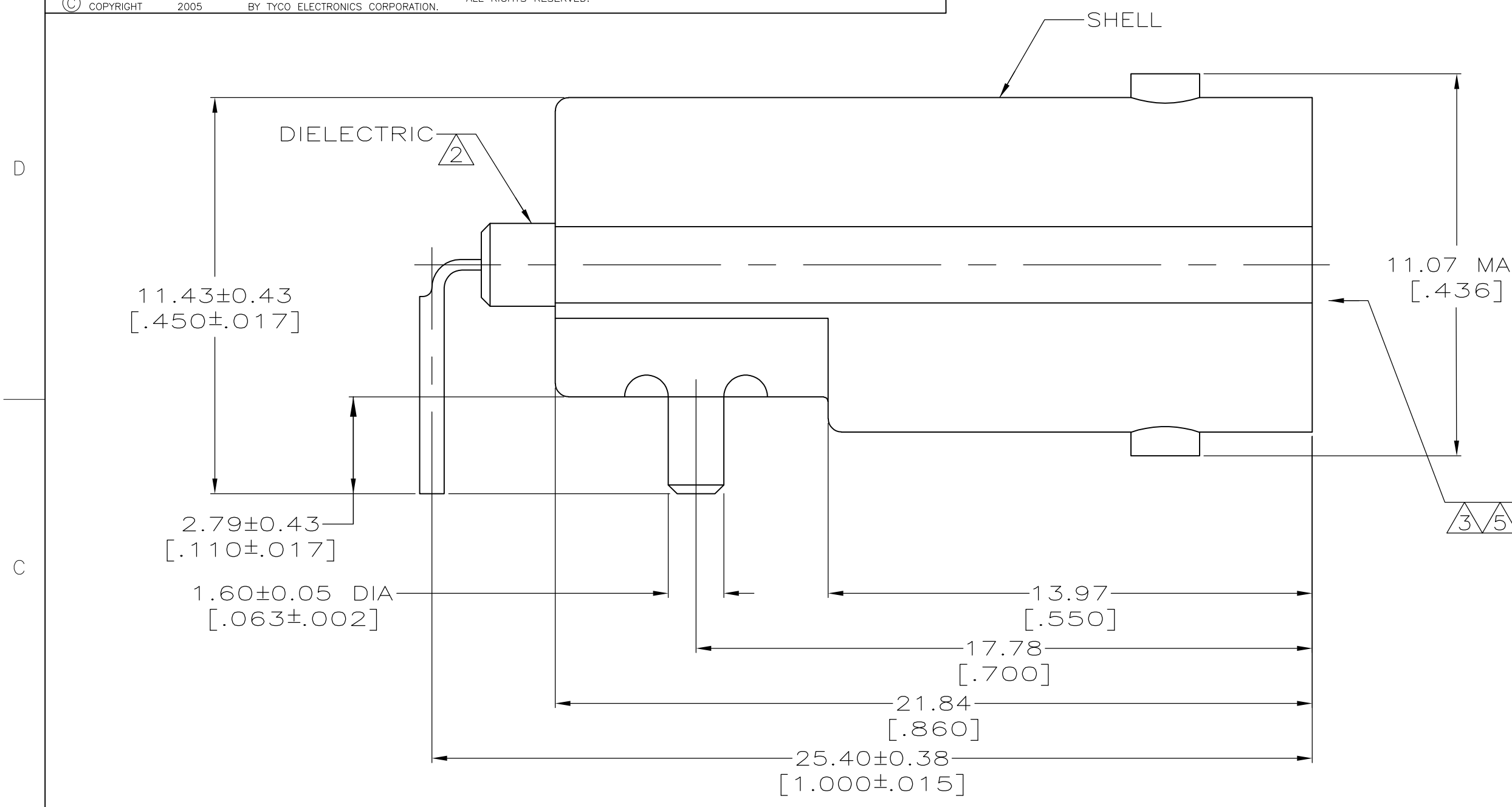
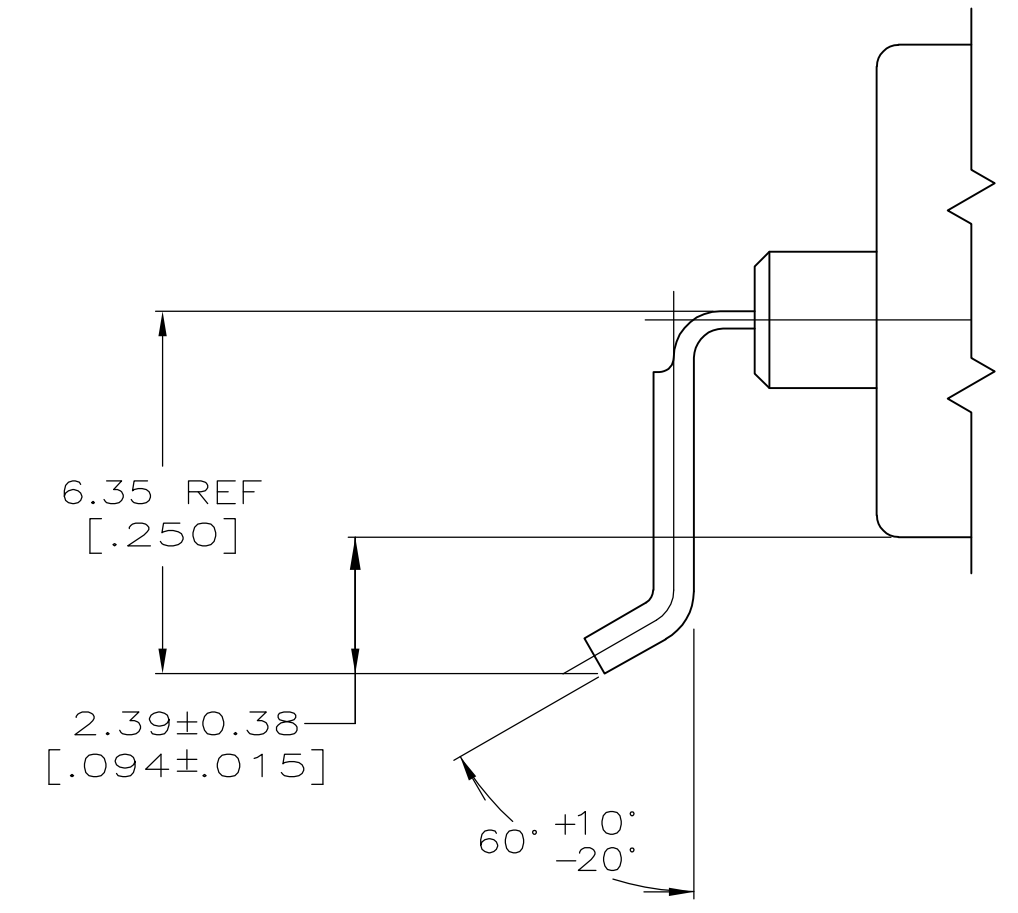


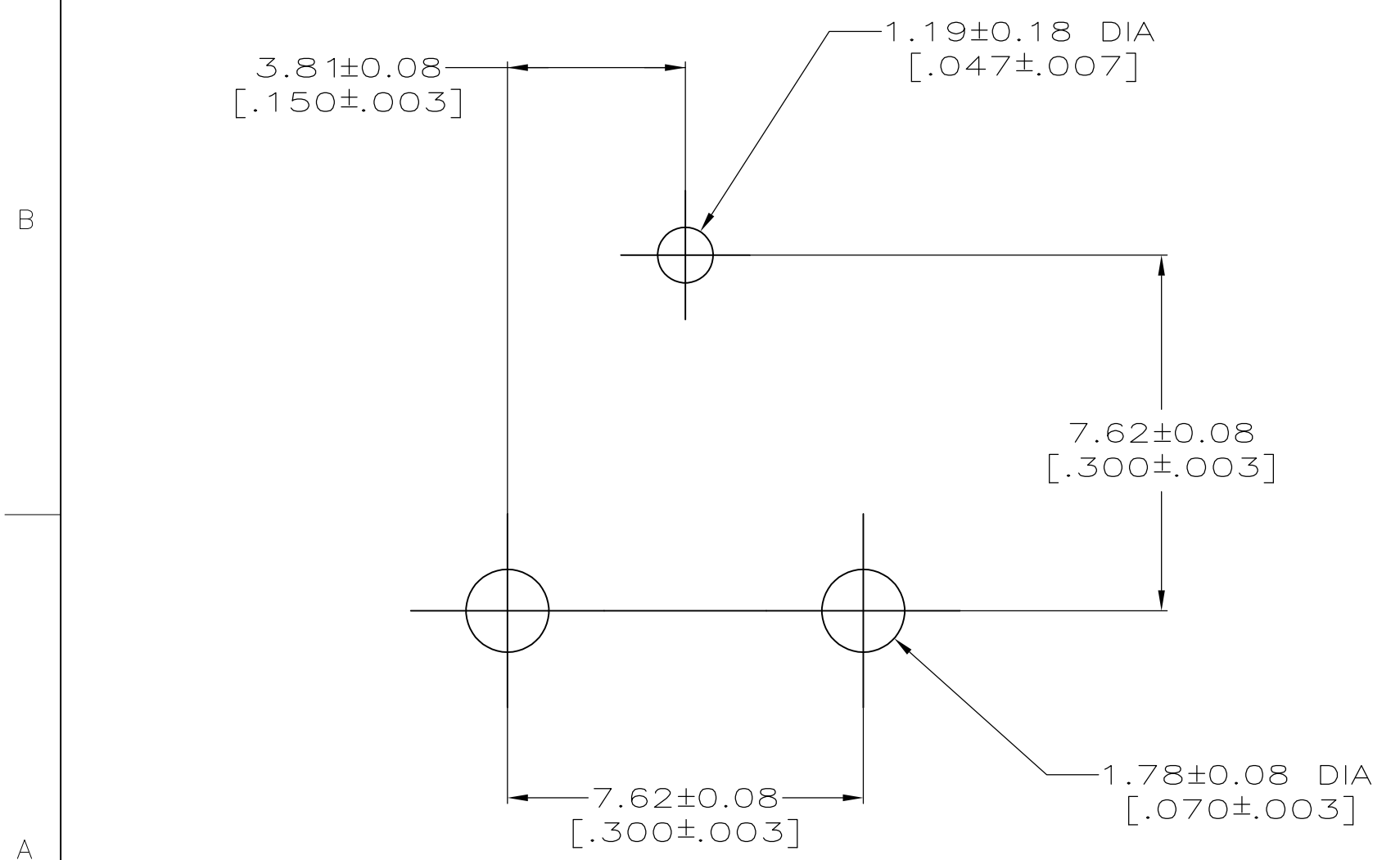
LOC	DIST	REVISIONS			
P	LTR	DESCRIPTION	DATE	OWN	APVD
AJ	16				
	J	REVISED PER EC 0514-0457-04	04NOV05	TS	JL
	J1	REVISED PER ECO-09-021826	12SEP09	KK	AEG



- ① ZINC PER QQ-Z-363.
- ② POLYMETHYLPENTENE, GENERAL PURPOSE.
- ③ PHOSPHOR BRONZE PER QQ-B-750.
- ④ NICKEL PLATE PER QQ-N-290, 3.81 μm [.000150] MINIMUM THICK.
- ⑤ GOLD PLATE PER MIL-G-45204, 0.76 μm [.000030] MINIMUM THICK.
- ⑥ ZAMAK 8
- ⑦ TIN PLATE PER ASTM-B-545, 3.81 μm [.000150] MINIMUM THICK.
- ⑧ OBSOLETE PARTS: OBSOLETE CIS STREAMLINING PER D.RENAUD/D.SINISI



FOR 414373-3 AND 414373-4 ONLY



SUGGESTED PCB CONFIGURATION

OBSOLETE	⑦	①	414373-4
OBSOLETE	④	①	414373-3
⑧ OBSOLETE	④	⑥	<del>414373-2</del>
	④	①	414373-1
	SHELL FINISH	SHELL MATERIAL	PART NO

THIS DRAWING IS A CONTROLLED DOCUMENT.		DWN	05AUG92	Tyco Electronics Corporation	
DIMENSIONS: mm [INCHES]		CHK	10AUG92	Harrisburg, PA 17105-3608	
TOLERANCES UNLESS OTHERWISE SPECIFIED:		APVD	10AUG92	NAME	
0 PLC ± -	1 PLC ± -	A. GABANY		JACK, RIGHT ANGLE, PCB, 50 OHM, BNC	
2 PLC ± 0.13 [.005]	3 PLC ± -	A. GABANY		PRODUCT SPEC	
4 PLC ± -	ANGLES ± ± 5°	108-12078		APPLICATION SPEC	
MATERIAL	FINISH	WEIGHT	SIZE	CAGE CODE	DRAWING NO
SEE NOTES 1-3, 6	SEE NOTES 4-5	-	A2	00779	414373
CUSTOMER DRAWING			SCALE	SHEET	REV
			8:1	1 OF 1	J1

# Mouser Electronics

Authorized Distributor

Click to View Pricing, Inventory, Delivery & Lifecycle Information:

[TE Connectivity:](#)

[414373-1](#)