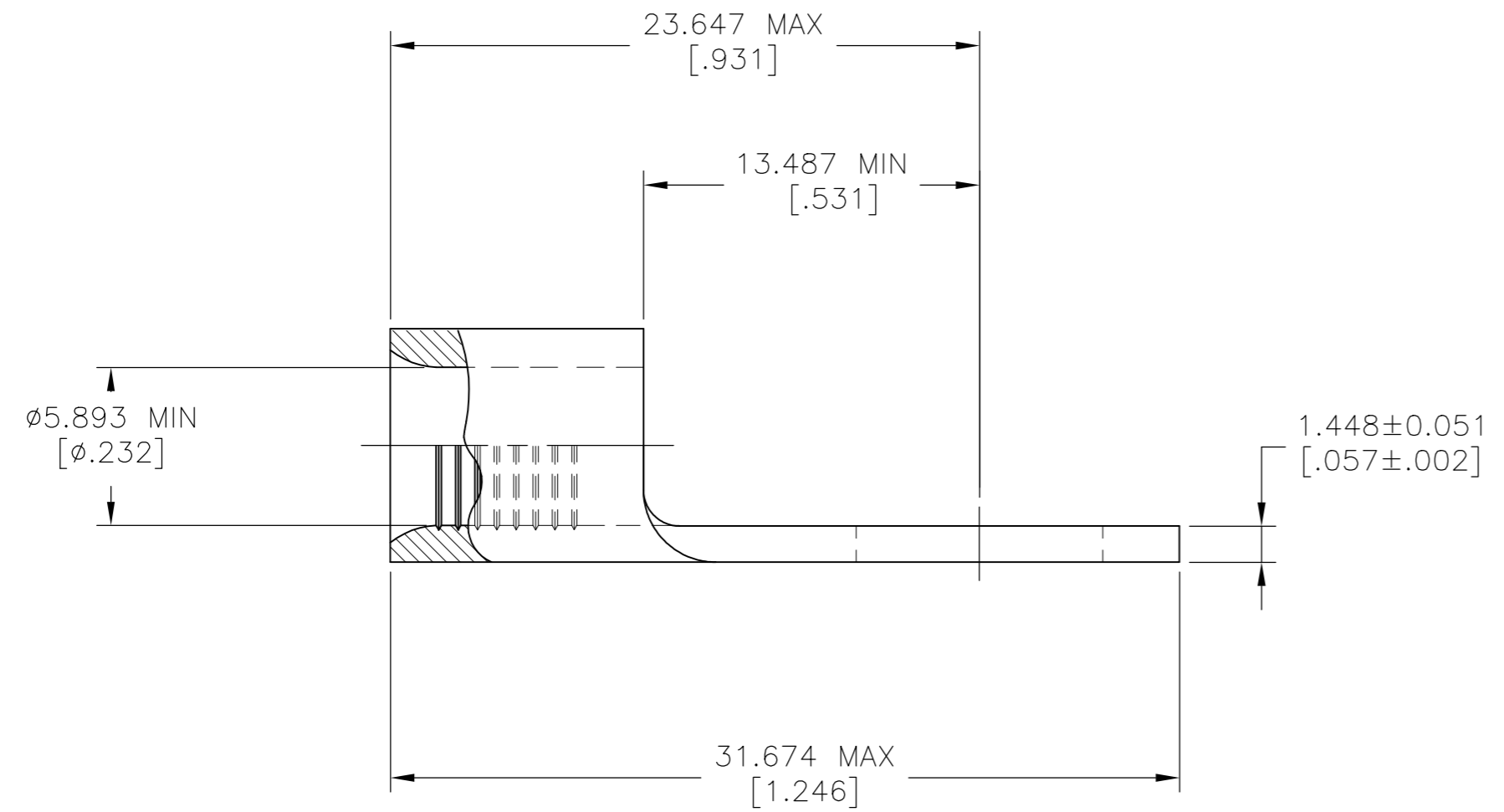
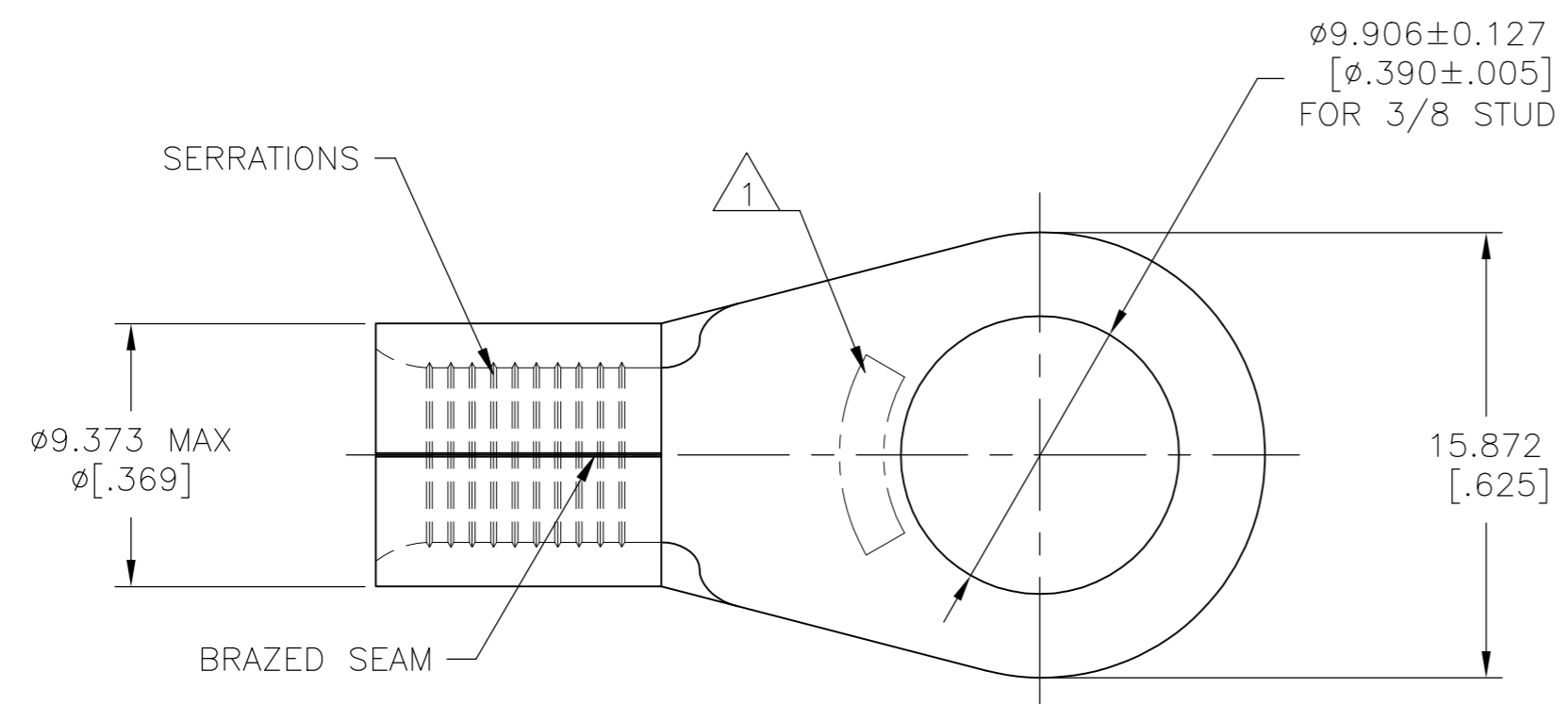


THIS DRAWING IS UNPUBLISHED. RELEASED FOR PUBLICATION
 © COPYRIGHT - By - ALL RIGHTS RESERVED.

REVISIONS					
P	LTR	DESCRIPTION	DATE	DWN	APVD
M2		REVISED PER ECO-11-004820	11MAR11	RK	HMR
M3		REVISED PER ECO-17-008806	19FEB2018	RS	DR



AMP WIRE RANGE	E13288 Listed
6 AWG SOLID OR STRANDED	6 AWG STRANDED
LR7189 Certified	MILITARY P/N AND CLASS
6 AWG SOLID OR STRANDED	MS 20659-110 CLASS 2 33467 ONLY

- STAMP AMP 6* APPROX AS SHOWN
- UL 486 A-B OR SAE AS7928

**AMP INCORPORATED
 CUSTOMER SERVICE SYSTEMS**

FOR ADDITIONAL PRODUCT INFORMATION OR COPIES OF DRAWINGS AND TECHNICAL DOCUMENTS	PRODUCT INFORMATION CENTER 1-800-522-6752
FOR APPLICATION TOOLING INFORMATION	TOOLING ASSISTANCE CENTER 1-800-722-1111
FOR ORDER ENTRY	1-800-526-5142

MAX RECOMMENDED OPERATING TEMPERATURE: 170° C [338°F] MAX
VOLTAGE RATING: NOT APPLICABLE
WIRE CROSS SECTIONAL AREA RANGE: 10.5-16.8mm ² [20,800-33,100] CIR MILS SOLID OR STRANDED

THIS DRAWING IS A CONTROLLED DOCUMENT.	
DIMENSIONS: mm [INCHES]	TOLERANCES UNLESS OTHERWISE SPECIFIED:
	0 PLC ± -
	1 PLC ± -
	2 PLC ± -
	3 PLC ± 0.127[.005]
	4 PLC ± -
	ANGLES ± -
MATERIAL COPPER PER ASTM B-152 ANNEALED	FINISH TIN PLATE 0.00254[.000100] MIN THK PER ASTM B545

DWN TA BRINKMAN 3-24-93	TE Connectivity Ltd.	
CHK DA PATTERSON 3-24-93	NAME TERMINAL, RING TONGUE, SOLISTRAND™ 6 AWG	
APVD DE MILLER 3-24-93	SIZE A2	CAGE CODE 00779
PRODUCT SPEC 	DRAWING NO C-33467	RESTRICTED TO -
APPLICATION SPEC -	SCALE 4:1	SHEET 1 OF 1
WEIGHT -	CUSTOMER DRAWING	REV M3

25	LOOSE PIECE, BOX	8-33467-3
750	TAPE MOUNTED	2-33467-3
100	LOOSE PIECE	33467
QUANTITY	PACKAGE TYPE	PART NO

Mouser Electronics

Authorized Distributor

Click to View Pricing, Inventory, Delivery & Lifecycle Information:

[TE Connectivity:](#)

[2-33467-4](#)