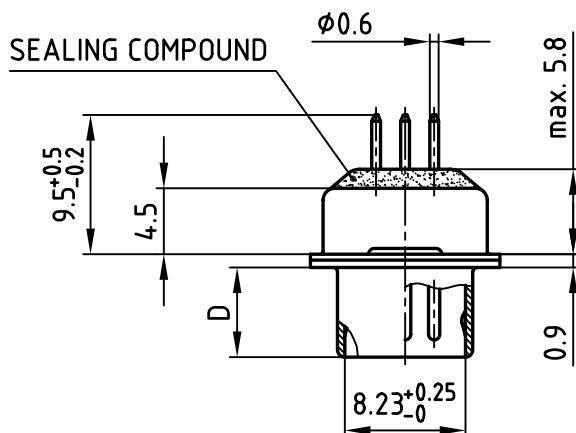
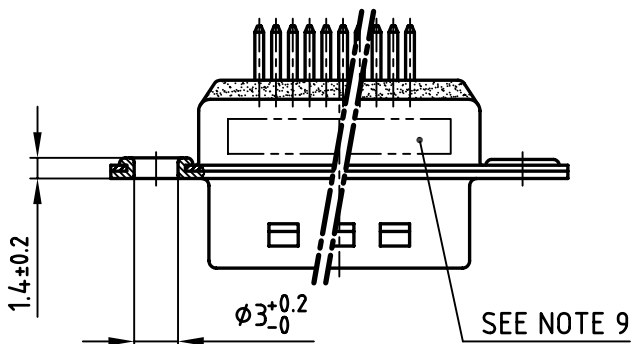
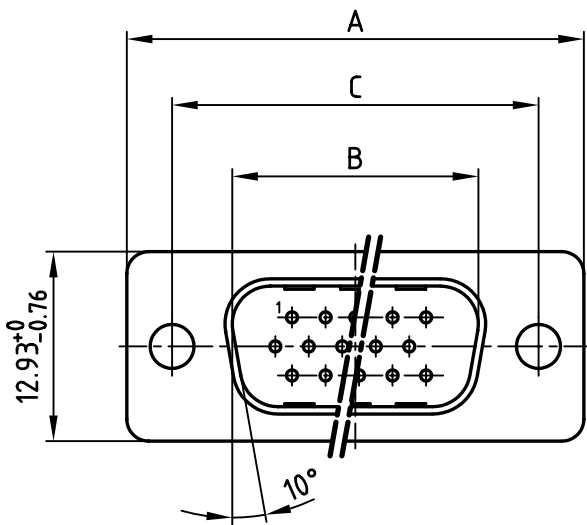


used for: D-SUB HD FILTER

POS.	A ^{-0.76}	B ^{+0.25}	C	D ^{-0.3}	PART-NO.
15	31.19	16.79	25.00 ^{+0.12} _{-0.13}	6.12	241A16420X
26	39.52	25.12	33.30 ^{+0.15} _{-0.1}	6.12	241A16430X
44	53.42	38.84	47.04 ^{±0.13}	5.99	241A16440X
62	69.70	55.30	63.50 ^{±0.13}	5.99	241A16450X



NOTES:

1. RoHS COMPLIANT
2. SUITABLE FOR WAVE SOLDERING
3. METALSHELLS: STEEL; min. 315µm TIN over 40-80µm NICKEL
4. INSULATORS: HIGH TEMPERATURE PLASTIC UL 94 V-0, BLACK
5. CONTACTS: COPPER ALLOY
PLATING: 8µm HARD GOLD over min. 50µm NICKEL
CONTACT TAILS PRETINNED
6. P.C.B. HOLE DRILLINGS ON SHEET 2
7. CAPACITANCE: 830pF ±20%
8. DIELECTRIC WITHSTANDING VOLTAGE: 300 VDC
9. CONNECTOR IS PART MARKED: PART-NO. CONEC ABC

Directive 2002/95/EC
"RoHS"
Compliant

APPROVAL # FREIGABE # DEBLOCAGE # AUTORIZACION # APPROVAL	
CUSTOMER APPROVAL DATE:	
NAME:	TITLE:
COMPANY NAME:	
APPROVAL # FREIGABE # DEBLOCAGE # AUTORIZACION # APPROVAL	

THIS DRAWING MAY NOT BE COPIED OR REPRODUCED IN ANY WAY, AND MAY NOT BE PASSED ON TO A THIRD PARTY WITHOUT WRITTEN PERMISSION.
OWNERSHIP AND COPYRIGHT OF CONEC GmbH
DO NOT ALTER CAD DRAWING BY HAND

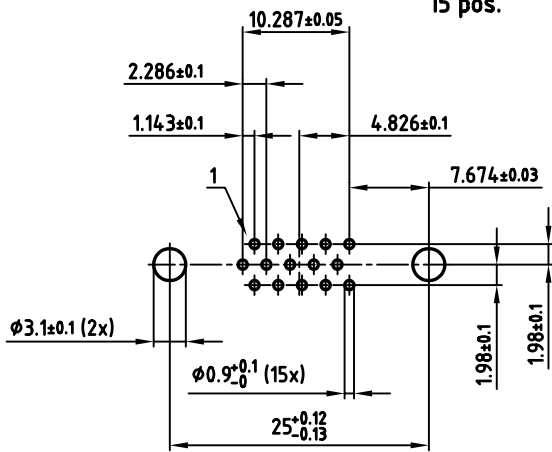
tolerance		 dim. in mm	scale: 2:1
			material: SEE NOTES
		title: D-SUB HD FILTER MALE 15-62pos. SOLDER PIN STRAIGHT	
		dwg no: AutoCAD 2006	
		24K1A998	
		part no: SEE TABLE	
a	Origin		
rev.	description	date	name



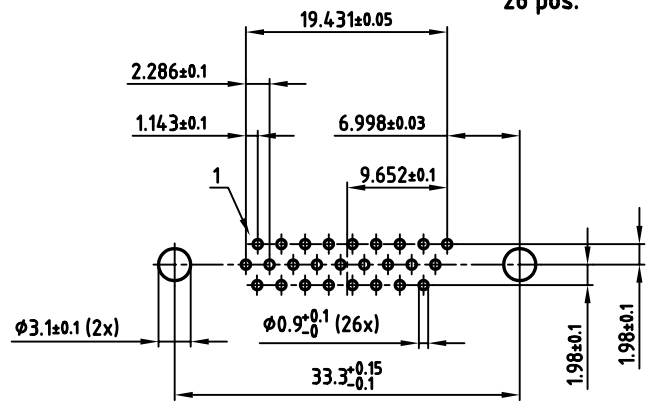
THIS DRAWING MAY NOT BE COPIED OR REPRODUCED IN ANY WAY, AND MAY NOT BE PASSED ON TO A THIRD PARTY WITHOUT WRITTEN PERMISSION.
OWNERSHIP AND COPYRIGHT OF CONEC GmbH
DO NOT ALTER CAD DRAWING BY HAND

used for: D-SUB HD FILTER

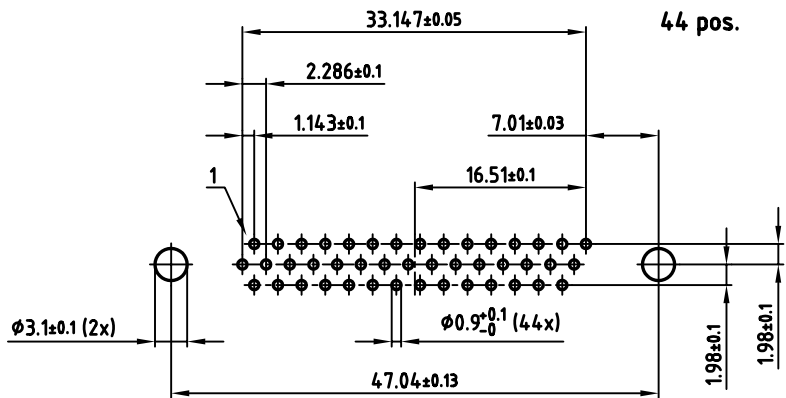
15 pos.



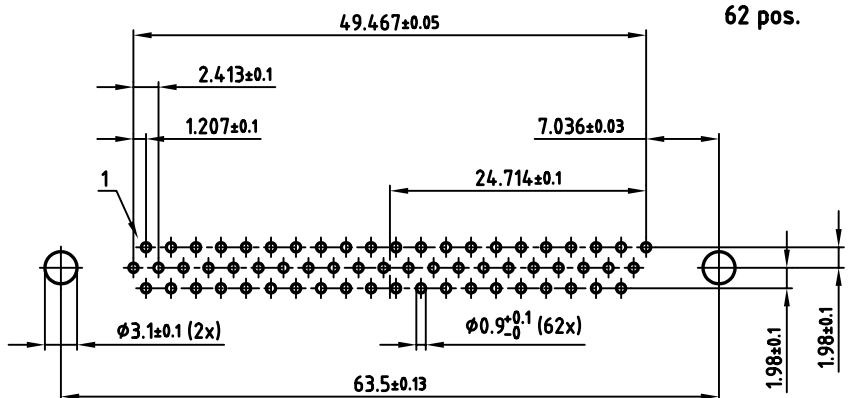
26 pos.



44 pos.



62 pos.



APPROVAL # FREIGABE # DEBLOCAGE # AUTORIZACION # APPROVAL

CUSTOMER APPROVAL DATE:


NAME: TITLE:

COMPANY NAME:

APPROVAL # FREIGABE # DEBLOCAGE # AUTORIZACION # APPROVAL

THIS DRAWING MAY NOT BE COPIED OR REPRODUCED IN ANY WAY, AND MAY NOT BE PASSED ON TO A THIRD PARTY, WITHOUT WRITTEN PERMISSION. OWNERSHIP AND COPYRIGHT OF CONEC GmbH DO NOT ALTER CAD DRAWING BY HAND

rev.	description	date	name
a	Origin		

tolerance  dim. in mm

scale: 2:1

material: SEE SHEET 1

title: P.C.B. HOLE DRILLINGS
D-SUB HD FILTER MALE 15-62pos. SOLDER PIN

dwg no: AutoCAD 2006 DIN-A 3 sh:2/2

part no: SEE SHEET 1



Mouser Electronics

Authorized Distributor

Click to View Pricing, Inventory, Delivery & Lifecycle Information:

[CONEC:](#)

[241A16420X](#)