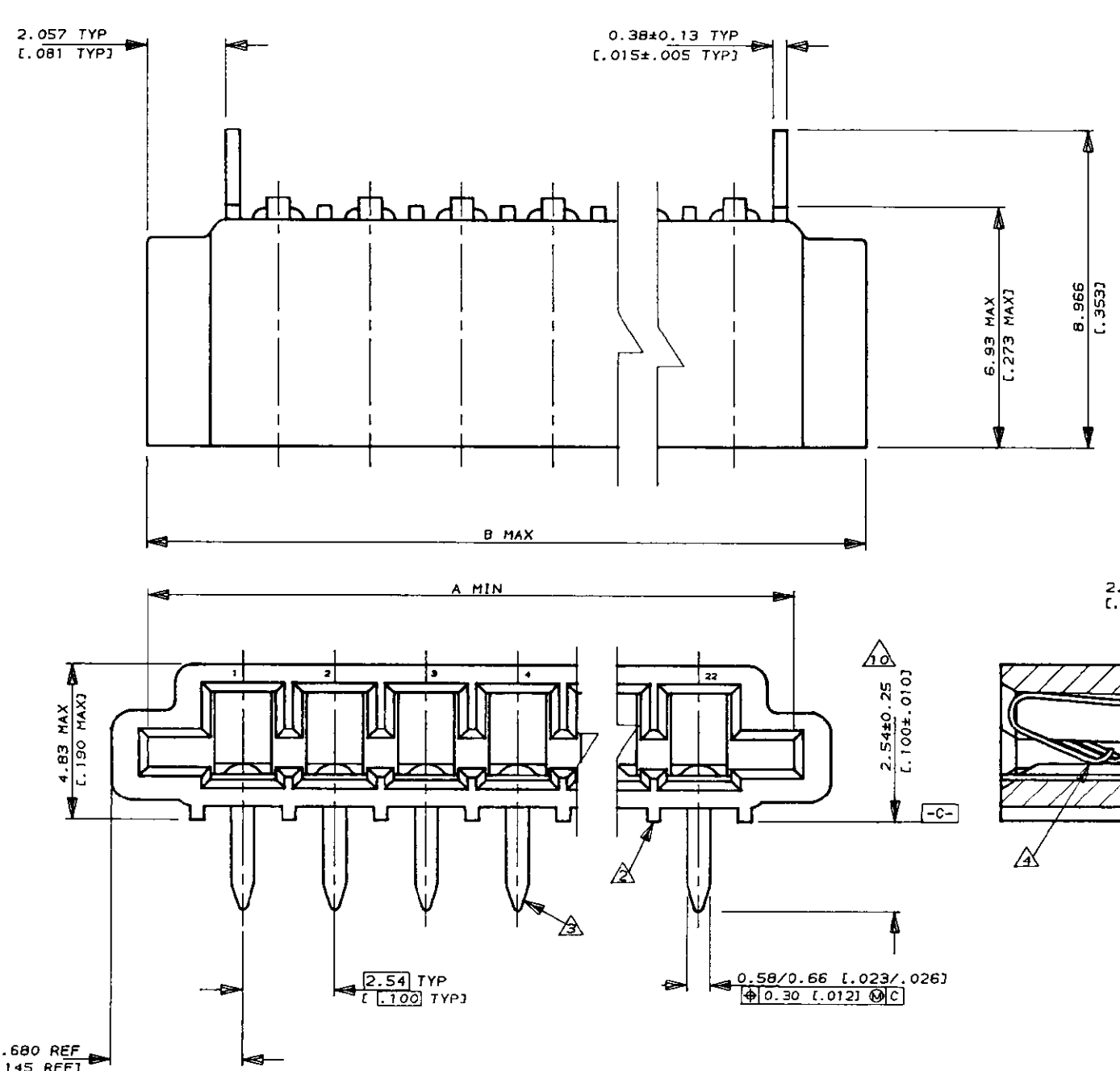


NUMBER 520314
 METRIC
 DIMENSIONS IN MM (INCHES). DO NOT SCALE PRINT
 PRINT DIST



- NOTES
- CONNECTOR WILL ACCEPT FLEXIBLE PRINTED CIRCUIT OR FLAT FLEXIBLE CABLE ON 2.54 (.100) CENTERS IN A THICKNESS RANGE OF 0.127 TO 0.381 (.005 TO .015) IN CONTACT AREA
 - STAND-OFFS PREVENT SOLVENT ENTRAPMENT
 - LEAD-IN ON PINS FOR EASE OF INSERTION INTO BOARD
 - SEQUENTIAL CONTACTS REDUCE CABLE INSERTION FORCE
 - STABILIZING WING MAY BE REMOVED BY CUSTOMER IF NECESSARY
 - ALTERNATING CONTACT FORM RETAINS CONNECTOR IN P.C. BOARD DURING SOLDER OPERATION
 - ACCEPTS CABLE OR CIRCUITRY WITH EXPOSED CONDUCTORS FACING TOWARD OR AWAY FROM THE BOARD SURFACE
 - REFER TO APPLICATION SPEC 114-2062
 - MATERIAL
HOUSING : GLASS REINFORCED POLYESTER
THERMOPLASTIC UL 94 VO RATED, BLACK
CONTACT : PHOS BRONZE WITH MATTE TIN FINISH.
 - AREA INDICATED SHALL MEET SOLDERABILITY SPEC 109-11-1
 - OBsolete PARTS: OBsolete CIS STREAMLINING PER D.RENAUD/D.SINISI

		LEAD FREE				SUPERSEDED	
OBsolete	Part No	Packing	B	A	POS	Part No	
7-520314-2	60.78 [2.393]	58.62 [2.308]	22	2-520314-2			
7-520314-1	58.24 [2.293]	56.08 [2.208]	21	2-520314-1			
7-520314-0	55.70 [2.193]	53.54 [2.108]	20	2-520314-0			
6-520314-9	53.16 [2.093]	51.00 [2.008]	19	1-520314-9			
6-520314-8	50.62 [1.993]	48.46 [1.908]	18	1-520314-8			
6-520314-7	48.08 [1.893]	45.92 [1.808]	17	1-520314-7			
6-520314-6	45.54 [1.793]	43.38 [1.708]	16	1-520314-6			
6-520314-5	43.00 [1.693]	40.84 [1.608]	15	1-520314-5			
6-520314-4	40.46 [1.593]	38.30 [1.508]	14	1-520314-4			
6-520314-3	37.92 [1.493]	35.76 [1.408]	13	1-520314-3			
6-520314-2	35.38 [1.393]	33.22 [1.308]	12	1-520314-2			
6-520314-1	32.84 [1.293]	30.68 [1.208]	11	1-520314-1			
6-520314-0	30.30 [1.193]	28.14 [1.108]	10	1-520314-0			
5-520314-9	27.76 [1.093]	25.60 [1.008]	9	520314-9			
5-520314-8	25.22 [.993]	23.06 [.908]	8	520314-8			
5-520314-7	22.68 [.893]	20.52 [.808]	7	520314-7			
5-520314-6	20.14 [.793]	17.98 [.708]	6	520314-6			
5-520314-5	17.60 [.693]	15.44 [.608]	5	520314-5			
5-520314-4	15.06 [.593]	12.90 [.508]	4	520314-4			
5-520314-3	12.52 [.493]	10.36 [.408]	3	520314-3			
5-520314-2	9.98 [.393]	7.82 [.308]	2	520314-2			

S3 ECR-10-022530		KK	HMR	07FEB11	Copyright ©1993		Copyright ©1993		TE Connectivity	
S2 ECO-10-000445		KK	AEG	11JAN10	TE MFG (S) PTE LTD.		ALL RIGHTS RESERVED.			
S1 REVISED AS PER ECR-06-04332		PM	KS	21FEB06	(WIRE RANGE)	(INSULATION DIA.)	(NAME)			
S REVISED FRO00-0011-04		SD	PCH	19FEB04	mm ² (AWG -)	mmØ	TRIOMATE HORIZONTAL CABLE ENTRY			
R REVISED DY/EC/0920		LWY	SL	13.12.93	(MATERIAL)	(FINISH) CONTACTS	FOR 1.57 [.062] THK P.C. BOARD			
Q REDRAWN DY/EC/0784		LWY	SL	30.7.93		MATTE TIN/LEAD PLATED	(GENERAL TOLERANCE)	SIZE	LOC	(No.)
LTR (REVISION RECORD)		DR	CHK	DATE	DR. WYLEE 30.7.93	DE. A.SOH	±.38	A3	DY	520314
					CHK. SALLY 30.7.93	APP. PETER de JONG	[±.015]	(SCALE)	REV.	SHEET
							6:1	S3	1 OF 1	

(CUSTOMER DRAWING)

Mouser Electronics

Authorized Distributor

Click to View Pricing, Inventory, Delivery & Lifecycle Information:

[TE Connectivity:](#)

[5-520314-2](#)