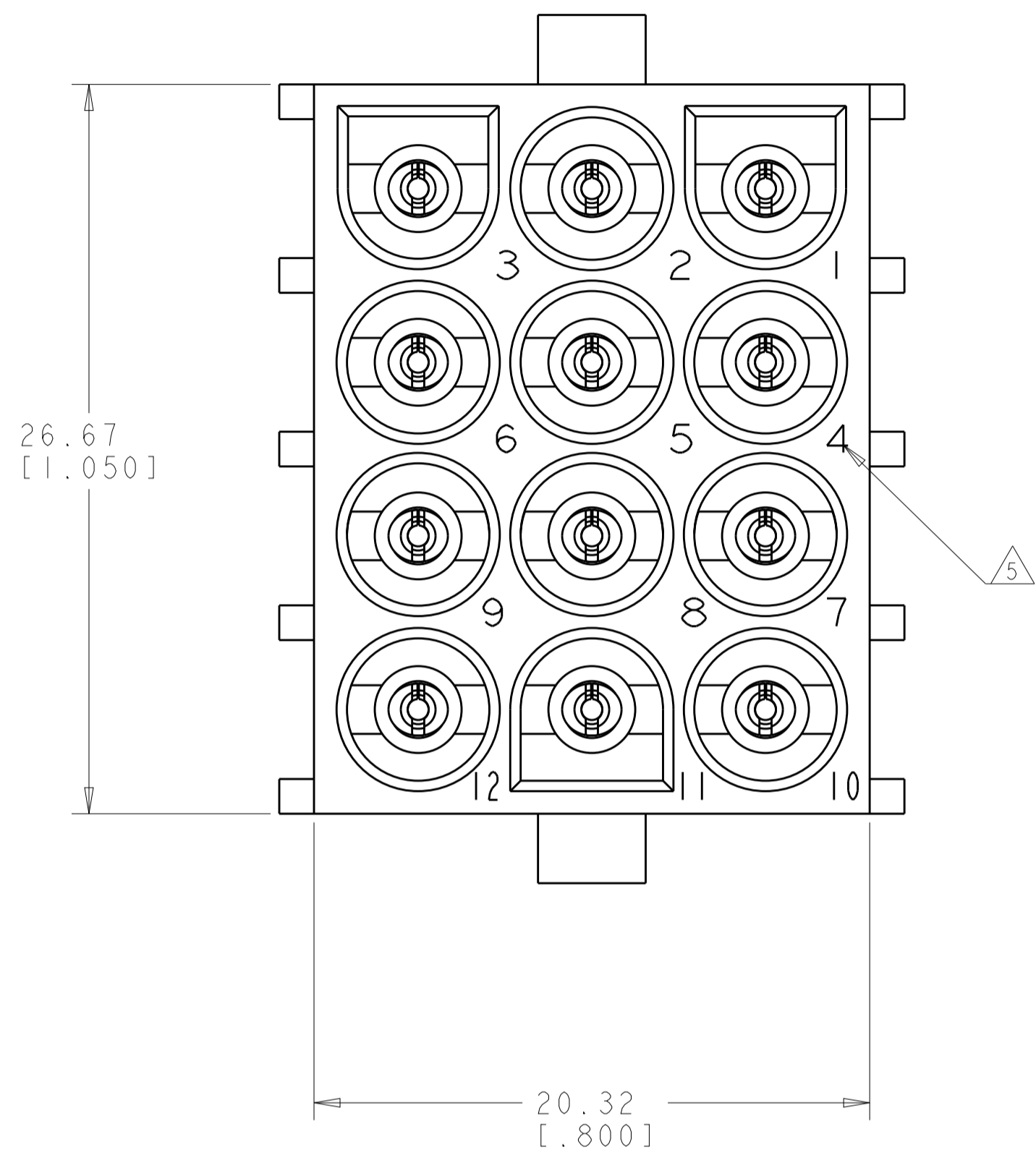
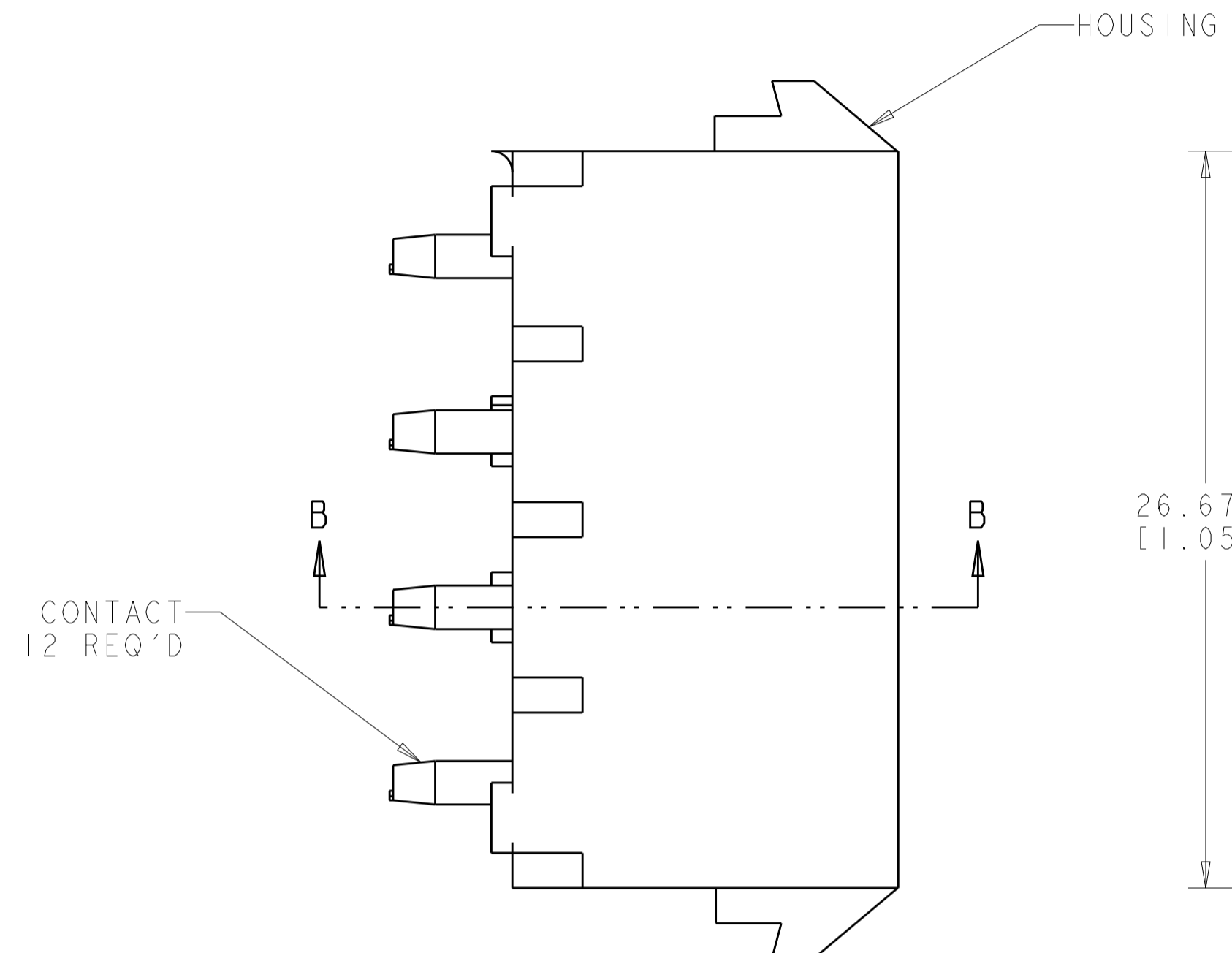
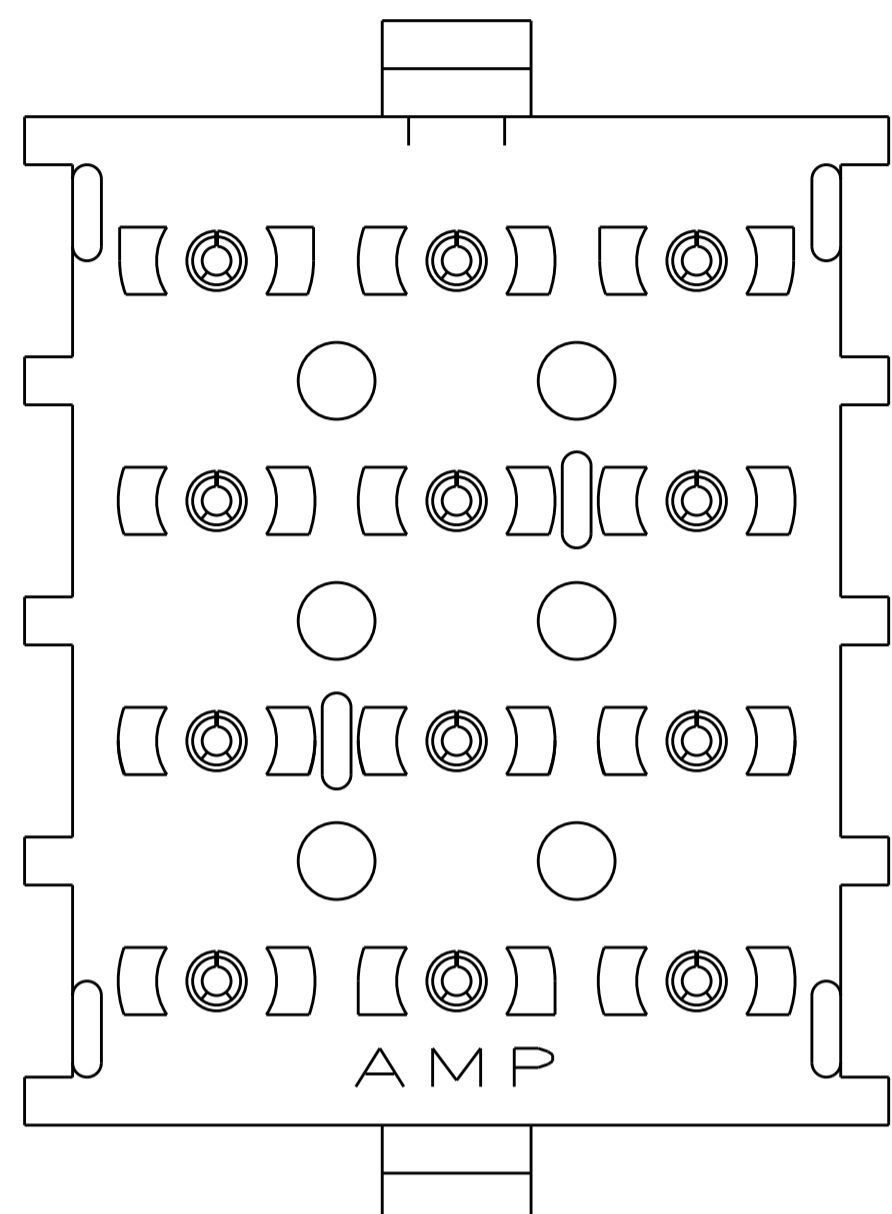
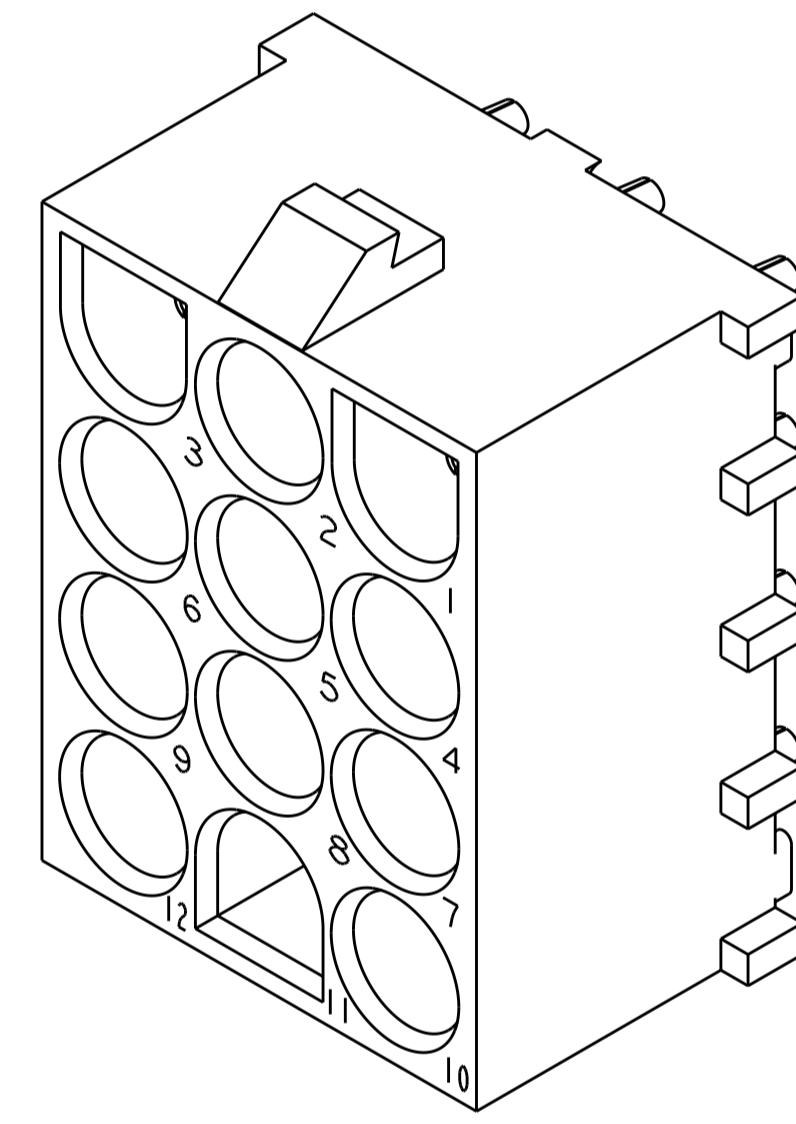


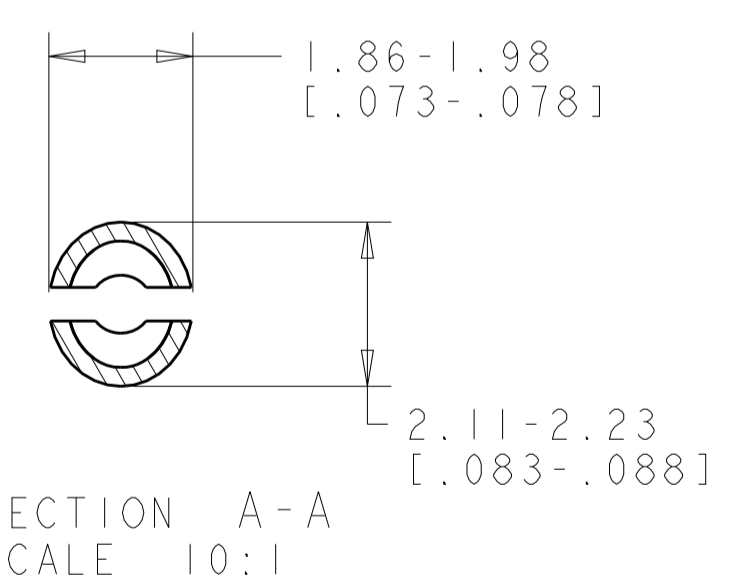
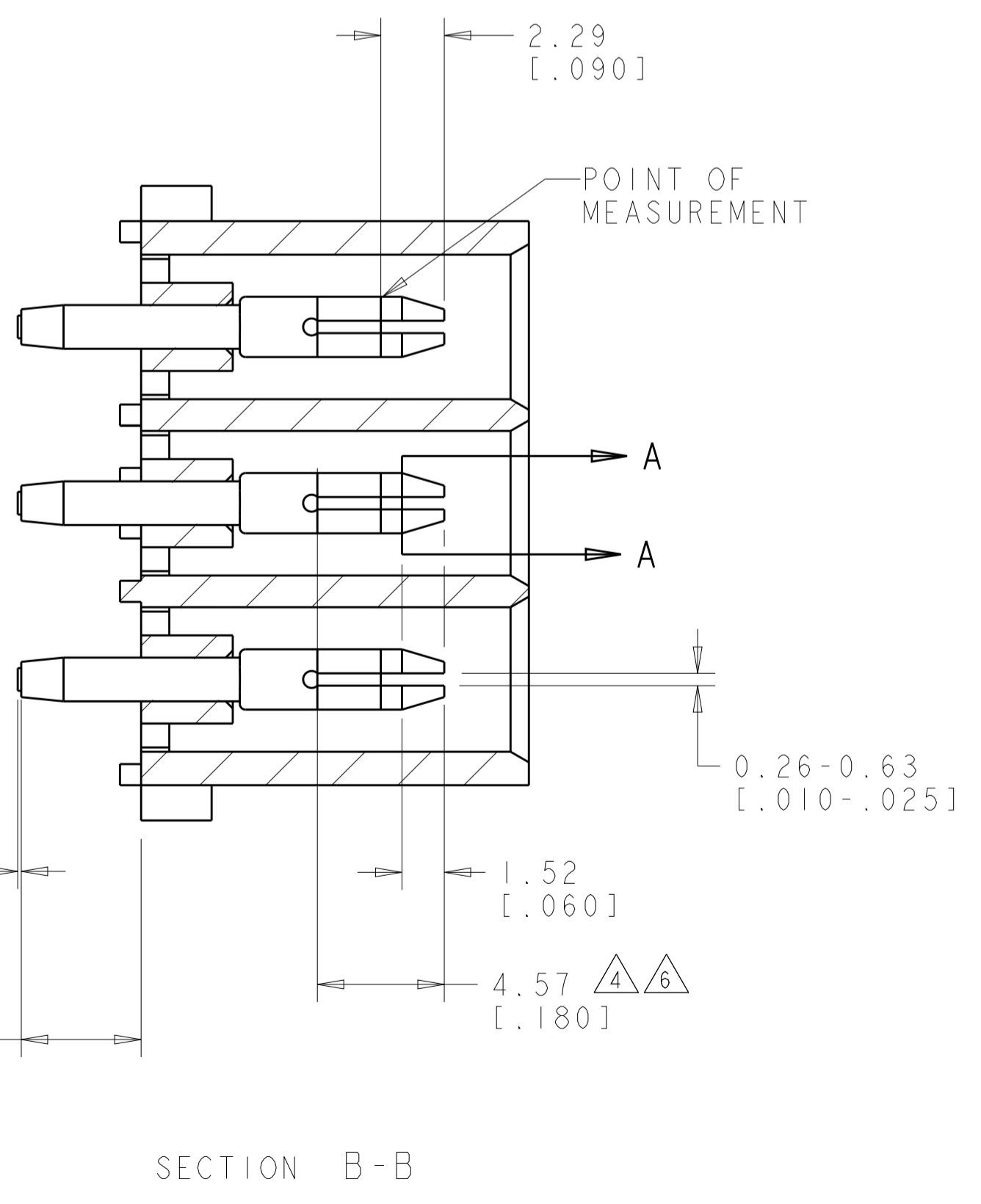
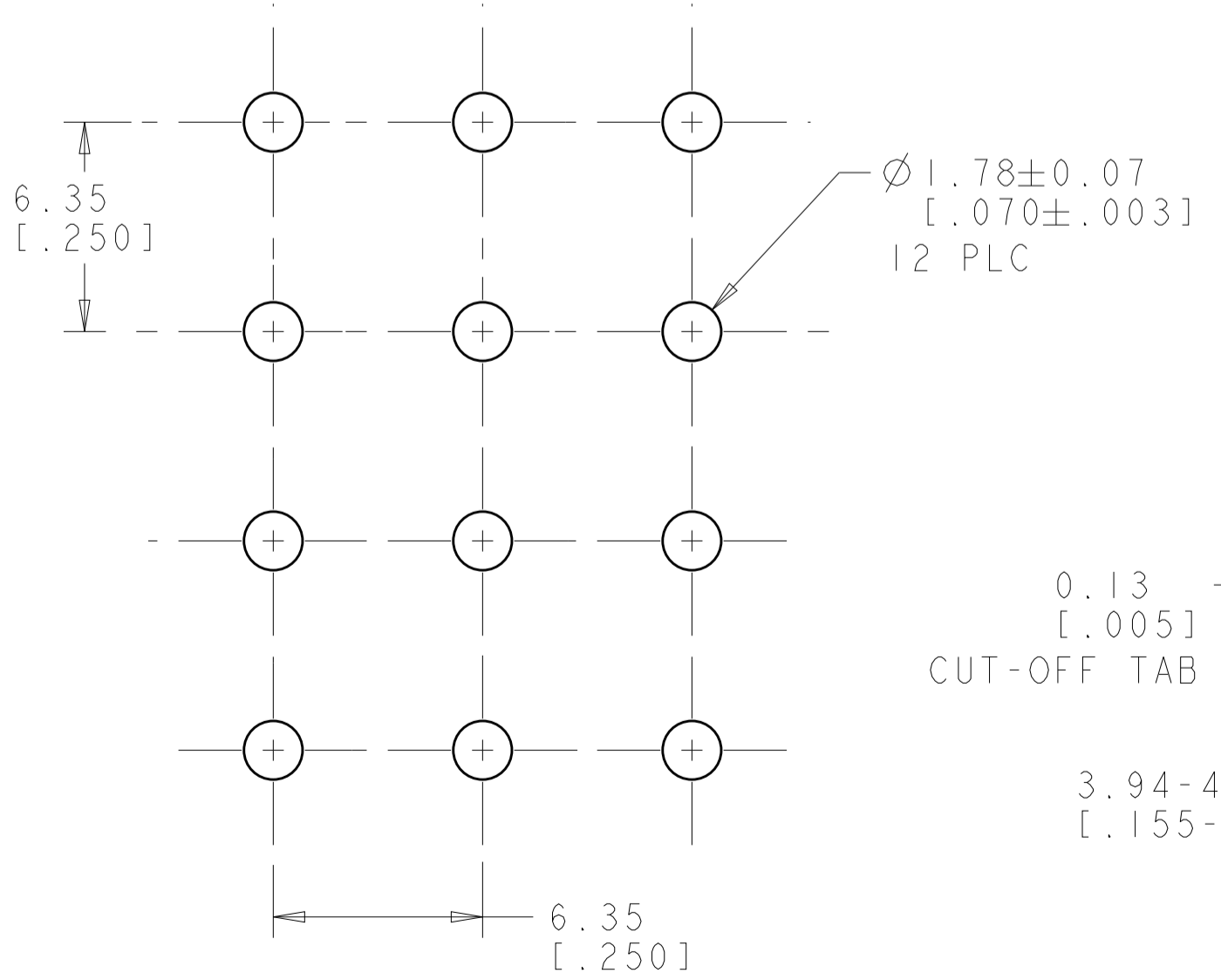
LOC	DIST	REVISIONS					
		P	LTN	DESCRIPTION	DATE	DWN	APVD
CM	00	M2		REVISED PER ECR-12-011660	24JAN2013	KH	TM



1. MATES WITH HOUSING 350735.
2. NOTE DELETED.
3. PARTS COMPLY TO AMP SOLDERABILITY SPECIFICATION 109-11-3.
4. CONTACT IS PLATED OVERALL WITH 0.00127 [.000050] NICKEL, THEN 0.00076 [.000030] GOLD OVER CONTACT LENGTH INDICATED AND TIN LEAD ON SOLDER TAIL END.
5. CIRCUIT IDENTIFICATION CHARACTERS ARE ADJACENT TO THE INDICATED CAVITIES, BUT LOCATION AND ORIENTATION MAY DIFFER FROM PRINT.
6. CONTACT IS PLATED OVERALL WITH 0.00127 [.000050] NICKEL, THEN 0.00076 [.000030] GOLD OVER CONTACT LENGTH INDICATED AND MATTE TIN ON SOLDER TAIL END.
7. DIMENSIONS IN BRACKETS ARE IN INCHES.
8. SUPERSEDED BY 350713-4



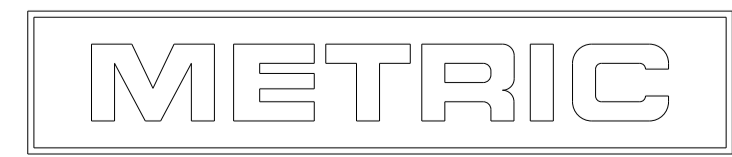
3 DIMENSIONAL MODEL
SCALE 4:1



SECTION A-A
SCALE 10:1

PIN CONTACT MATERIAL AND FINISH	HOUSING MATERIAL AND COLOR	PART NUMBER
PHOSPOR BRONZE, GOLD	NYLON, UL94V-0, NATURAL	350713-4
PHOSPOR BRONZE, GOLD	NYLON, UL94V-0, NATURAL	350713-2
PHOSPOR BRONZE, PRE-TIN	NYLON, UL94V-0, NATURAL	350713-1

RECOMMENDED MOUNTING HOLE PATTERN FOR 1.57 [.062] THICK P.C. BOARD HOLE THAT CORRESPONDS TO REMOVED CONTACT CAN BE OMITTED



THIS DRAWING IS A CONTROLLED DOCUMENT.

DIMENSIONS: mm [INCHES]	TOLERANCES UNLESS OTHERWISE SPECIFIED:	DWN: R. WHITAKER 25JULY2005	CHK: S. RIDGILL 25JULY2005	APVD: S. RIDGILL 25JULY2005
MATERIAL: SEE TABLE	FINISH: SEE TABLE	NAME: PIN HEADER ASSEMBLY, 12 CIRCUIT, UNIVERSAL MATE-N-LOK(TM)	SIZE: A1	CAGE CODE: 00779
CUSTOMER DRAWING		SCALE: 1:1	SHEET: 1 OF 1	REV: M2

STC TE Connectivity