

| | | | | | | | |
|-----|------|-----------|-----|---------------------------|---------|-----|------|
| LOC | DIST | REVISIONS | | | | | |
| A1 | - | P | LTR | DESCRIPTION | DATE | DWN | APVD |
| | | L2 | | REVISED PER ECO-11-005150 | 28APR11 | RK | HMR |

2-12 POS. STANDARD-TIMER HOUSING
REFER DRAWING 1241965


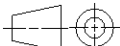
RELEASED FOR PUBLICATION

ALL RIGHTS RESERVED.

THIS DRAWING IS UNPUBLISHED.

BY

© COPYRIGHT-

| | | | | | | | |
|---|--|------------------|-----------|---|-----------|------------|---------------|
| DIMENSIONS: | | DWN | 07-NOV-06 | MATERIAL | - | FINISH | - |
| mm | | CHK | 07-NOV-06 |  TE Connectivity | | | |
| TOLERANCES UNLESS OTHERWISE SPECIFIED: | | K. Munz | 07-NOV-06 | | | | |
| 0 PLC ± | | APVD | 07-NOV-06 | | | | |
| 1 PLC ± | | Th. Klenner | | NAME | | | |
| 2 PLC ± | | PRODUCT SPEC | - | 2-12 POS. STANDARD-TIMER HOUSING | | | |
| 3 PLC ± | | APPLICATION SPEC | - | 2-12 Pol. Standard-Timer Gehäuse | | | |
| 4 PLC ± | | | | SIZE | CAGE CODE | DRAWING NO | RESTRICTED TO |
| ANGLES ± | | WEIGHT | - | A4 | - | C=928247 | - |
|  | | | | CUSTOMER DRAWING | | SCALE | - |
| | | | | SHEET | 1 | OF | 1 |
| | | | | REV | L2 | | |

Mouser Electronics

Authorized Distributor

Click to View Pricing, Inventory, Delivery & Lifecycle Information:

[TE Connectivity:](#)

[928247-8](#)