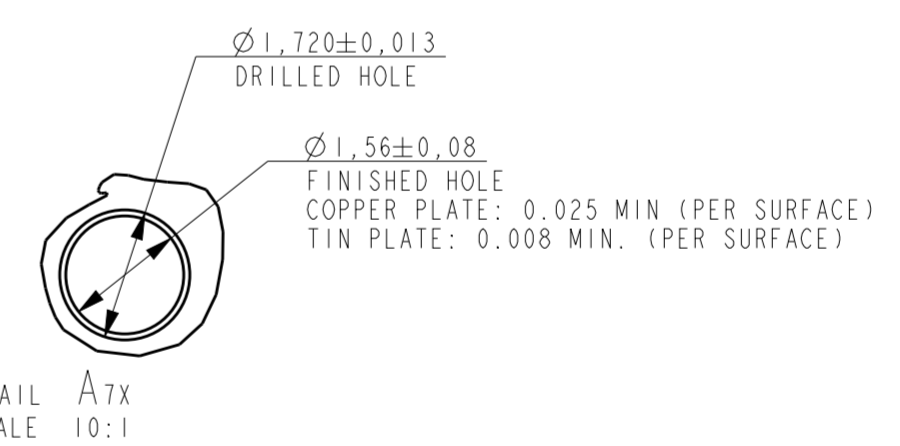
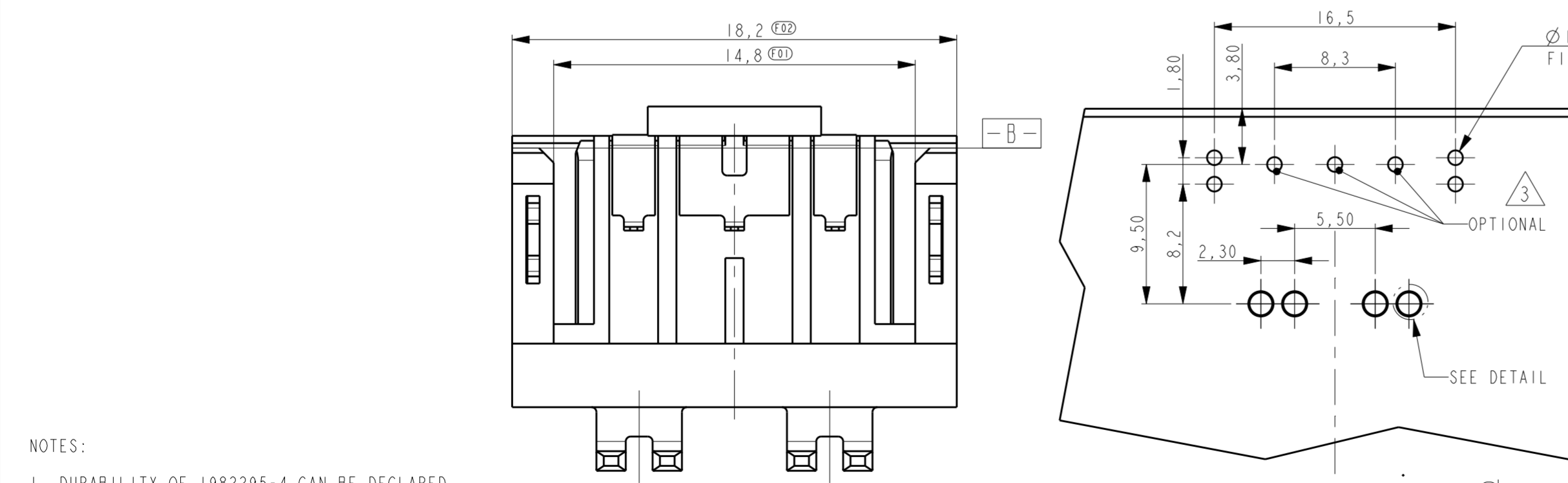
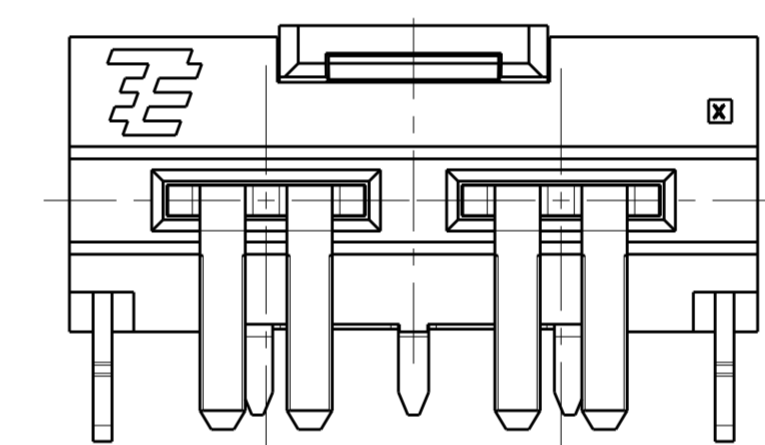
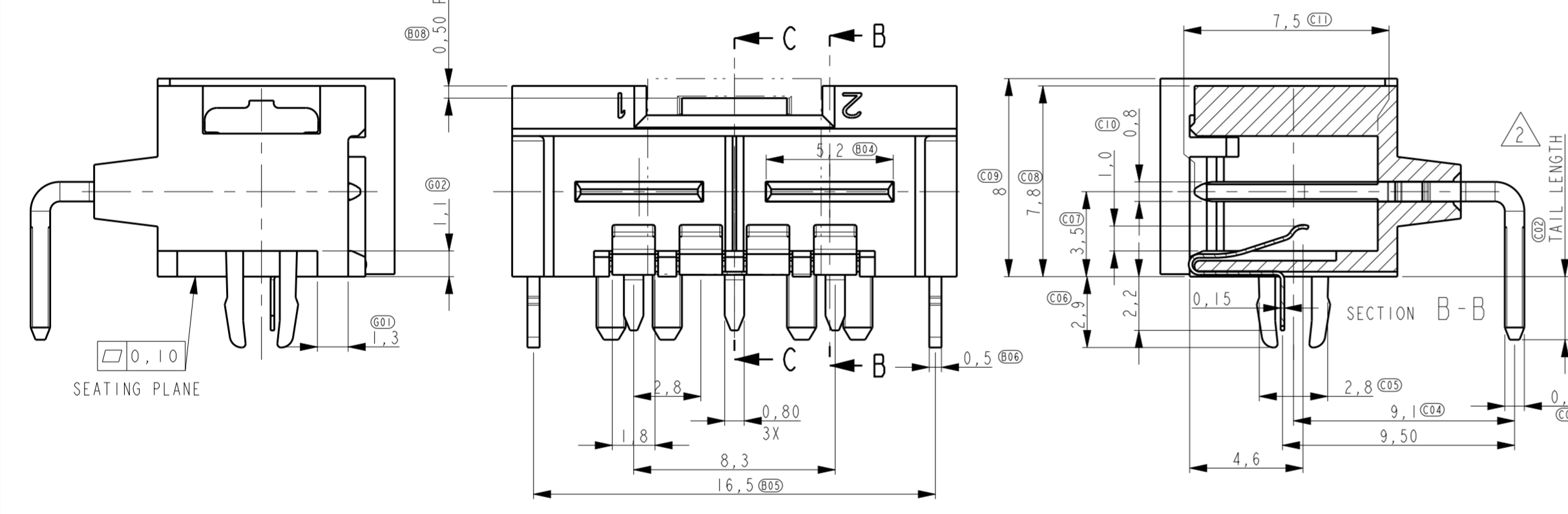
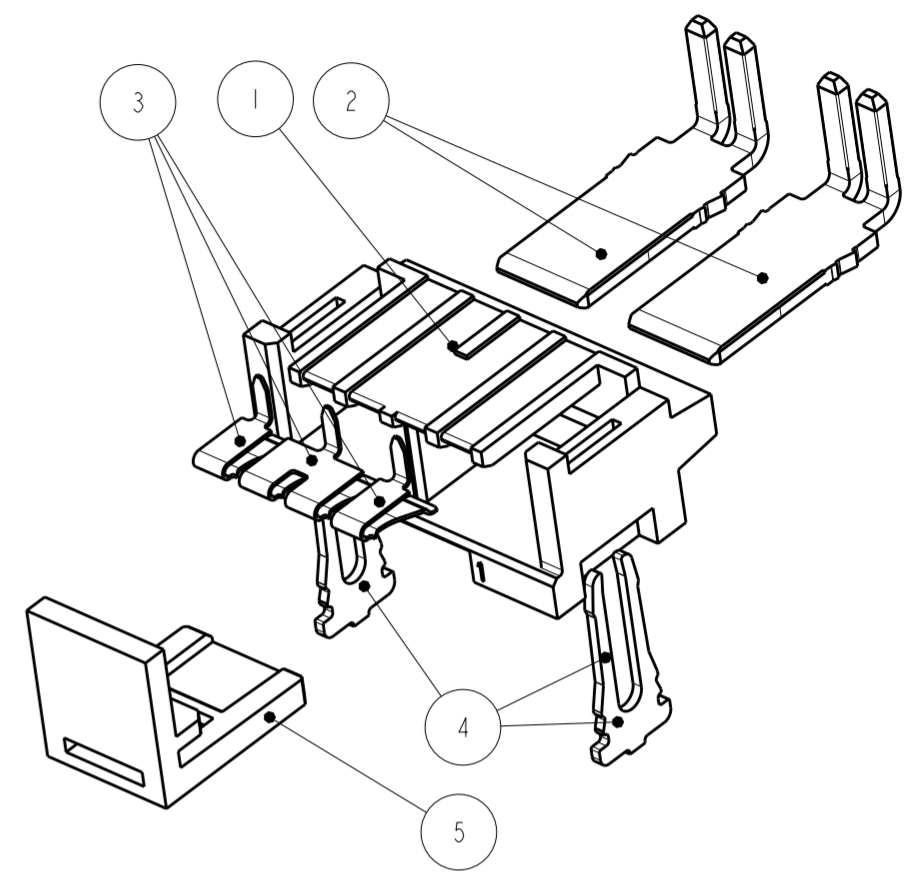
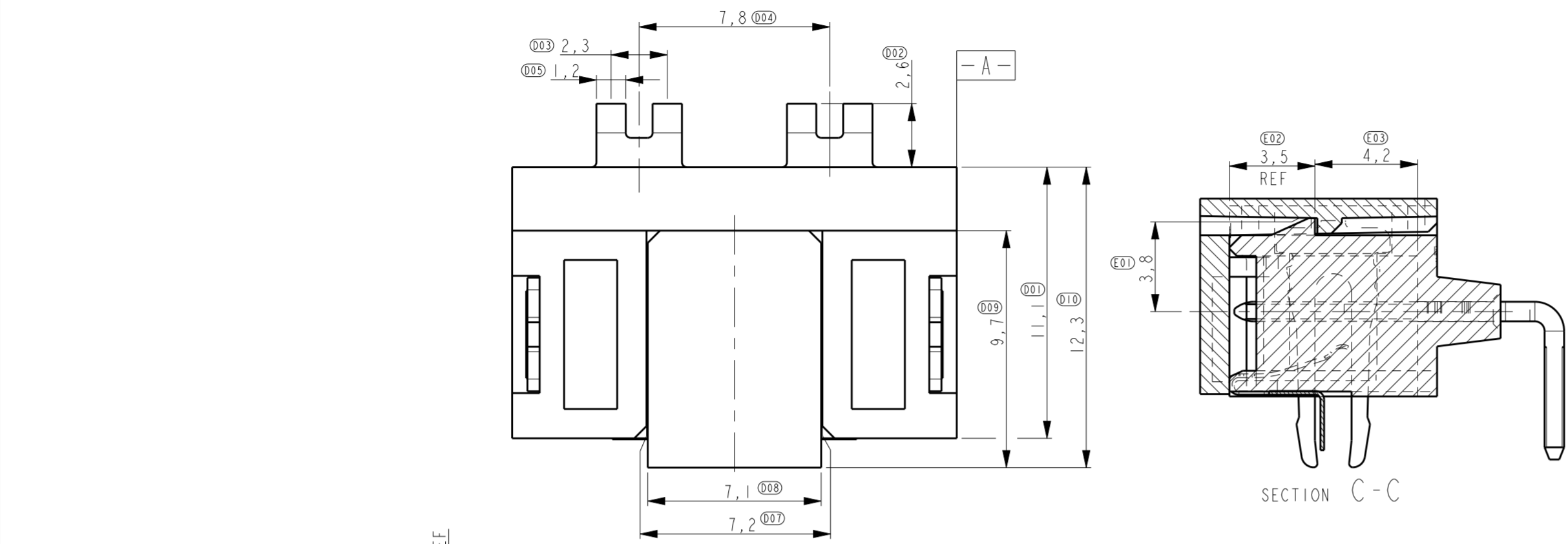


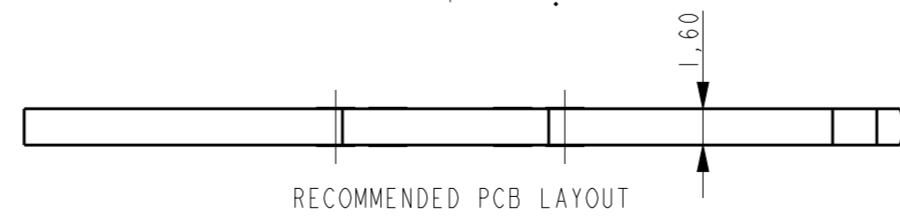
THIS DRAWING IS UNPUBLISHED. RELEASED FOR PUBLICATION
 © COPYRIGHT - TE CONNECTIVITY ALL RIGHTS RESERVED.

LOC	DIST	REVISIONS					
IR	-	P	LTR	DESCRIPTION	DATE	DWN	APVD
		B2		ADD 1982295-6	26MAR2013	OL	SZ
		C		REV PER ECO-14-014260	19SEP2014	OL	SZ
		C1		REV PER ECR-15-005263	04APR2015	SZ	SZ
		C2		REV PER ECO-16-014959	16FEB2017	WY	SZ



ITEM NO.	DESCRIPTION	MATERIAL	FINISH	QTY	QTY	QTY	QTY	QTY
5	PICK&PLACE ADAPTOR	POLYAMIDE	NA	1	-	1	1	1
4	HOLD DOWN	DIN1544 CK75	5.0 μm Sn MIN OVER 2.5 μm Ni MIN ALL OVER.	2	2	2	2	2
3	CONTACT DETECTION	COPPER ALLOY	0.8 μm Au MIN. IN CONTACT PLACE, Au FLASH IN SOLDER AREA OVER 1.27 μm Ni MIN ALL OVER	-	4	-	-	4
2	CONTACT POWER TAB	COPPER ALLOY	1.2 μm Ni MIN. ALL OVER 0.8 μm Au MIN AT MATING ZONE 0.1-0.15 μm Au AT SOLDER ZONE	2	-	2	-	-
2	CONTACT POWER TAB	COPPER ALLOY	3.0 μm Ag MIN ALL OVER.	-	2	-	2	2
1	HOUSING	LCP GF UL94V-0	NA	1	1	1	1	1

NOTES:
 1. DURABILITY OF 1982295-4 CAN BE DECLARED ONLY AFTER TESTING.
 2. TAIL LENGTH IS 3.6^{+0.10}/_{-0.20} MM FOR -6, OTHERS ARE 2.6 MM
 3. OPTIONAL, THEY ARE REQUIRED WHEN CODING CONTACTS NEEDED.



ITEM NO.	DESCRIPTION	MATERIAL	FINISH	QTY	QTY	QTY	QTY	QTY
5	PICK&PLACE ADAPTOR	POLYAMIDE	NA	1	-	1	1	1
4	HOLD DOWN	DIN1544 CK75	5.0 μm Sn MIN OVER 2.5 μm Ni MIN ALL OVER.	2	2	2	2	2
3	CONTACT DETECTION	COPPER ALLOY	0.8 μm Au MIN. IN CONTACT PLACE, Au FLASH IN SOLDER AREA OVER 1.27 μm Ni MIN ALL OVER	-	4	-	-	4
2	CONTACT POWER TAB	COPPER ALLOY	1.2 μm Ni MIN. ALL OVER 0.8 μm Au MIN AT MATING ZONE 0.1-0.15 μm Au AT SOLDER ZONE	2	-	2	-	-
2	CONTACT POWER TAB	COPPER ALLOY	3.0 μm Ag MIN ALL OVER.	-	2	-	2	2
1	HOUSING	LCP GF UL94V-0	NA	1	1	1	1	1

THIS DRAWING IS A CONTROLLED DOCUMENT.

DWN	R. Annokkee	16-Feb-17
CHK	R. Annokkee	16-Feb-17
APVD	J. Broeksteeg	16-Feb-17

TE Connectivity
ELCON Mini, 2-position header right-angle

108-19346
 APPLICATION SPEC
 114-19110

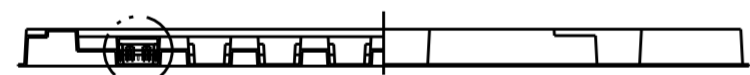
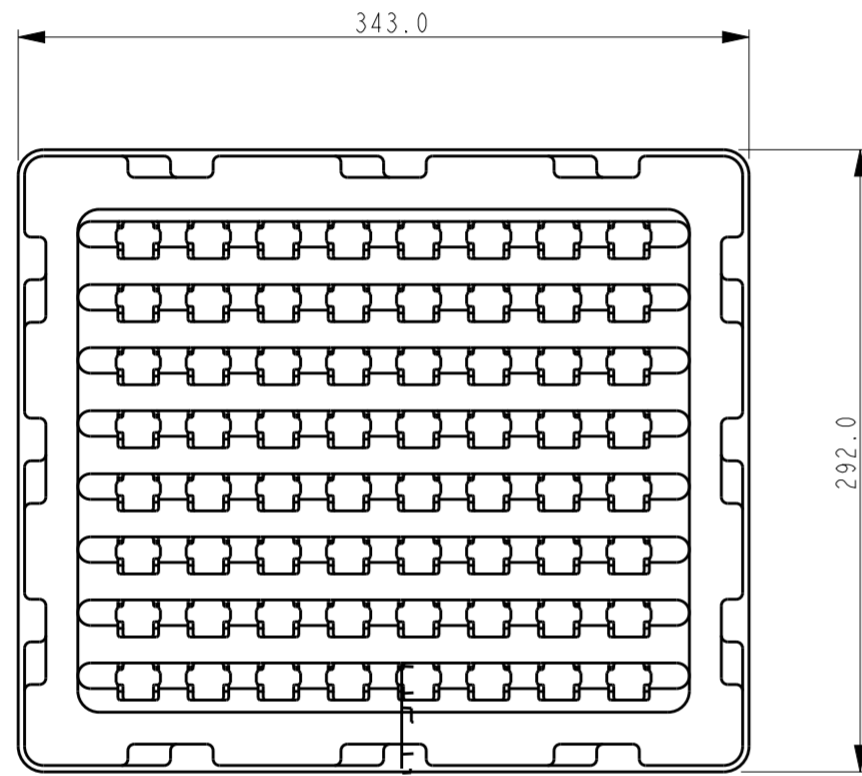
Customer Drawing

SCALE 5:1 SHEET 1 OF 2 REV C2

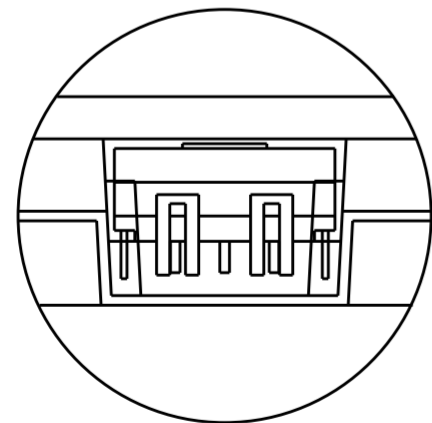
THIS DRAWING IS UNPUBLISHED. RELEASED FOR PUBLICATION
 © COPYRIGHT - TE CONNECTIVITY ALL RIGHTS RESERVED.

LOC	DIST	REVISIONS			
P	LTR	DESCRIPTION	DATE	DWN	APVD
IR	-	SEE SHEET 1	-	-	-

NOTES:
 1. TRAY (PN 3178822-1) PACKAGING IS ONLY FOR PN 1982295-5.

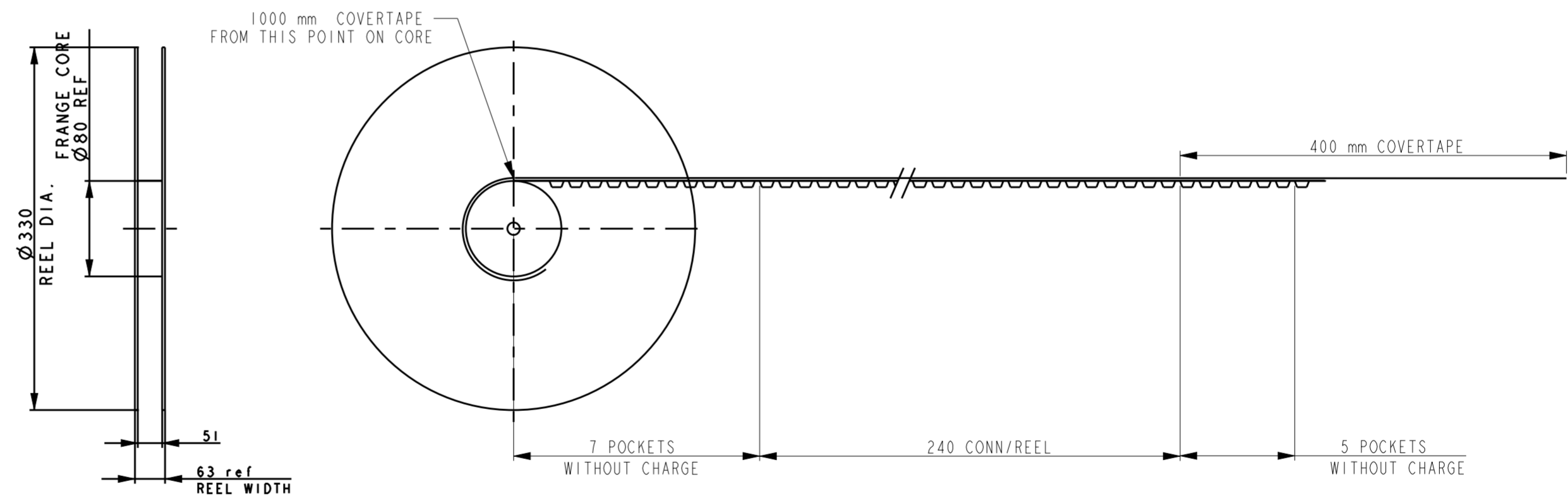
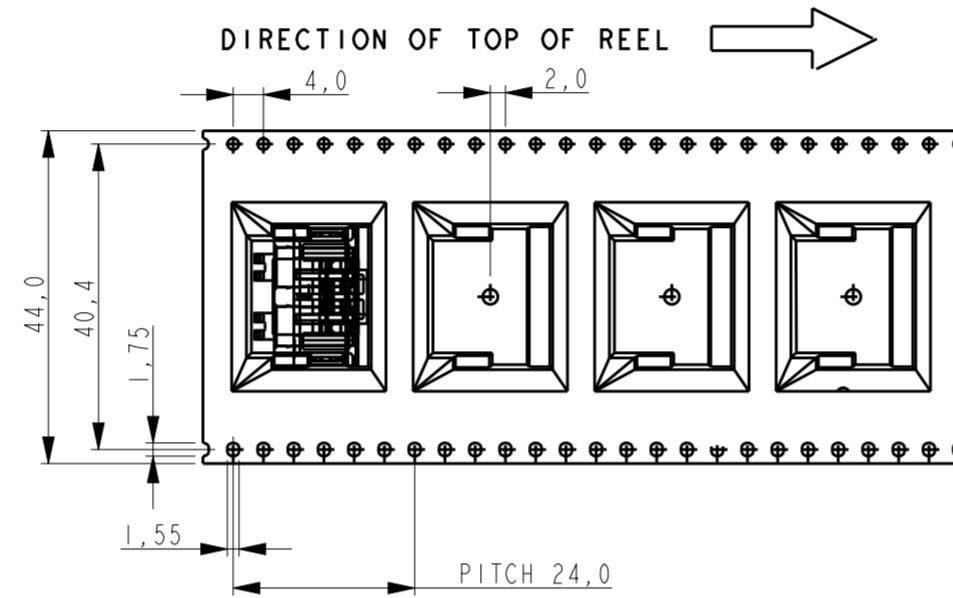


SEE DETAIL B



DETAIL B

DO NOT SCALE



NOTES:

- 1 MATERIAL: TRANSPARENT POLYSTYRENE ALLOY.
- 2 10 SPROCKET HOLES PITCH CUMULATIVE TOLERANCE +/-0,20.
- 3 CARRIER CAMBER IS WITHIN 1 mm IN 250 mm.
- 4 ALL DIMENSIONS MEET EIA-481-C REQUIREMENTS.
- 5 THICKNESS: 0,50±0,05mm.
- 6 REEL PACKAGING ONLY FOR OTHER PART NUMBERS.

THIS DRAWING IS A CONTROLLED DOCUMENT.		DWN R. Annokkee 16-Feb-17	TE Connectivity	
DIMENSIONS: mm		CHK R. Annokkee 16-Feb-17		
TOLERANCES UNLESS OTHERWISE SPECIFIED:		APVD J. Broeksteeg 16-Feb-17	PRODUCT SPEC 108-19346	SIZE A2
0 PLC ±0,5		APPLICATION SPEC 114-19110	CAGE CODE 00779	DRAWING NO G-1982295
1 PLC ±0,1		WEIGHT -	RESTRICTED TO -	SCALE 5:1
2 PLC ±0,05		MATERIAL -	Customer Drawing	SHEET 2 OF 2
3 PLC ±				REV C2
4 PLC ±				
ANGLES ±2				
FINISH				

Mouser Electronics

Authorized Distributor

Click to View Pricing, Inventory, Delivery & Lifecycle Information:

[TE Connectivity:](#)

[1982295-2](#)