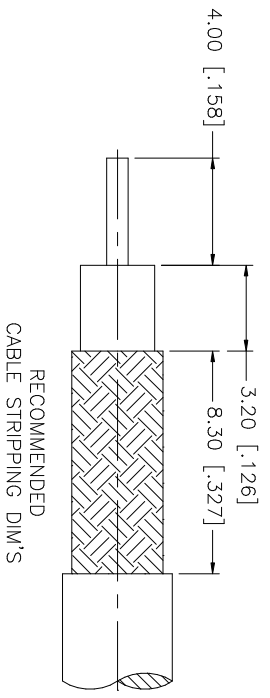
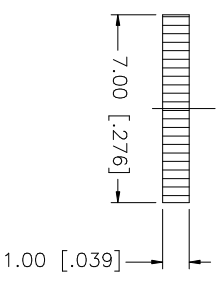
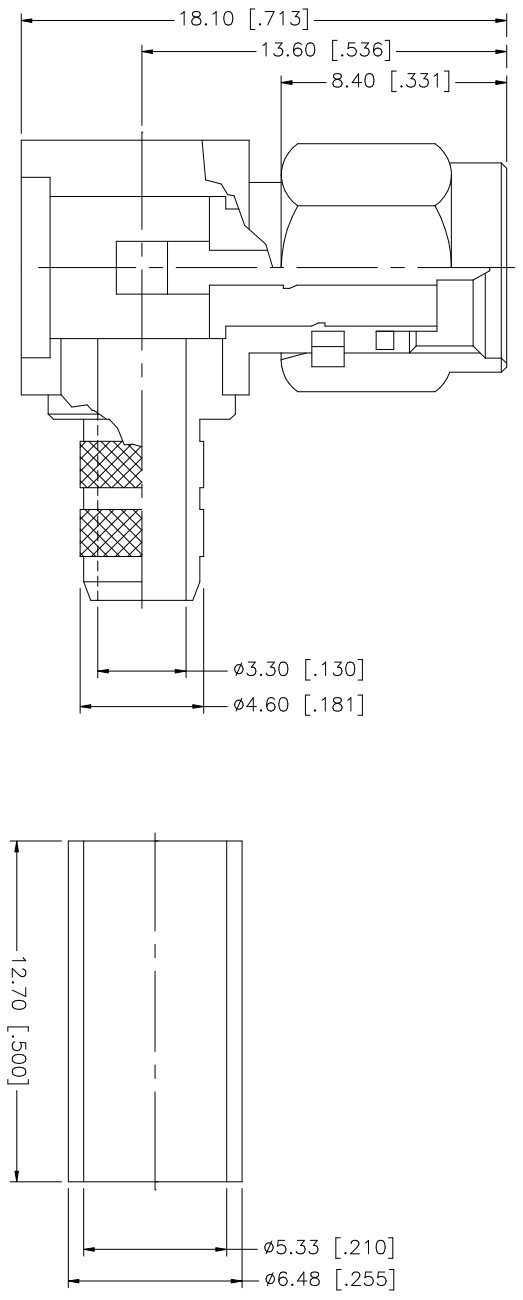


REV.	DATE	DESCRIPTION
NC	08/01/05	INITIAL RELEASE



QTY	FINISH	MATERIAL	DESCRIPTION
1	GOLD	COPPER	FERRULE
1	GOLD	BRASS	COVER
1	GOLD	BER. COPPER	CONTACT PIN
1	NATURAL	TEFLON	INSULATOR
1	GOLD	BRASS	BODY

DATE	APPROVALS	CAD FILE
08/01/05	G.R.S.	C:/132/132235RP.DWG

DATE	DESCRIPTION
08/01/05	SMA REVERSE POLARITY R/A CRIMP PLUG - LMR200

REV.	DATE	DESCRIPTION
NC	08/01/05	INITIAL RELEASE

Amphenol Connex

SMA REVERSE POLARITY R/A
CRIMP PLUG - LMR200

132235RP

DWG. NO. 132235RP.DWG REV. NC SIZE A SCALE NA

Mouser Electronics

Authorized Distributor

Click to View Pricing, Inventory, Delivery & Lifecycle Information:

[Amphenol:](#)

[132235RP](#)