

# Customer Information Sheet

DRAWING No.: Z80-290

SHEET 2 OF 2

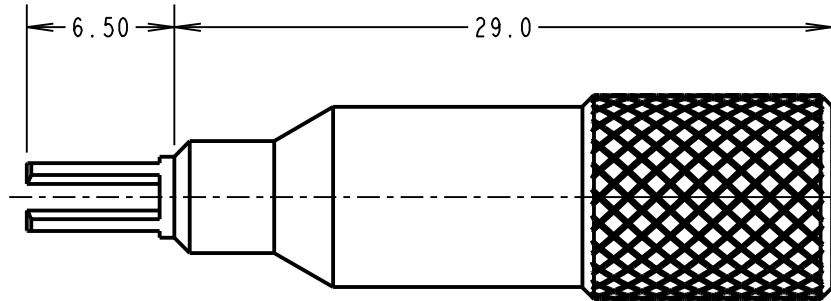
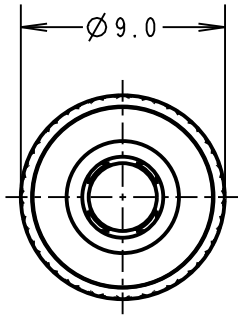
IF IN DOUBT - ASK

©

NOT TO SCALE

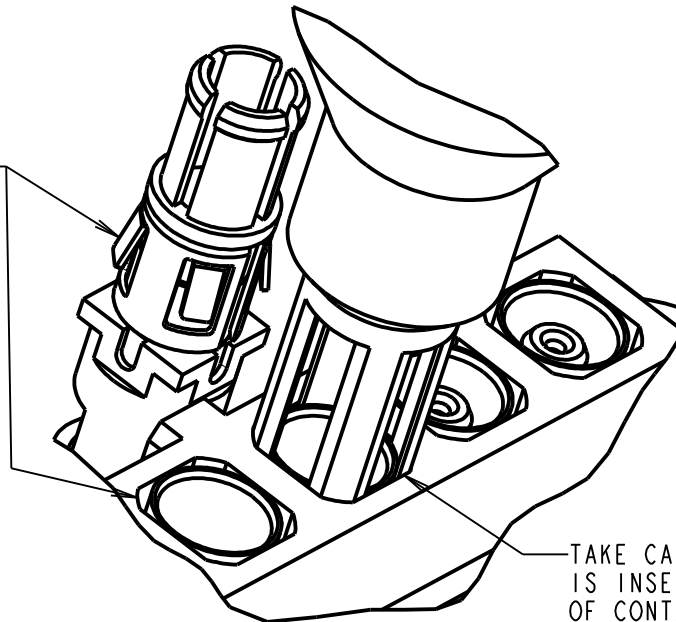
THIRD ANGLE PROJECTION

ALL DIMENSIONS IN mm

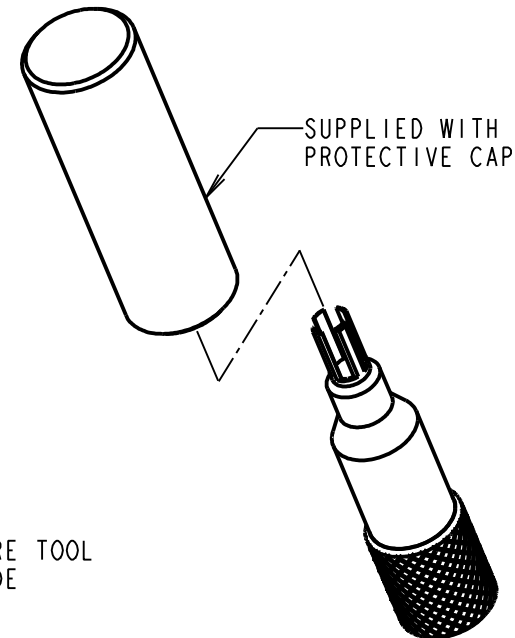


FOR REMOVAL OF CONTACT PART No.:
M80-305, M80-306, M80-307
M80-308, M80-309
M80-315, M80-316, M80-317
M80-318, M80-319
M80-325, M80-326, M80-327, M80-328, M80-329
M80-32A, M80-32B, M80-32C
M80-335, M80-336, M80-337, M80-338, M80-339

LINE UP TOOL WITH RETENTION FEATURE AND INSERT TO RELEASE CONTACT FROM MOULDING



TAKE CARE TO ENSURE TOOL IS INSERTED OUTSIDE OF CONTACT



SUPPLIED WITH PROTECTIVE CAP

SB	4	03.09.14	12561
NAME	ISS.	DATE	C/NOTE
APPROVED:		S.BENNETT	
CHECKED:		M.PLESTED	
DRAWN:		J.BROOKES	
CUSTOMER REF.:			
ASSEMBLY DRG.:			

## HARWIN

www.harwin.com  
technical@harwin.com

THIS DRAWING AND ANY INFORMATION OR DESCRIPTIVE MATTER SET OUT HEREON ARE CONFIDENTIAL AND COPYRIGHT PROPERTY OF THE HARWIN GROUP AND MUST NOT BE DISCLOSED, LOANED, COPIED OR USED FOR MANUFACTURING, TENDERING OR FOR ANY OTHER PURPOSE WITHOUT THEIR WRITTEN PERMISSION.

### TOLERANCES

X. = ±1mm  
X.X = ±0.25mm  
X.XX = ±0.10mm  
X.XXX = ±0.01mm  
ANGLES = ±5°  
UNLESS STATED

### MATERIAL:

TOOL = STAINLESS STEEL  
CAP = BLACK NYLON

### FINISH:

### S/AREA:

mm<sup>2</sup>

### TITLE:

MIX TEK SPECIAL CONTACT  
REMOVAL TOOL

### DRAWING NUMBER:

Z80-290

SHT  
2  
OF  
2

# Mouser Electronics

Authorized Distributor

Click to View Pricing, Inventory, Delivery & Lifecycle Information:

[Harwin:](#)

[Z80-290](#)