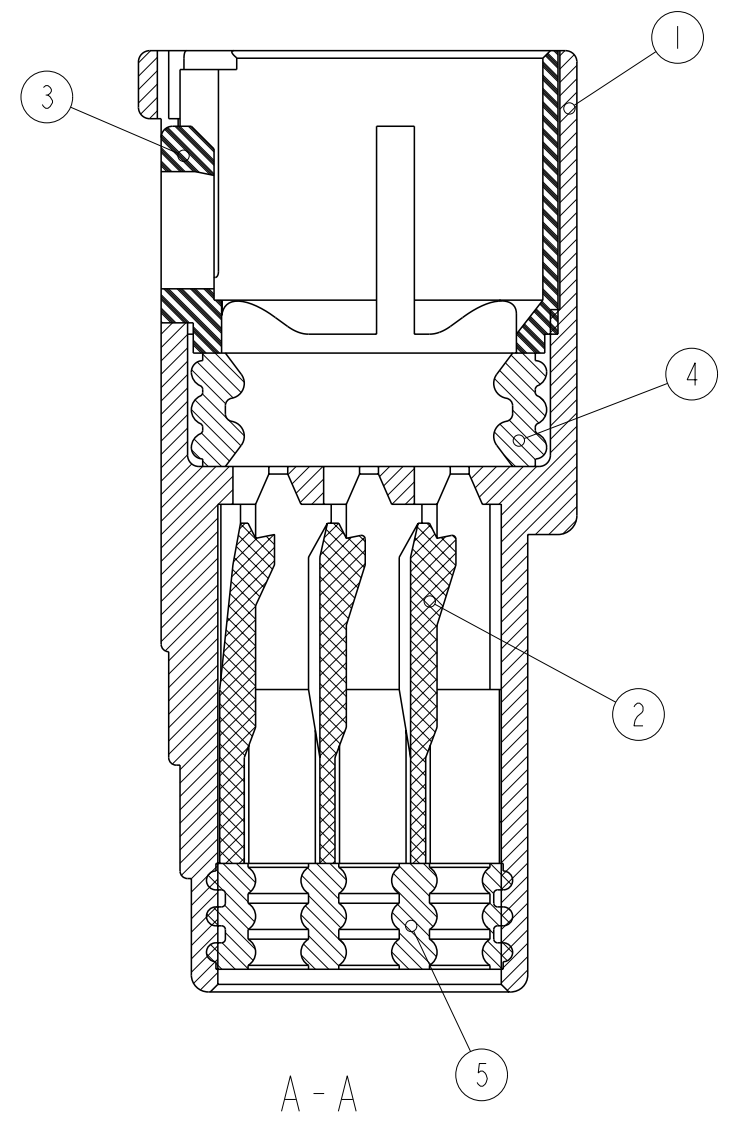
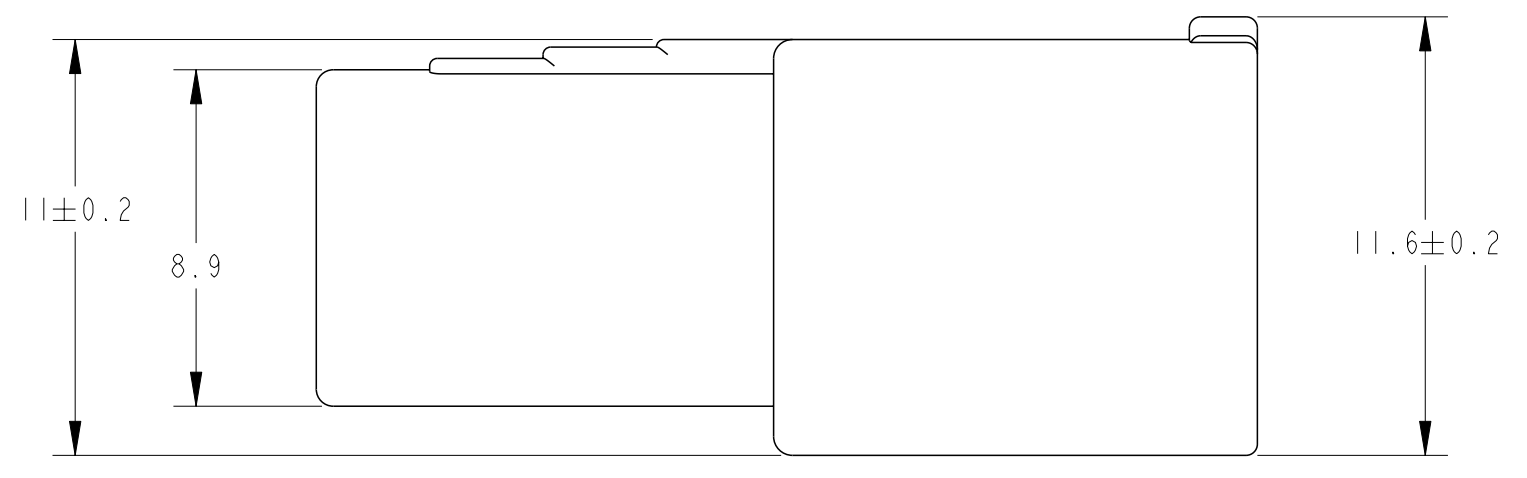
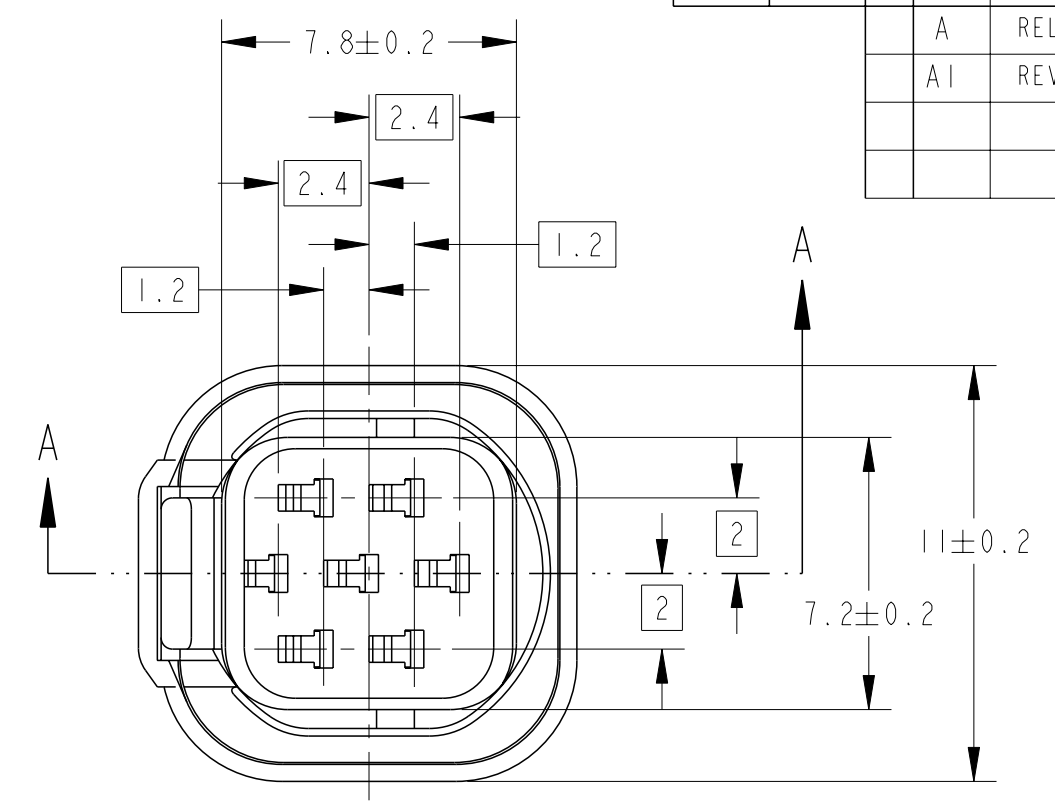
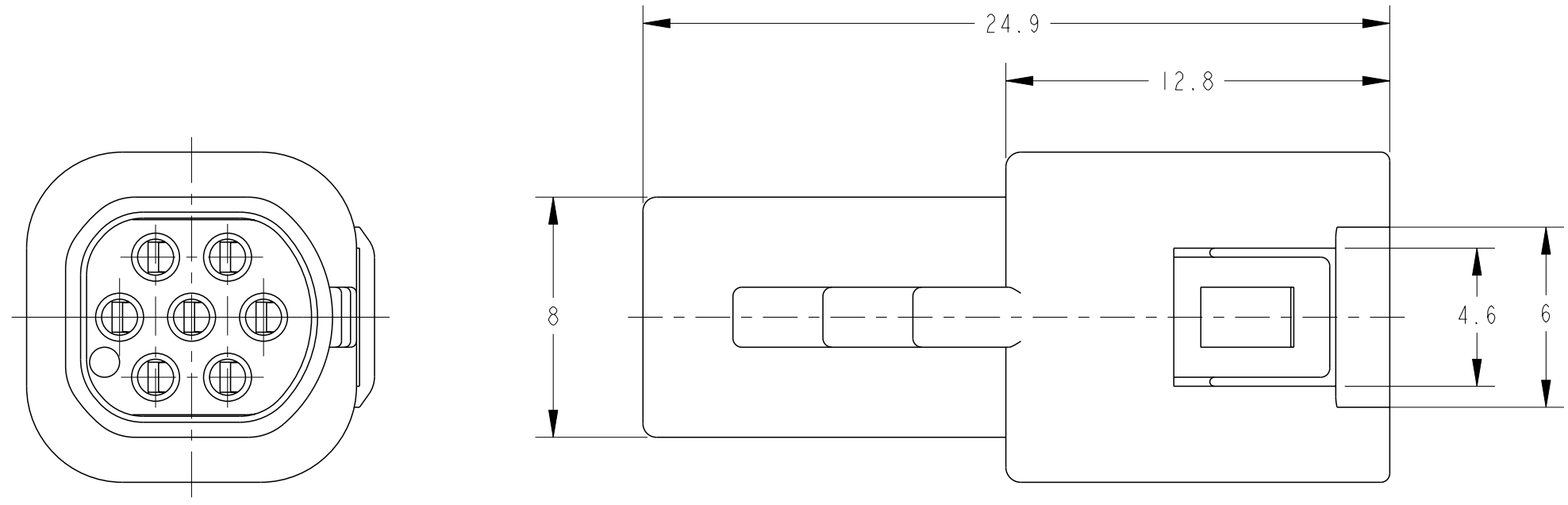


THIS DRAWING IS UNPUBLISHED. RELEASED FOR PUBLICATION MAY, 2014
 © COPYRIGHT 2014 ALL RIGHTS RESERVED.

LOC	DIST	REVISIONS					
J	-	P	LTR	DESCRIPTION	DATE	DWN	APVD
		A		RELEASED	09JUN14	DM	TK
		A1		REVISED ECR-14-016391	06NOV14	DM	TK



- 1. THE MATING PLUG HSG P/N 2822343
- 2. APPLIED CONTACT P/N 917309
- 3. APPLICABLE PRODUCT SPEC. No. 108-5426
- 4. INSTRUCTION SHEET: 412-5653
- 5. SEAL RUBBER IS NON-BIS TYPE

- 1. 嵌合相手ハウジング型番: 2822343
- 2. 内装するタブコンタクト型番: 917309
- 3. 適用製品規格番号: 108-5426-1
- 4. 取扱説明書: 412-5653-1
- 5. シールラバーはフタル酸フリー品である。

-	-	-	-	-	7POSITION CAP HOUSING (YELLOW)	1
-	-	-	-	-	7POSITION CAP HOUSING (GRAY)	1
-	-	-	-	-	7POSITION CAP HOUSING (BLACK)	1
-	-	-	-	-	7POSITION CAP HOUSING (NATURAL)	1
-	-	-	-	-	SEAL RUBBER (BLACK)	5
-	-	-	-	-	SEAL RING (LIGHT GRAY)	4
-	-	-	-	-	SEAL RING HOLDER (GREEN)	3
-	-	-	-	-	7POSITION HOUSING LANCE (GREEN)	2
-	-	-	-	-	7POSITION CAP HOUSING (GREEN)	1
2822344-5	2822344-4	2822344-3	2822344-2	2822344-1	NAME & COLOR	ITEM NO.

TOLERANCE UNLESS OTHERWISE SPECIFIED:	
10±	±0.2
30±	>10 ±0.25
100±	>30 ±0.3
ANGLE	±0.3°

THIS DRAWING IS A CONTROLLED DOCUMENT.	
DIMENSIONS: 単位: 桁 (mm)	TOLERANCES UNLESS OTHERWISE SPECIFIED:
0 PLC ±0.1	1 PLC ±0.1
1 PLC ±0.01	2 PLC ±0.01
2 PLC ±0.001	3 PLC ±0.001
3 PLC ±0.0001	4 PLC ±0.0001
4 PLC ±0.0001	ANGLES ±1°00'
MATERIAL 材料 PBT G	FINISH 仕上 SEE TABLE

DWN D. MATSUURA 09JUN2014	TE Connectivity 7POSITION CAP HOUSING MINI MULTILOCK CONNECTOR	SIZE A2	CAGE CODE 00779	DRAWING NO. C-2822344	RESTRICTED TO -
CHK T. KOHNO 09JUN2014		SCALE 5:1	SHEET 1	OF 1	REV A1
APVD T. KOHNO 09JUN2014		CUSTOMER DRAWING			

Mouser Electronics

Authorized Distributor

Click to View Pricing, Inventory, Delivery & Lifecycle Information:

[TE Connectivity:](#)

[2822344-1](#)