

I/O module - ILB DN 24 DI16 DO16 - 2862602

Please be informed that the data shown in this PDF Document is generated from our Online Catalog. Please find the complete data in the user's documentation. Our General Terms of Use for Downloads are valid (<http://phoenixcontact.com/download>)

Inline, Block IO, DeviceNet™, TWIN COMBICON, Digital inputs: 16, 24 V DC, 3-conductor, Digital outputs: 16, 24 V DC, 500 mA, 3-conductor, Degree of protection IP20, including Inline connector



Product Features

- 2 x 5-pos. TWIN-COMBICON plug
- 16 outputs, 24 V DC, 500 mA
- 16 inputs, 24 V DC



Key Commercial Data

Packing unit	1 pc
Weight per Piece (excluding packing)	517.1 g
Custom tariff number	85389091
Country of origin	Germany

Technical data

Note

Utilization restriction	EMC: class A product, see manufacturer's declaration in the download area
-------------------------	---

Dimensions

Width	156 mm
Height	141 mm
Depth	57 mm
Note on dimensions	Specifications with connectors

Ambient conditions

Ambient temperature (operation)	-25 °C ... 60 °C
Ambient temperature (storage/transport)	-25 °C ... 85 °C
Permissible humidity (operation)	85 % (non-condensing)

I/O module - ILB DN 24 DI16 DO16 - 2862602

Technical data

Ambient conditions

Permissible humidity (storage/transport)	95 % (non-condensing)
Air pressure (operation)	80 kPa ... 108 kPa (up to 2000 m above mean sea level)
Air pressure (storage/transport)	66 kPa ... 108 kPa (up to 3500 m above mean sea level)
Degree of protection	IP20

General

Mounting type	DIN rail
Net weight	500 g
Note on weight specifications	with connectors
Mounting type	NS 35/7,5

Interfaces

Fieldbus system	DeviceNet™
Designation	DeviceNet™
Connection method	TWIN COMBICON
Transmission speed	125 kBit/s ... 500 kBit/s
Number of positions	10

Power supply for module electronics

Supply voltage	24 V DC
Supply voltage range	19.2 V DC ... 30 V DC (including all tolerances, including ripple)
Supply current	70 mA
Current consumption	approx. 25 mA

Digital inputs

Input name	Digital inputs
Description of the input	EN 61131-2 type 1
Connection method	Spring-cage connection
	3-conductor
Number of inputs	16
Typical response time	approx. 500 µs
Protective circuit	Short-circuit protection, overload protection of the sensor supply
Input voltage	24 V DC
Input voltage range "0" signal	-30 V DC ... 5 V DC
Input voltage range "1" signal	15 V DC ... 30 V DC
Nominal input current at U _{IN}	5 mA

Digital outputs

Output name	Digital outputs
Connection method	Spring-cage connection

I/O module - ILB DN 24 DI16 DO16 - 2862602

Technical data

Digital outputs

	3-conductor
Number of outputs	16
Protective circuit	Short-circuit and overload protection
Output voltage	24 V DC
Nominal output voltage	24 V DC
Maximum output current per channel	500 mA
Maximum output current per module / terminal block	8 A
Maximum output current per module	8 A
Nominal load, inductive	12 VA
Nominal load, lamp	12 W
Nominal load, ohmic	12 W

Standards and Regulations

Conformity with EMC directives	EN 55011:1998+A1:1999 Class A
Test section	I/Os / logic 500 V AC 50 Hz 1 min.
	I/Os / FE 500 V AC 50 Hz 1 min.
	Logic / functional earth ground 500 V AC 50 Hz 1 min.
Noise emission	Industrial environment
Mechanical tests	Vibration resistance in acc. with EN 60068-2-6/IEC 60068-2-6 5g
	Shock in acc. with EN 60068-2-27/IEC 60068-2-27 25g
Connection in acc. with standard	CUL

Classifications

eCl@ss

eCl@ss 4.0	27250302
eCl@ss 4.1	27250302
eCl@ss 5.0	27250302
eCl@ss 5.1	27242604
eCl@ss 6.0	27242604
eCl@ss 7.0	27242604
eCl@ss 8.0	27242604
eCl@ss 9.0	27242604

ETIM

ETIM 2.0	EC001430
ETIM 3.0	EC001599
ETIM 4.0	EC001599

I/O module - ILB DN 24 DI16 DO16 - 2862602

Classifications

ETIM

ETIM 5.0	EC001599
----------	----------

UNSPSC

UNSPSC 6.01	43172015
UNSPSC 7.0901	43201404
UNSPSC 11	43172015
UNSPSC 12.01	43201404
UNSPSC 13.2	43201404

Approvals

Approvals

Approvals

UL Recognized / cUL Recognized / DeviceNet / cULus Recognized

Ex Approvals

UL Listed / cUL Listed / cULus Listed

Approvals submitted

Approval details

UL Recognized

cUL Recognized

DeviceNet

cULus Recognized

I/O module - ILB DN 24 DI16 DO16 - 2862602

Accessories

Accessories

End block

End clamp - CLIPFIX 35-5 - 3022276



Quick mounting end clamp for NS 35/7,5 DIN rail or NS 35/15 DIN rail, with marking option, with parking option for FBS...5, FBS...6, KSS 5, KSS 6, width: 5.15 mm, color: gray

Labeling panel

Labeling field - IB IL FIELD 2 - 2727501

Labeling field, width: 12.2 mm



Plug

Inline connector - IB IL SCN-PWR IN-CP - 2727637



Connector, colored, for Inline power and segment terminal blocks

Inline connector - IB IL SCN-12-ICP - 2727611



Connector, color coded, for digital 4, or 16-channel Inline input terminals

I/O module - ILB DN 24 DI16 DO16 - 2862602

Accessories

Inline connector - IB IL SCN-12-OCP - 2727624



Connector, colored identification, for digital 4, or 16-channel Inline output terminal blocks

Plug - TMSTBP 2,5/ 5-STF-5,08 GNAU CP - 2862576



TWIN-COMBICON plug for CANopen® and DeviceNet™ connection

Terminal marking

Insert strip - ESL 62X10 - 0809492



Insert strip, Sheet, white, unlabeled, can be labeled with: Office printing systems, Plotter: Laser printer, Mounting type: Insert, Lettering field: 62 x 10 mm

Flat zack marker sheet - ZBFM 6/WH:UNBEDRUCKT - 0803618

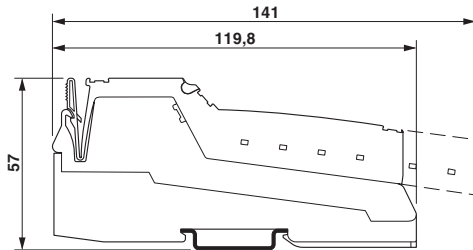


Flat zack marker sheet, Sheet, white, unlabeled, can be labeled with: Plotter, Mounting type: Snap into flat marker groove, for terminal block width: 6.2 mm, Lettering field: 5 x 5.5 mm

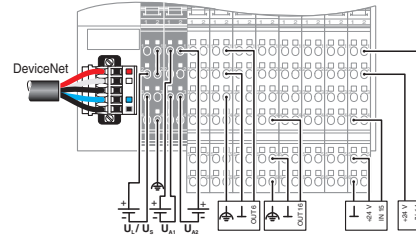
Drawings

I/O module - ILB DN 24 DI16 DO16 - 2862602

Dimensional drawing

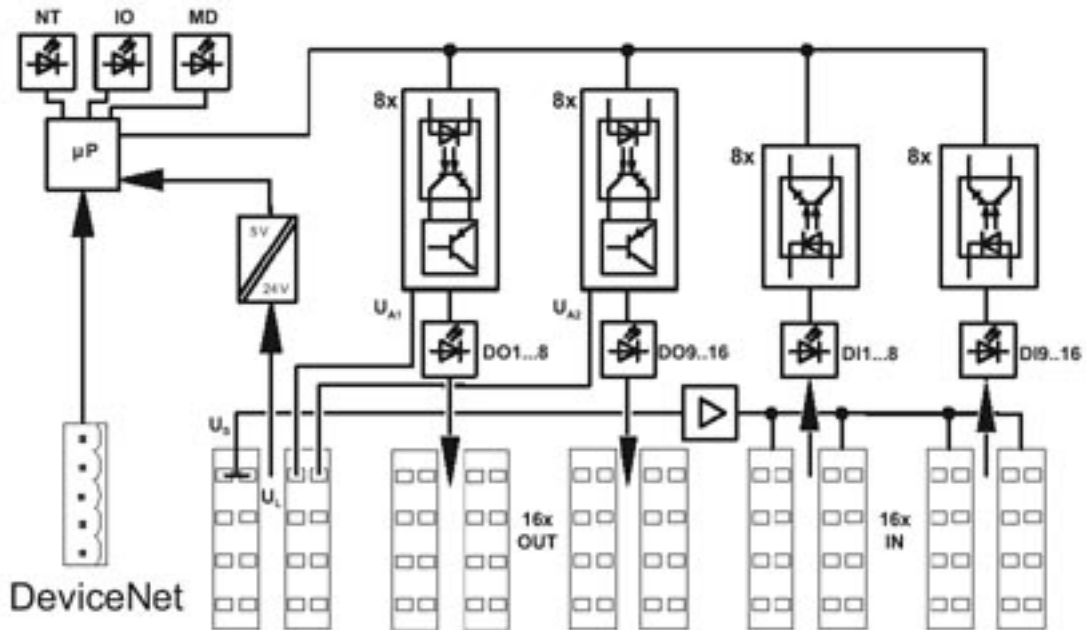


Connection diagram



The illustration shows the general dimensional drawing of the Inline Block I/O product family

Block diagram



Mouser Electronics

Authorized Distributor

Click to View Pricing, Inventory, Delivery & Lifecycle Information:

[Phoenix Contact:](#)

[2862602](#)