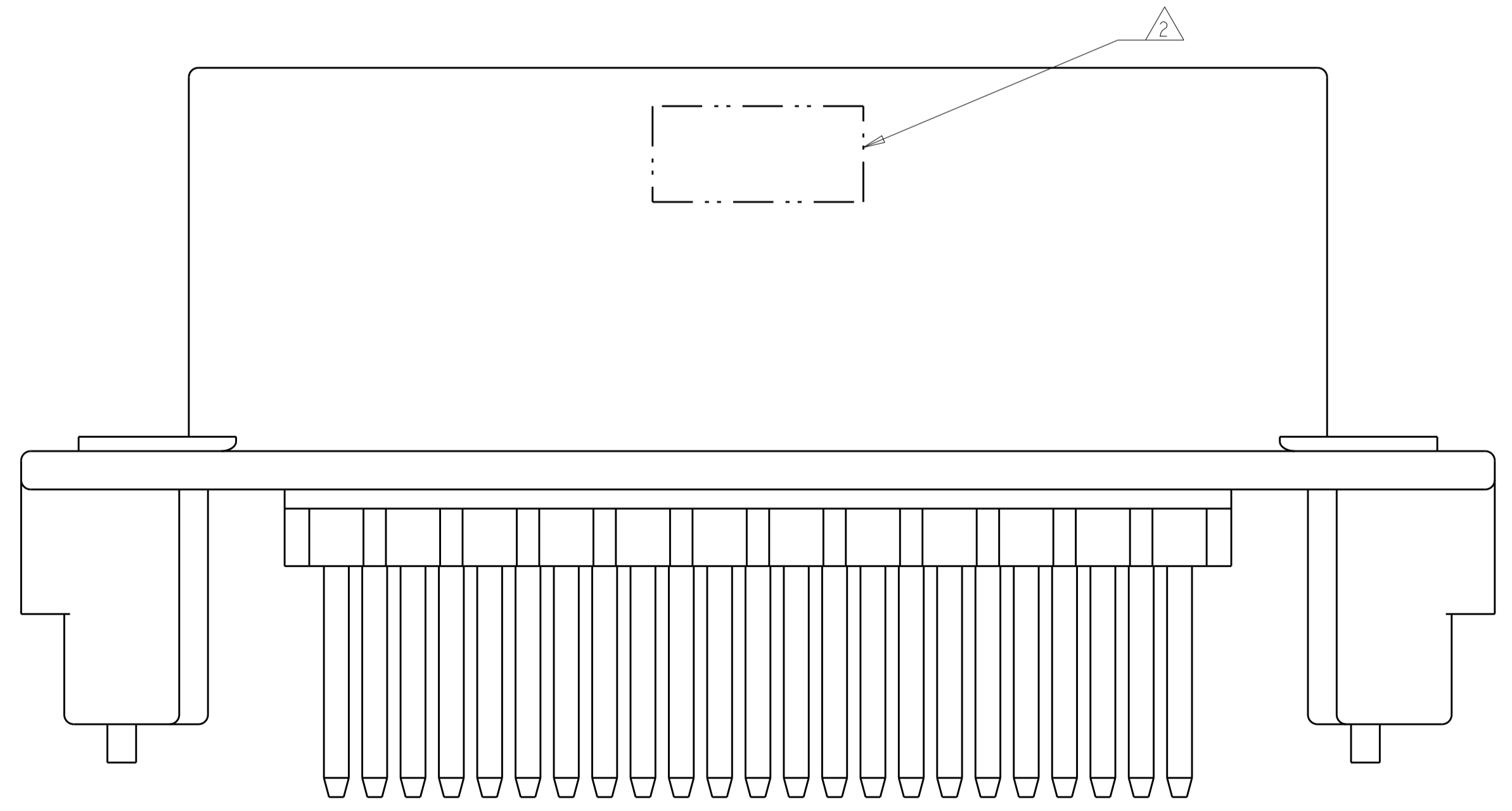
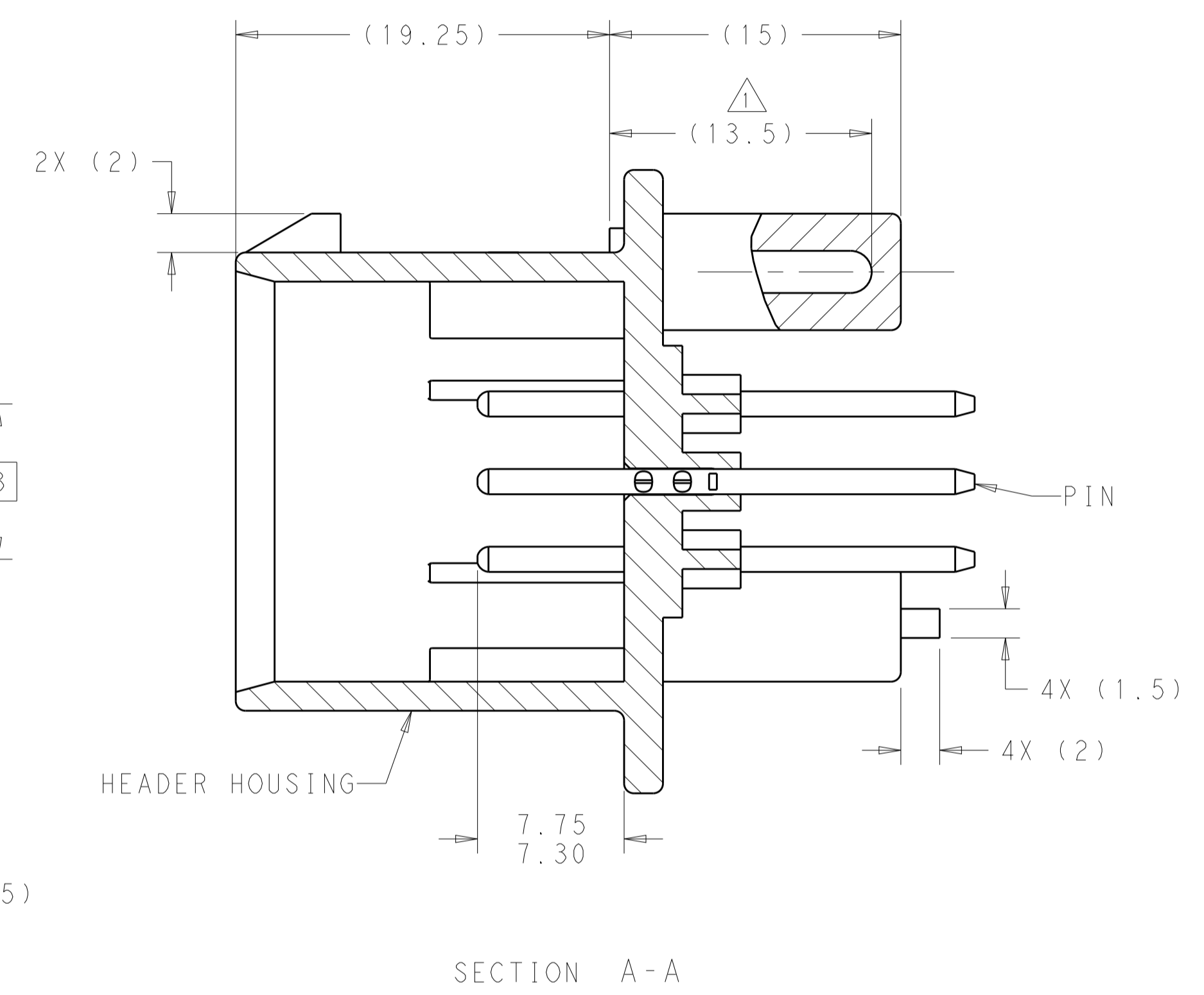
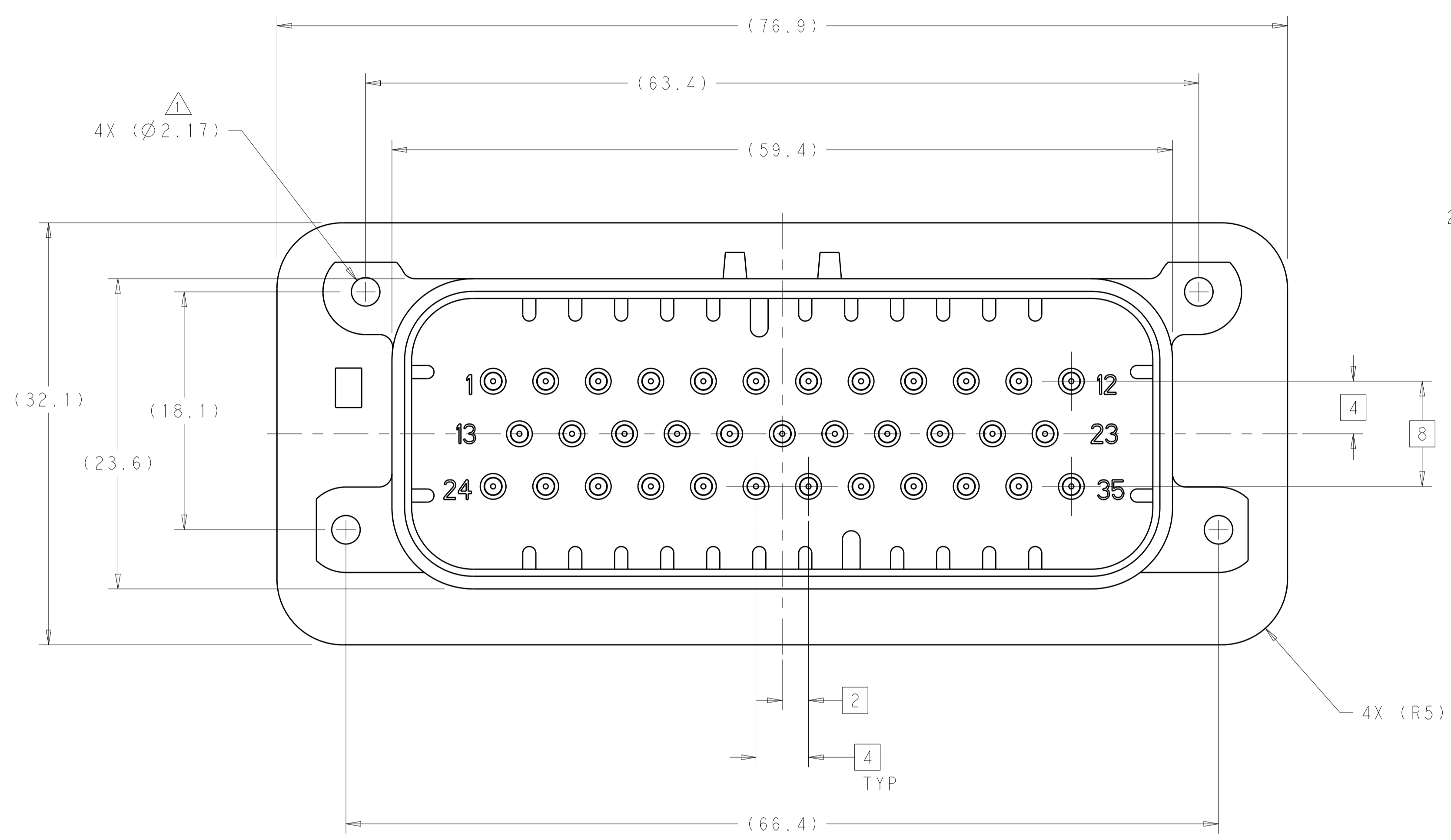


REVISIONS				
P.	LTN	DESCRIPTION	DATE	APVD
A8		REVISED PER ECO-15-003872	25MAR2015	DD DS
A9		REVISED PER ECO-16-003526	09MAR2016	JM DS

- 1 ACCEPTS #3 SELF TAPPING THREAD FORMING SCREWS OR METRIC EQUIVALENT. DRIVE TO 0.6-0.8 N-m
- 2 DATE CODE IN THIS LOCATION USING 5 DIGIT CODE  
FIRST 2 DIGITS = YEAR, SECOND 2 DIGITS = WEEK  
LAST DIGIT = DAY.
- 3 MATERIALS: HEADER HOUSING - GLASS FILLED PBT  
PINS - TIN OR GOLD PLATED BRASS
- 4 HOUSING COLORS ARE MECHANICALLY KEYED TO MATE ONLY WITH IDENTICALLY COLORED PLUG ASSEMBLIES.
- 5. HEADER MATES TO PLUG ASSEMBLY 776164 WHICH USES REELED TERMINAL 770520 OR LOOSE PIECE TERMINAL 770854.

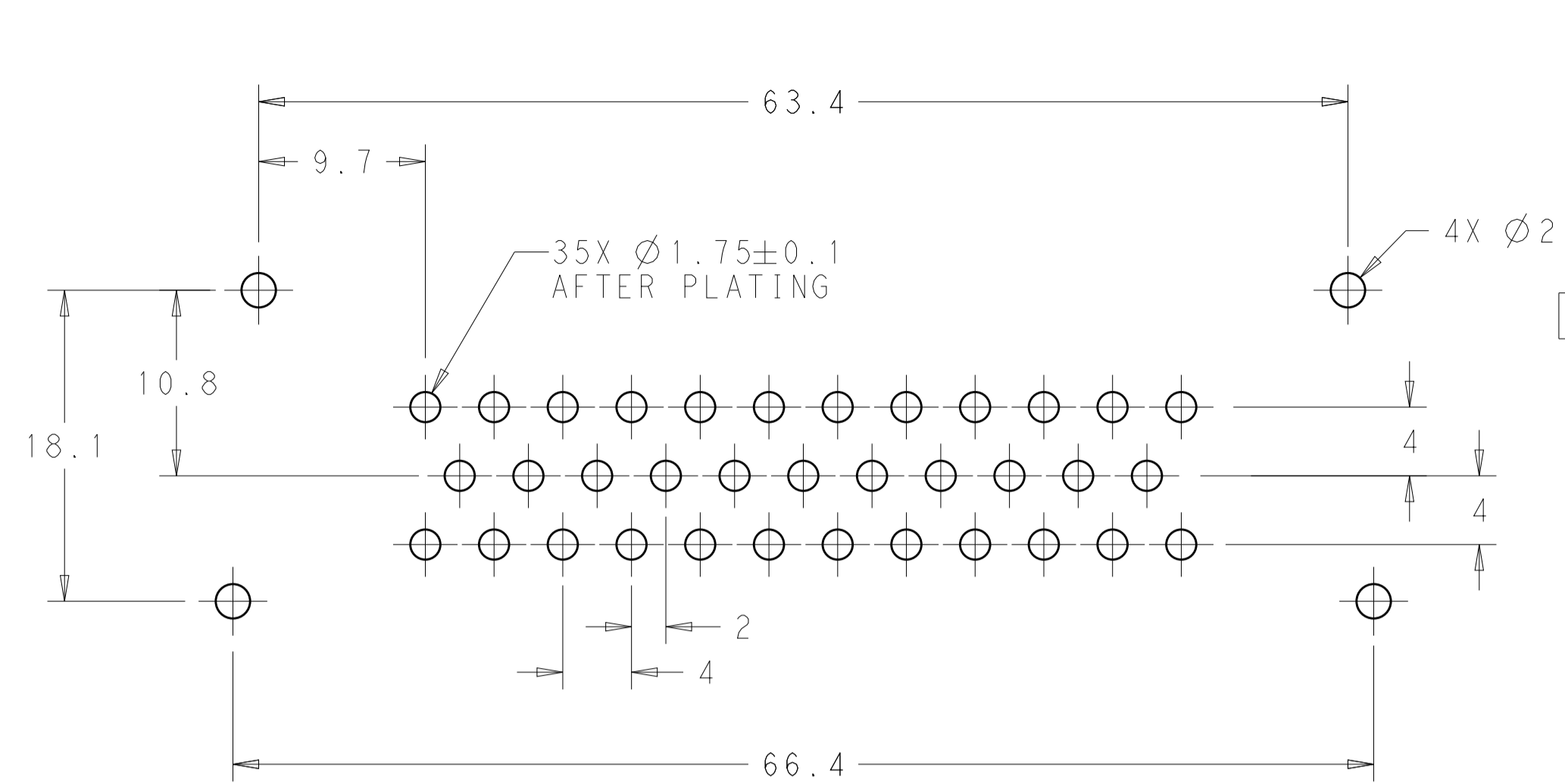


776230-1 & 1-776230-1 SHOWN

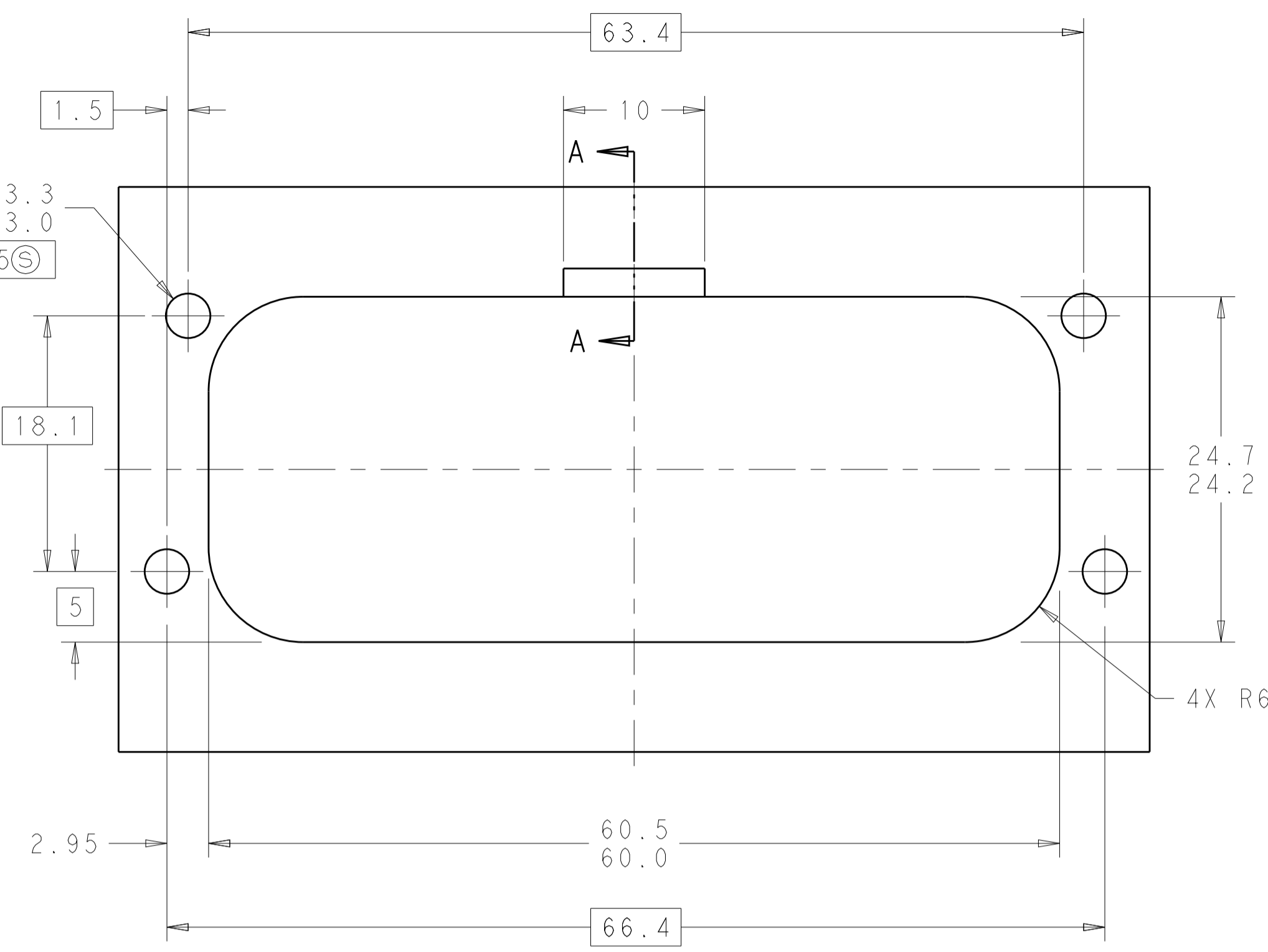
ORANGE	DURAGOLD	1-776230-6
BLUE	DURAGOLD	1-776230-5
GRAY	DURAGOLD	1-776230-4
NATURAL	DURAGOLD	1-776230-2
BLACK	DURAGOLD	1-776230-1
BLUE	TIN	776230-5
GRAY	TIN	776230-4
NATURAL	TIN	776230-2
BLACK	TIN	776230-1
HEADER COLOR	PLATING	PART NUMBER

THIS DRAWING IS A CONTROLLED DOCUMENT. DIMENSIONING AND TOLERANCING PER ASME Y14.5M-2009.		OWN: D. STRAUSSER 04FEB2010 CHK: D. STRAUSSER 22MAR2010 APVD: D. STRAUSSER 27APR2010	TE Connectivity	
DIMENSIONS: mm	TOLERANCES UNLESS OTHERWISE SPECIFIED: 0 PLC ±0.2 1 PLC ±0.13 2 PLC ±0.13 3 PLC ±0.13 4 PLC ±0.13 ANGLES ±0.5°	PRODUCT SPEC: 108-1329 APPLICATION SPEC: 114-16016	ASSEMBLY, HEADER, 35 POSITION, VERTICAL, AMPSEAL	
MATERIAL: 3	FINISH: 4	WEIGHT: -	SIZE: A100779	RESTRICTED TO: -
CUSTOMER DRAWING		SCALE: 4:1	SHEET: 1 OF 2	REV: A9

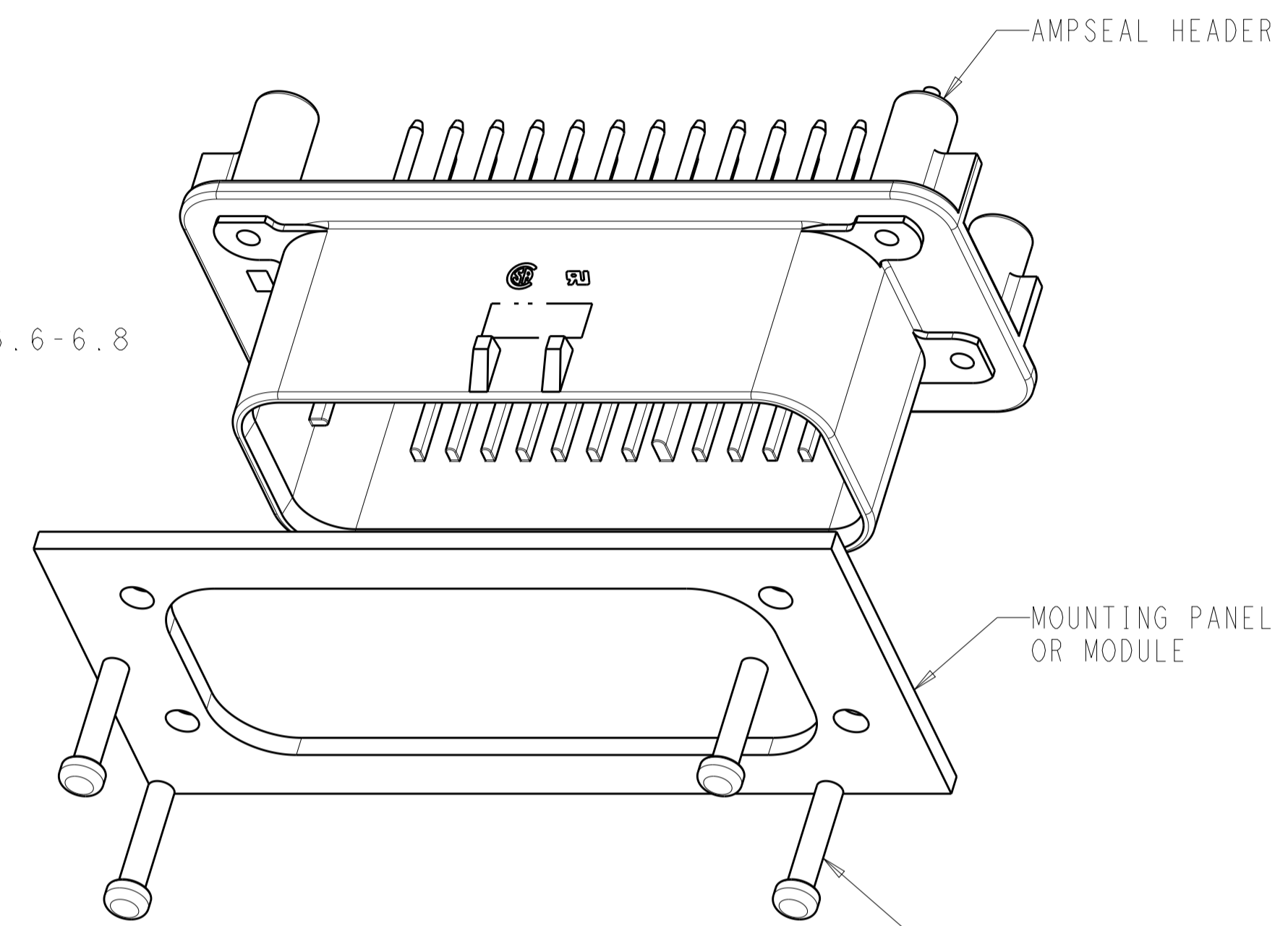
REVISIONS				
P.	LTH	DESCRIPTION	DATE	APPV
-	-	SEE SHEET 1	-	-



RECOMMENDED P.C. BOARD LAYOUT  
 FOR 1.57 THICK P.C. BOARD

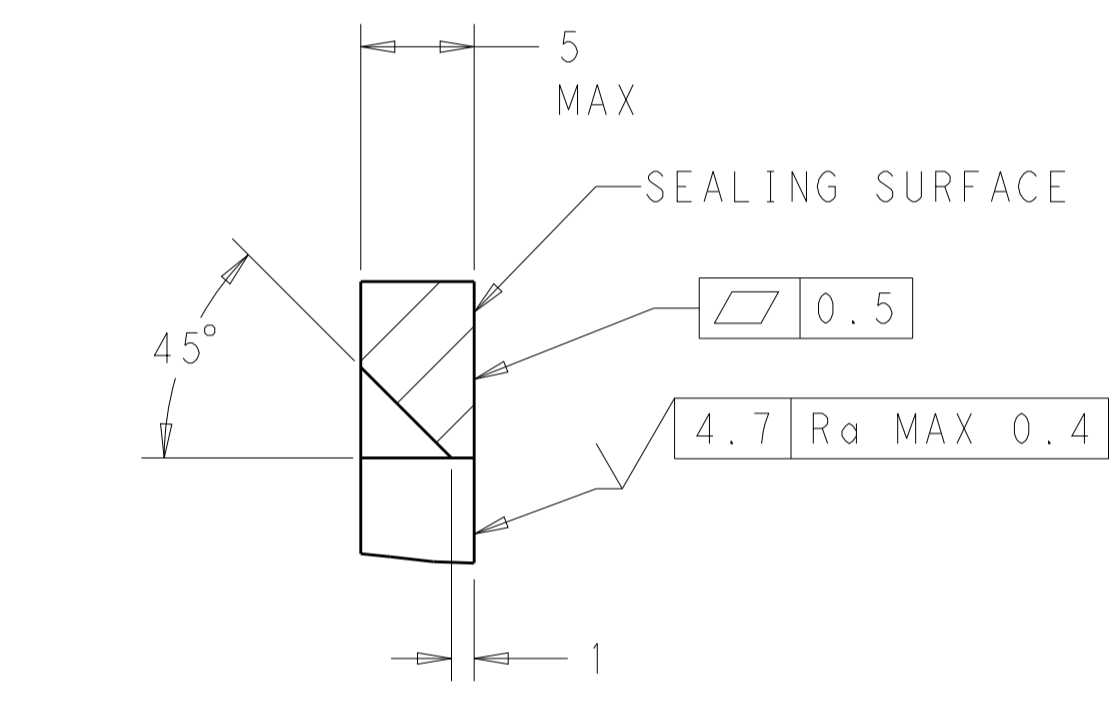
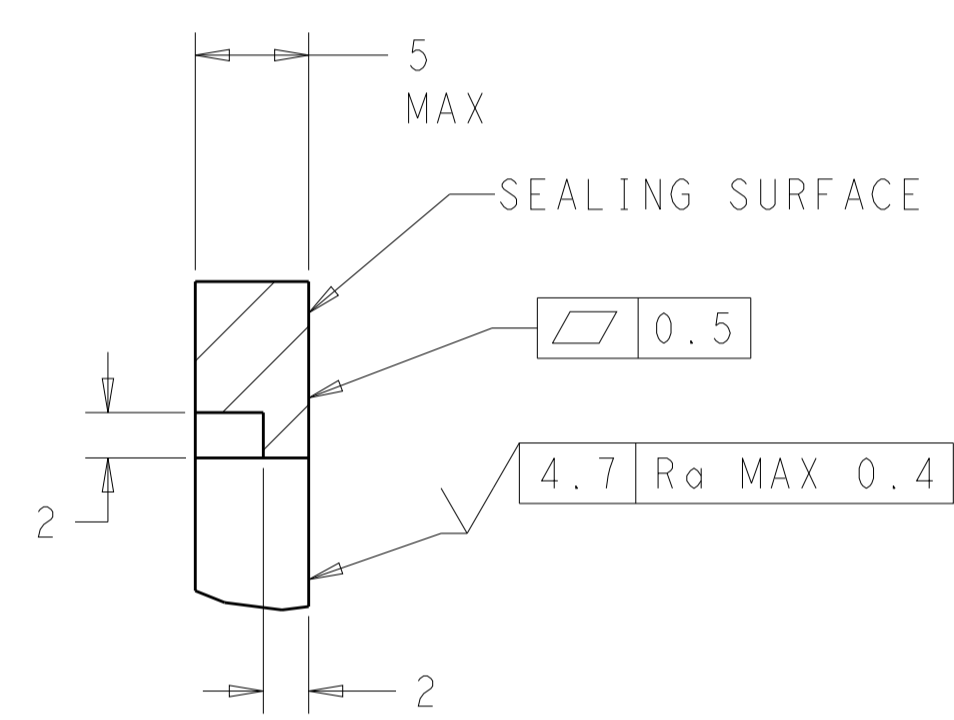


RECOMMENDED MOUNTING HOLE LAYOUT  
 FOR 5.0 MAX THICK PANEL



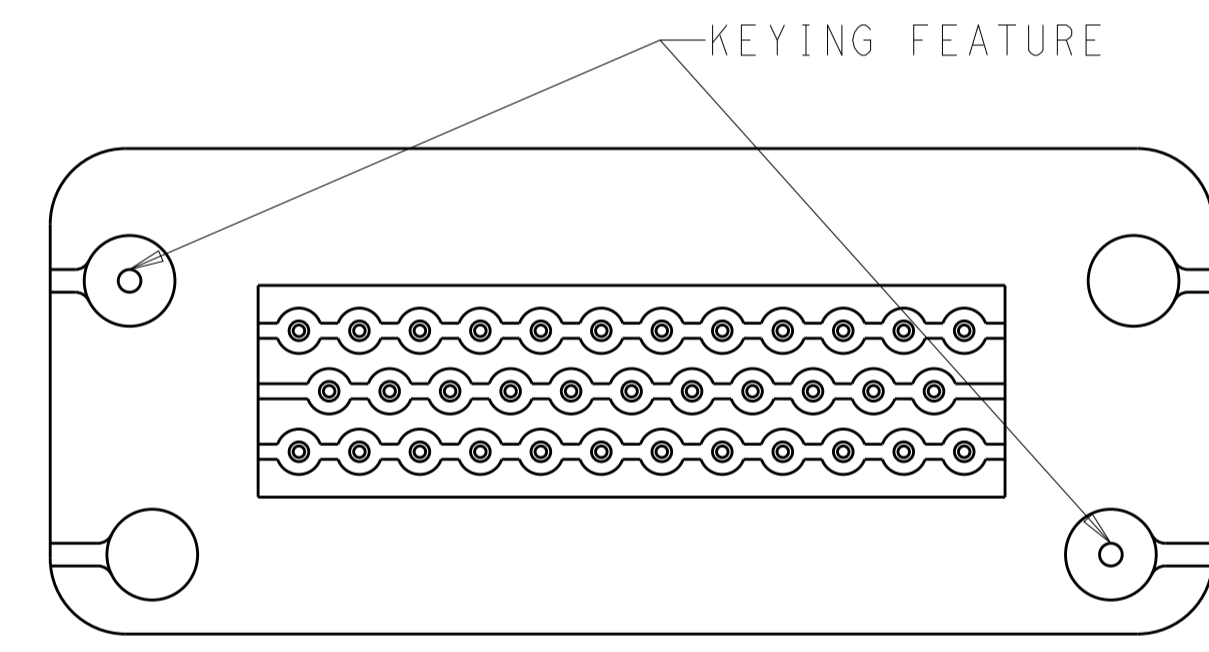
SCALE 2:1

MOUNTING SCREW (4)  
 TORQUE TO 0.6N-m TO 0.8N-m

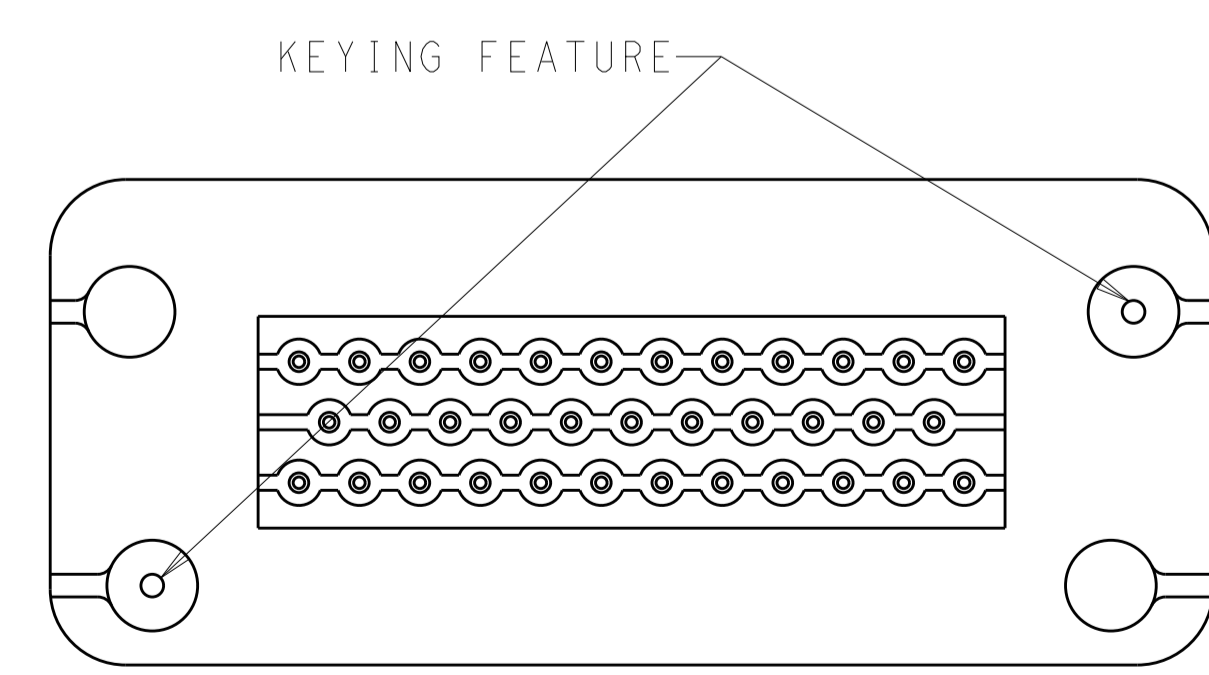


SECTION A-A  
 OPTIONAL CONSTRUCTION IF PANEL  
 THICKNESS IS GREATER THAN 2.0

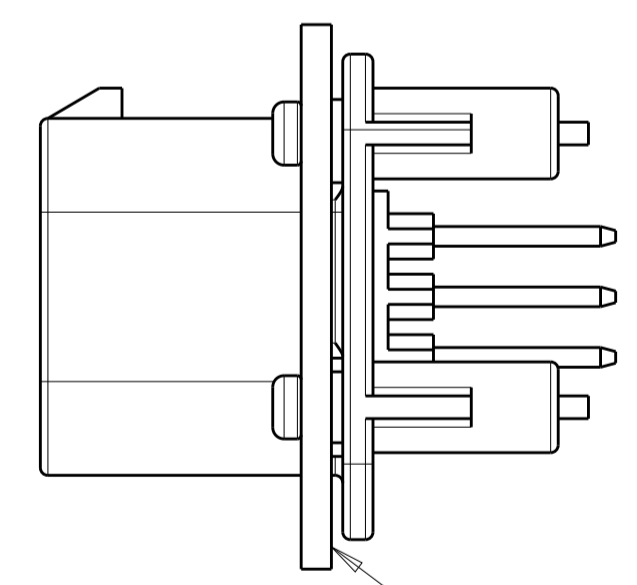
SECTION A-A  
 OPTIONAL CONSTRUCTION IF PANEL  
 THICKNESS IS GREATER THAN 2.0



KEYING FOR 776230-1, 1-776230-1, 776230-4,  
 1-776230-4 AND 1-776230-6  
 SCALE 2:1

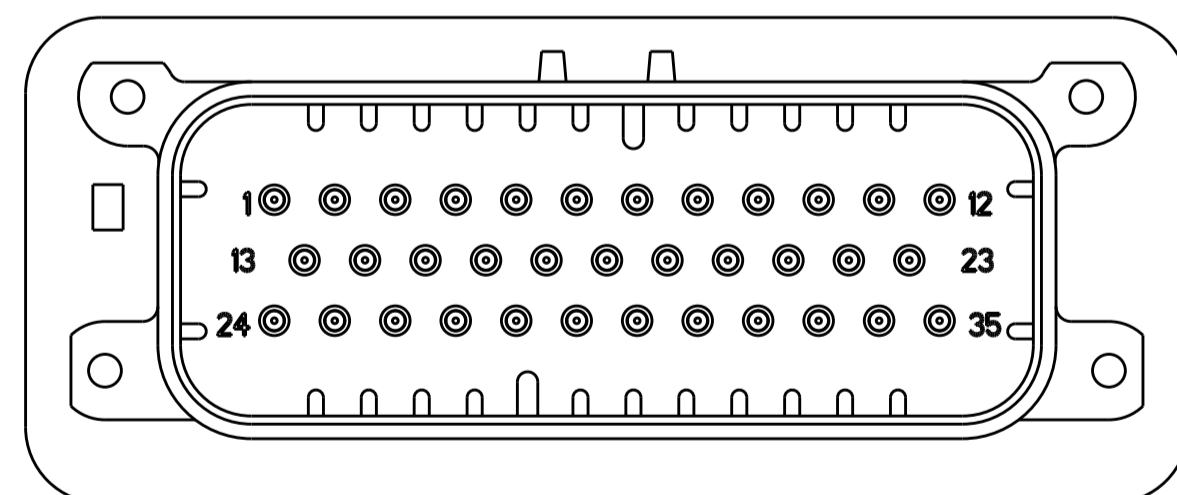


KEYING FOR 776230-2, 1-776230-2, 776230-5  
 AND 1-776230-5  
 SCALE 2:1

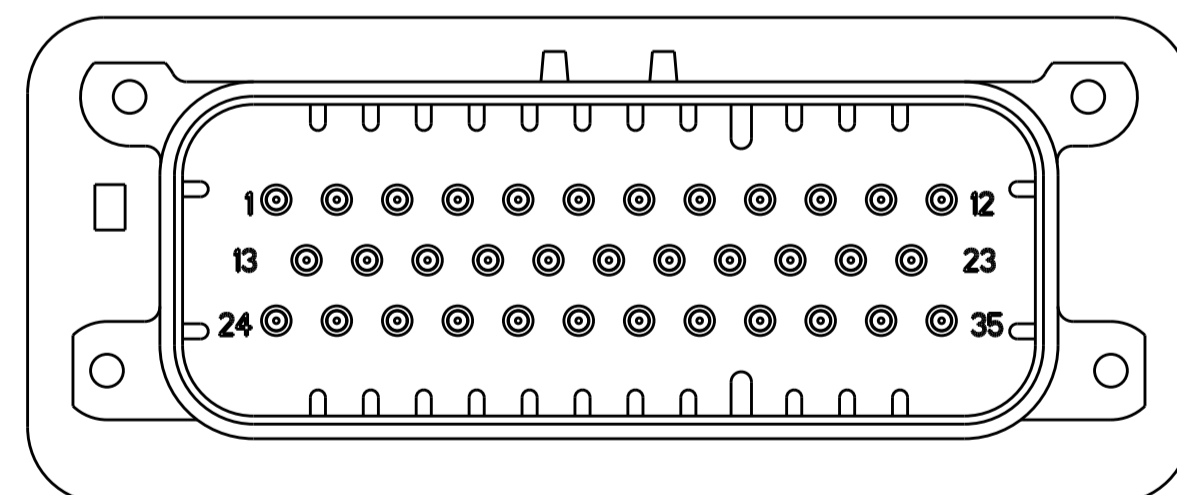


SCALE 2:1

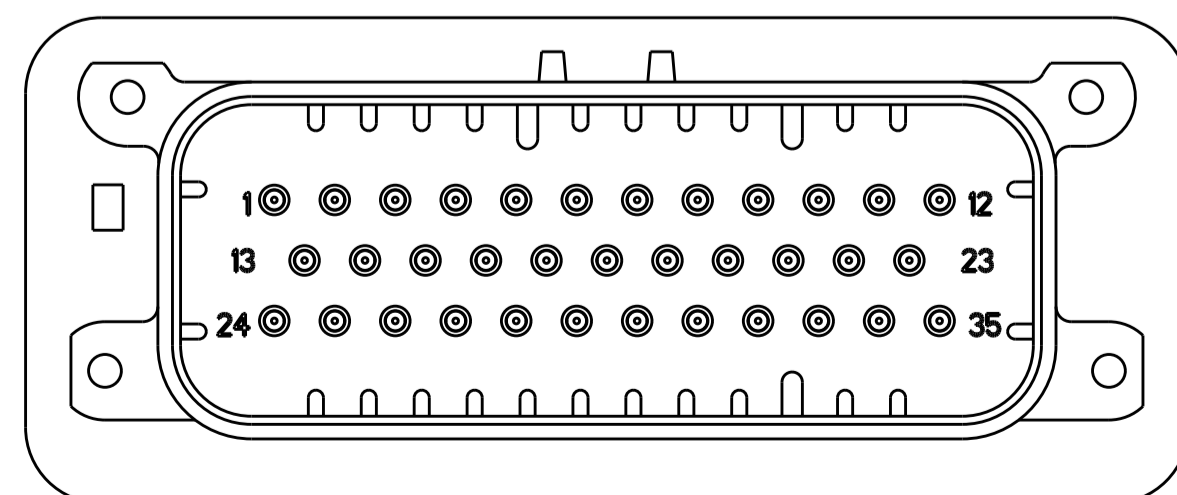
ENSURE THE HEADER IS FLUSH  
 TO THE PANEL FACE ALL AROUND  
 BEFORE TIGHTENING TO FINAL TORQUE



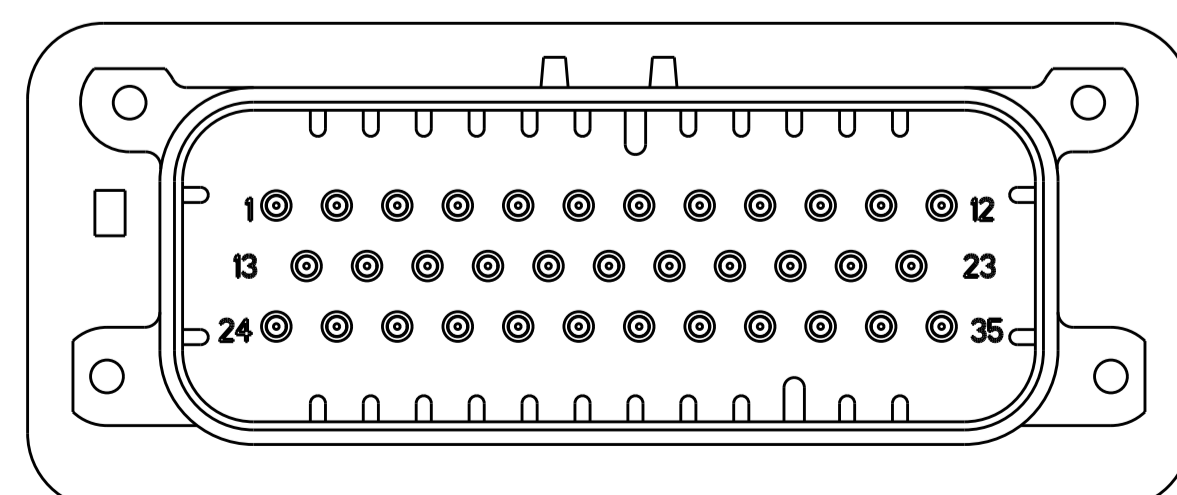
776230-2 & 1-776230-2  
 KEY LOCATION  
 SCALE 2:1



776230-4 & 1-776230-4  
 KEY LOCATION  
 SCALE 2:1



776230-5 & 1-776230-5  
 KEY LOCATION  
 SCALE 2:1



1-776230-6  
 KEY LOCATION  
 SCALE 2:1

THIS DRAWING IS A CONTROLLED DOCUMENT.		OWN: D. STRAUSSER 04FEB2010	TE Connectivity ASSEMBLY, HEADER, 35 POSITION, VERTICAL, AMPSEAL
DIMENSIONS:		CHK: D. STRAUSSER 22MAR2010	
mm	0 PLC ±0.2	APVD: D. STRAUSSER 27APR2010	NAME: A100779
	1 PLC ±0.13	PRODUCT SPEC: 108-1329	SIZE: CAGE CODE DRAWING NO: 114-16016
	2 PLC ±0.13	APPLICATION SPEC: 114-16016	RESTRICTED TO: A9
	3 PLC ±0.13	WEIGHT: -	SCALE: 4:1
	4 PLC ±0.13	CUSTOMER DRAWING	SHEET 2 OF 2
	ANGLES ±45°		REV: A9

# Mouser Electronics

Authorized Distributor

Click to View Pricing, Inventory, Delivery & Lifecycle Information:

[TE Connectivity:](#)

[776230-1](#)