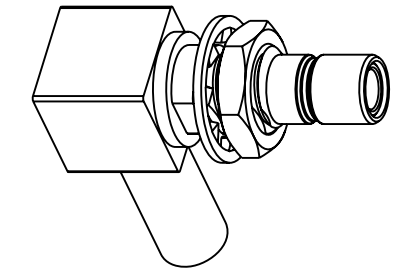


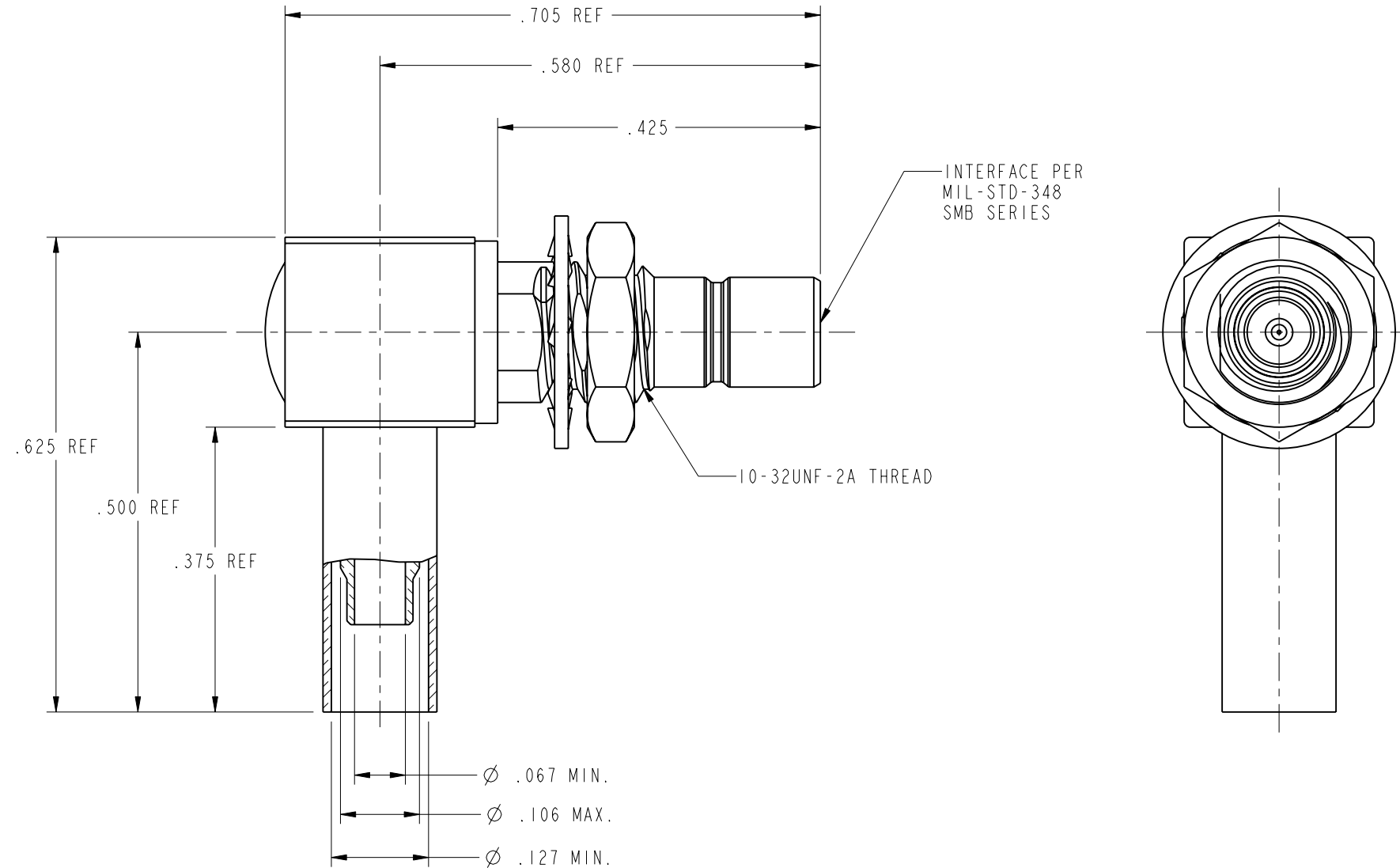
NOTES:

- 1. MATERIALS OF CONSTRUCTION:
 BODY SUB-ASSY, CAP & NUT = BRASS, GOLD PLATED
 CONTACT = BeCu, GOLD PLATED
 FERRULE = COPPER, GOLD PLATED
 LOCKWASHER = PHOSPHOR BRONZE, GOLD PLATED
 INSULATOR = PTFE, ASTM-D-1457

903-422J-51A		REVISIONS			
DRAWING NO.	REV	DESCRIPTION	DATE	ECO	APPR
THIRD ANGLE PROJ.	--	RELEASE TO MFG.			
	D	SEE SHEET 1	10/31/00	43528	CPM
	E	SEE SHEET 1	10/7/08	47314	CPM



SCALE 2.500



CUSTOMER OUTLINE DRAWING

ALL OTHER SHEETS ARE FOR INTERNAL USE ONLY

UNLESS OTHERWISE SPECIFIED, DIMENSIONS ARE IN INCHES AND TOLERANCES ARE: 2 PLACE DECIMAL ±.015 (0,381 mm) 3 PLACE DECIMAL ±.005 (0,127 mm) ANGLES ± 1°	MATERIAL	DRAWN C. McGRATH	DATE 03-Oct-00	TITLE SMB RIGHT ANGLE JACK CRIMP TYPE FOR RG-188 & RG-316	Amphenol RF Danbury, CT, USA Tainan, Taiwan Shenzhen, China www.amphenolrf.com
	REFERENCE GEN# ASSYF12_SMB	ENGINEER P. BRENZEL	DATE 03-Oct-00		
NOTICE - These drawings, specifications, or other data (1) are, and remain the property of Amphenol Corp. (2) must be returned upon request; and (3) are confidential and not to be disclosed to any person other than those to whom they are given by Amphenol Corp. The furnishing of these drawings, specifications, or other data by Amphenol Corp., or to any other person to anyone for any purpose is not to be regarded by implication or otherwise in any manner licensing, granting rights or permitting such holder or any other person to manufacture, use or sell any product, process or design, patented or otherwise, that may in any way be related to or disclosed by said drawings, specifications, or other data.		APPROVED K. CAPOZZI	DATE 10/7/08	SCALE: 5.0:1	SHEET 2 OF 2
		CAD FILE I:\SMB\903-422J-51A	CODE ID 74868	DWG SIZE B	DRAWING NO. 903-422J-51A

Mouser Electronics

Authorized Distributor

Click to View Pricing, Inventory, Delivery & Lifecycle Information:

[Amphenol:](#)

[903-422J-51A](#)