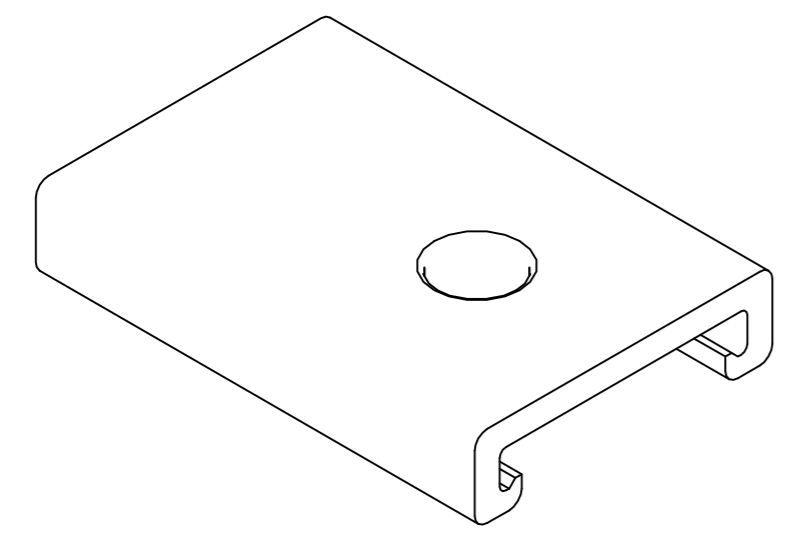
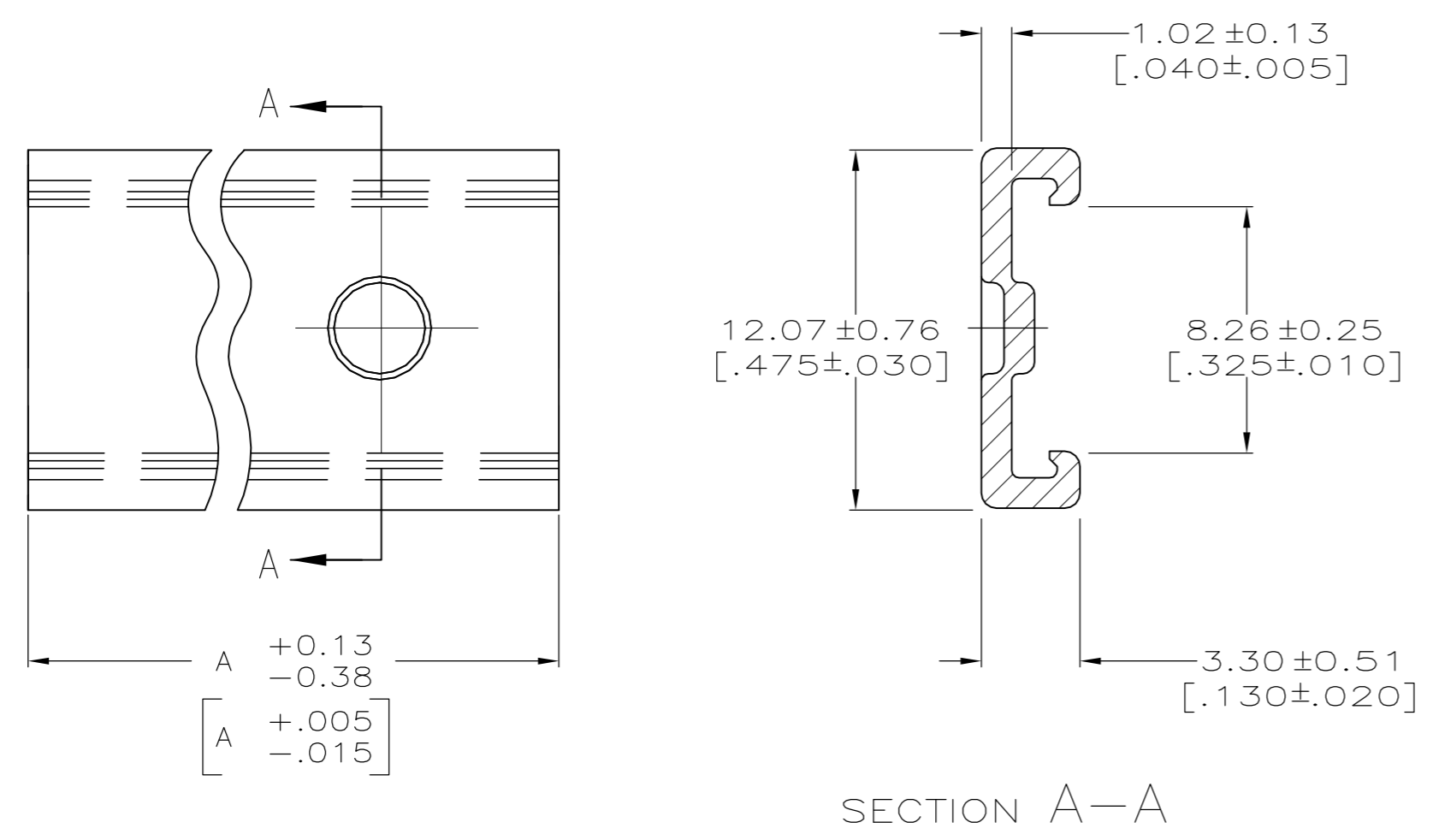


1. DIMENSIONS IN BRACKETS ARE IN INCHES.



| | | | | |
|--|--------------|-------|---------|------------|
| 24 | CIRCUIT ASSY | 95.10 | [3.744] | 2-640643-4 |
| 23 | CIRCUIT ASSY | 91.14 | [3.588] | 2-640643-3 |
| 22 | CIRCUIT ASSY | 87.17 | [3.432] | 2-640643-2 |
| 21 | CIRCUIT ASSY | 83.21 | [3.276] | 2-640643-1 |
| 20 | CIRCUIT ASSY | 79.25 | [3.120] | 2-640643-0 |
| 19 | CIRCUIT ASSY | 75.29 | [2.964] | 1-640643-9 |
| 18 | CIRCUIT ASSY | 71.32 | [2.808] | 1-640643-8 |
| 17 | CIRCUIT ASSY | 67.36 | [2.652] | 1-640643-7 |
| 16 | CIRCUIT ASSY | 63.40 | [2.496] | 1-640643-6 |
| 15 | CIRCUIT ASSY | 59.44 | [2.340] | 1-640643-5 |
| 14 | CIRCUIT ASSY | 55.47 | [2.184] | 1-640643-4 |
| 13 | CIRCUIT ASSY | 51.51 | [2.028] | 1-640643-3 |
| 12 | CIRCUIT ASSY | 47.55 | [1.872] | 1-640643-2 |
| 11 | CIRCUIT ASSY | 43.59 | [1.716] | 1-640643-1 |
| 10 | CIRCUIT ASSY | 39.62 | [1.560] | 1-640643-0 |
| 9 | CIRCUIT ASSY | 35.66 | [1.404] | 640643-9 |
| 8 | CIRCUIT ASSY | 31.70 | [1.248] | 640643-8 |
| 7 | CIRCUIT ASSY | 27.74 | [1.092] | 640643-7 |
| 6 | CIRCUIT ASSY | 23.77 | [.936] | 640643-6 |
| 5 | CIRCUIT ASSY | 19.81 | [.780] | 640643-5 |
| 4 | CIRCUIT ASSY | 15.85 | [.624] | 640643-4 |
| 3 | CIRCUIT ASSY | 11.89 | [.468] | 640643-3 |
| 2 | CIRCUIT ASSY | 7.92 | [.312] | 640643-2 |
| USED ON MTA 156 CONNECTOR ASSEMBLY AS LISTED | | A | | PART NO |

METRIC

| | | | | | | |
|---|--|----------------------------------|----------------------------------|--------------------|------------------------|-------------------------------|
| THIS DRAWING IS A CONTROLLED DOCUMENT. | | DWN T. BECK 4-9-91 | STE TE Connectivity | | | |
| DIMENSIONS: MM[INCHES] | | CHK R. SWING 4-9-91 | | | | |
| TOLERANCES UNLESS OTHERWISE SPECIFIED: | | APVD G. MILLER 4-10-91 | NAME COVER, FEEDTHRU, MTA-156 | | | |
| 0 PLC ± - 1 PLC ± - 2 PLC ± - 3 PLC ± - 4 PLC ± - ANGLES ± ± - | | PRODUCT SPEC APPLICATION SPEC | SIZE A2 | CAGE CODE 00779 | DRAWING NO G-640643 | RESTRICTED TO |
| MATERIAL POLYESTER, UL 94V-0 NATURAL | | FINISH - | WEIGHT - | CUSTOMER DRAWING | | SCALE 5:1 SHEET 1 OF 1 REV R1 |

Mouser Electronics

Authorized Distributor

Click to View Pricing, Inventory, Delivery & Lifecycle Information:

[TE Connectivity:](#)

[1-640643-2](#)