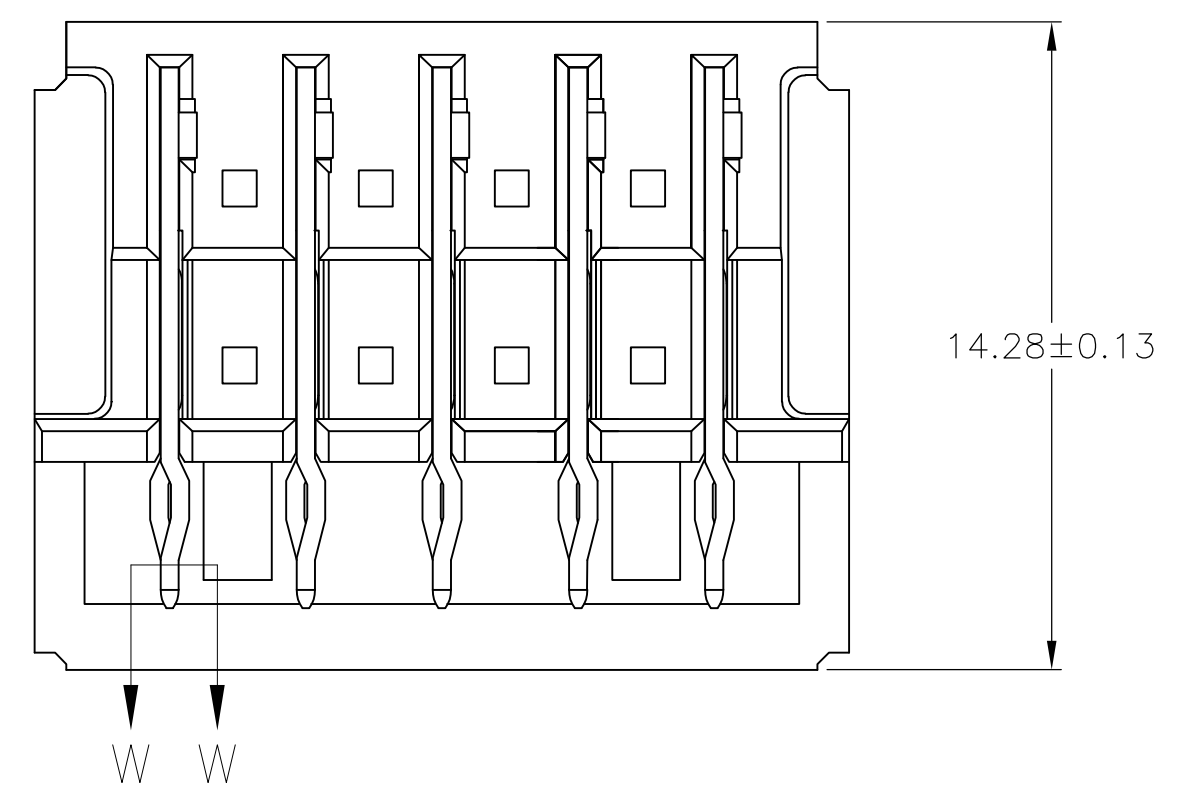
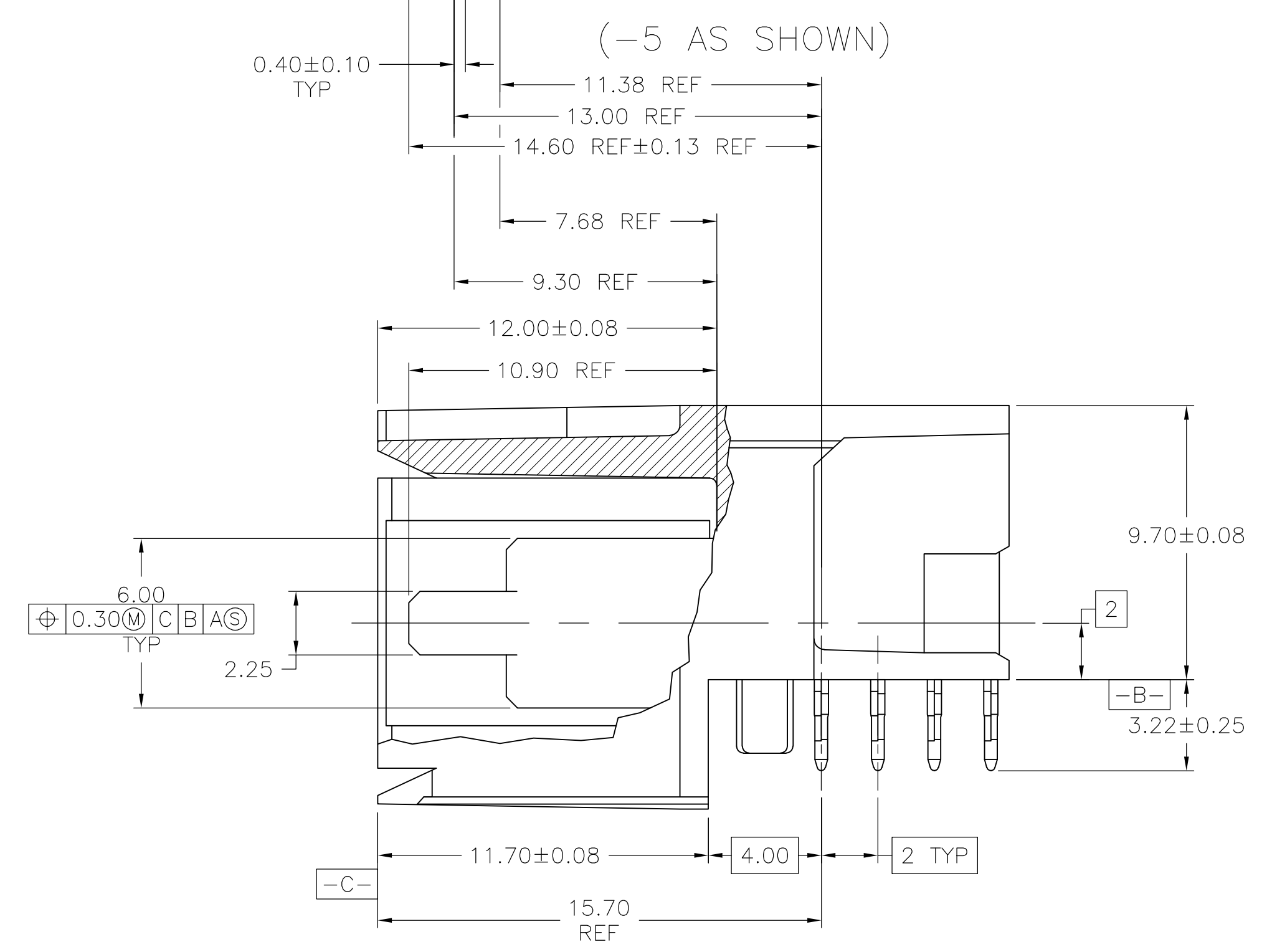
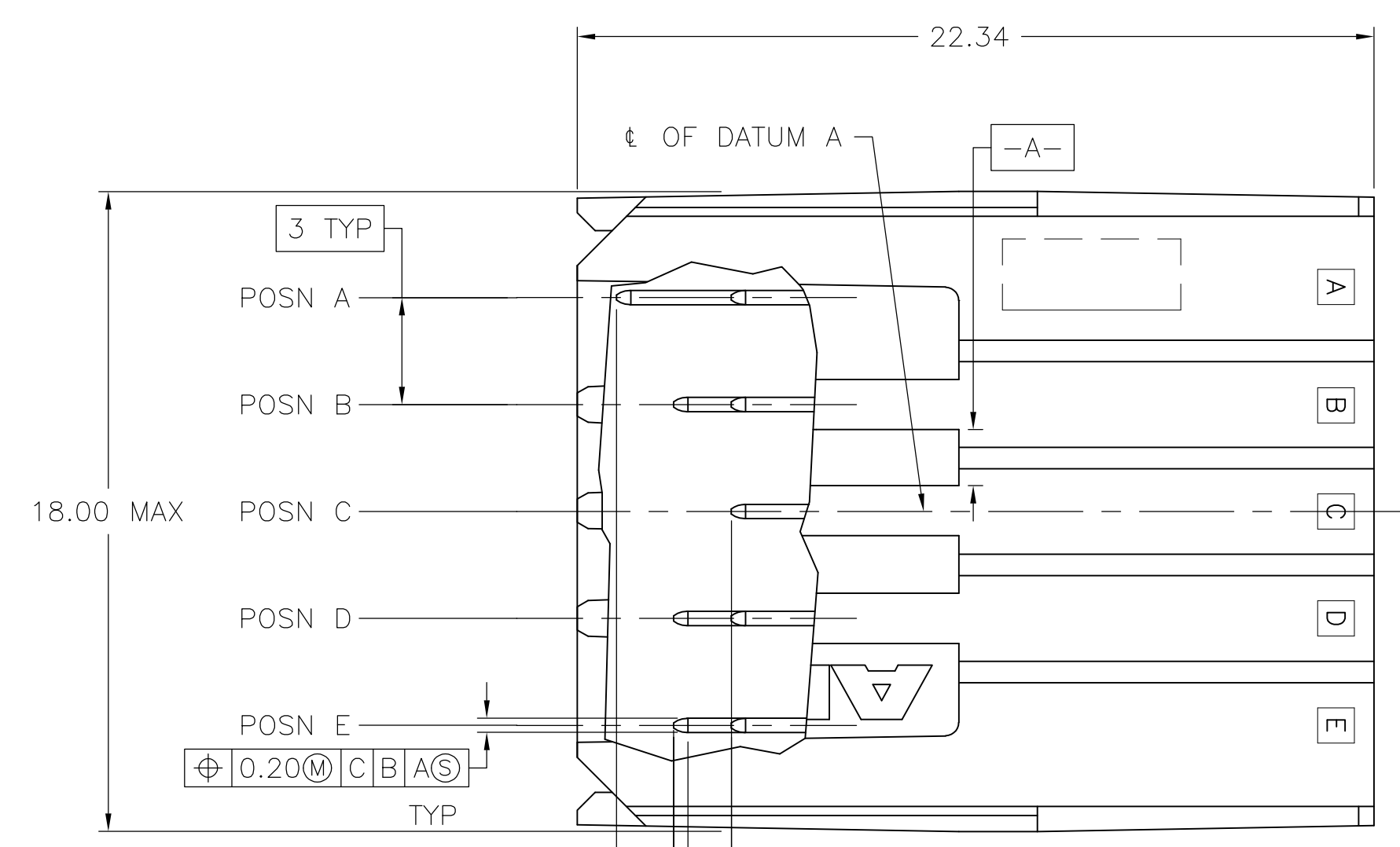
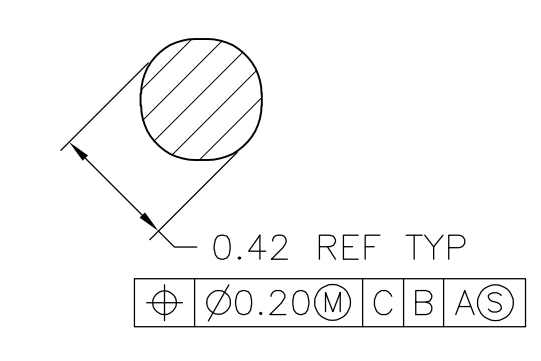
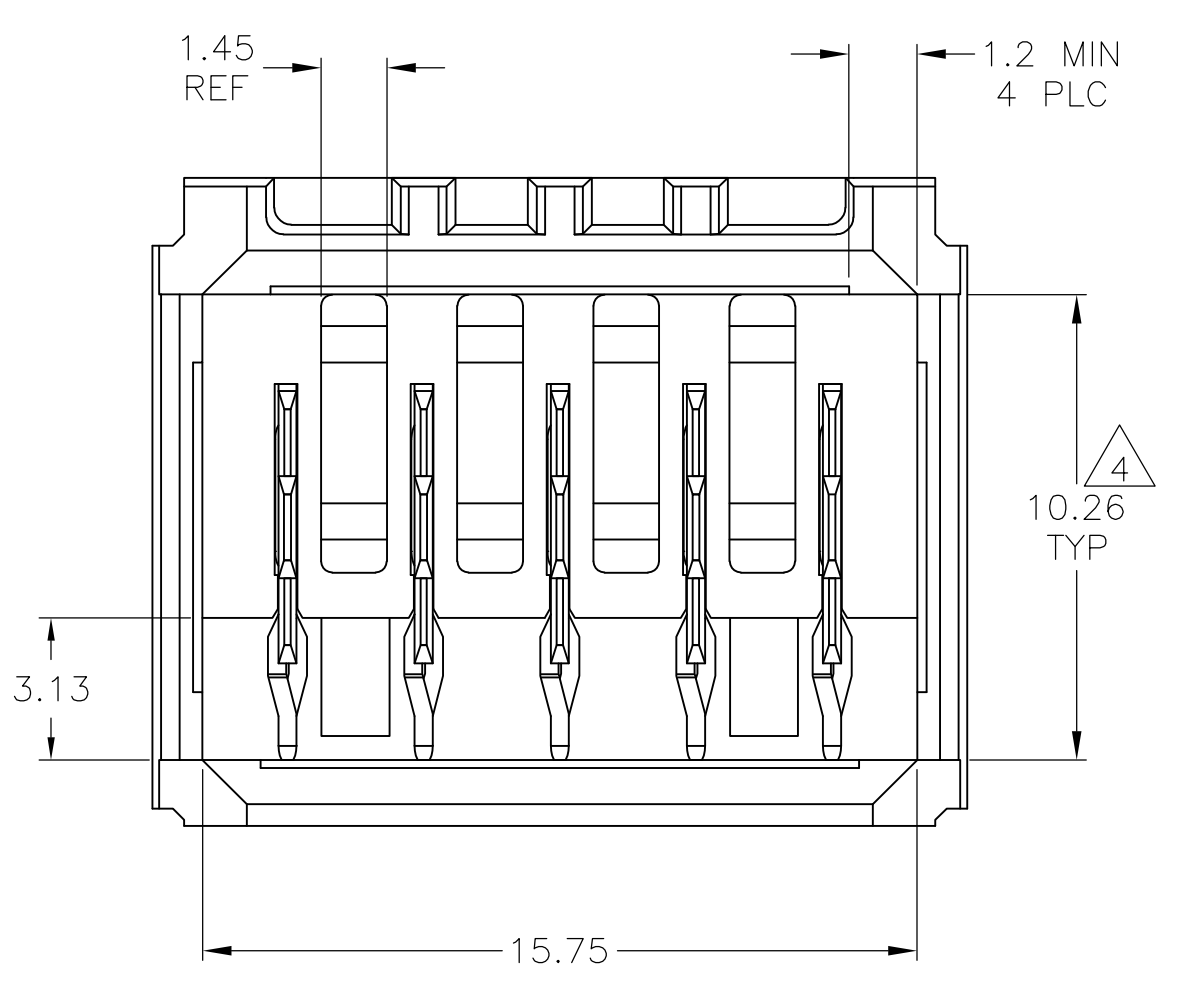


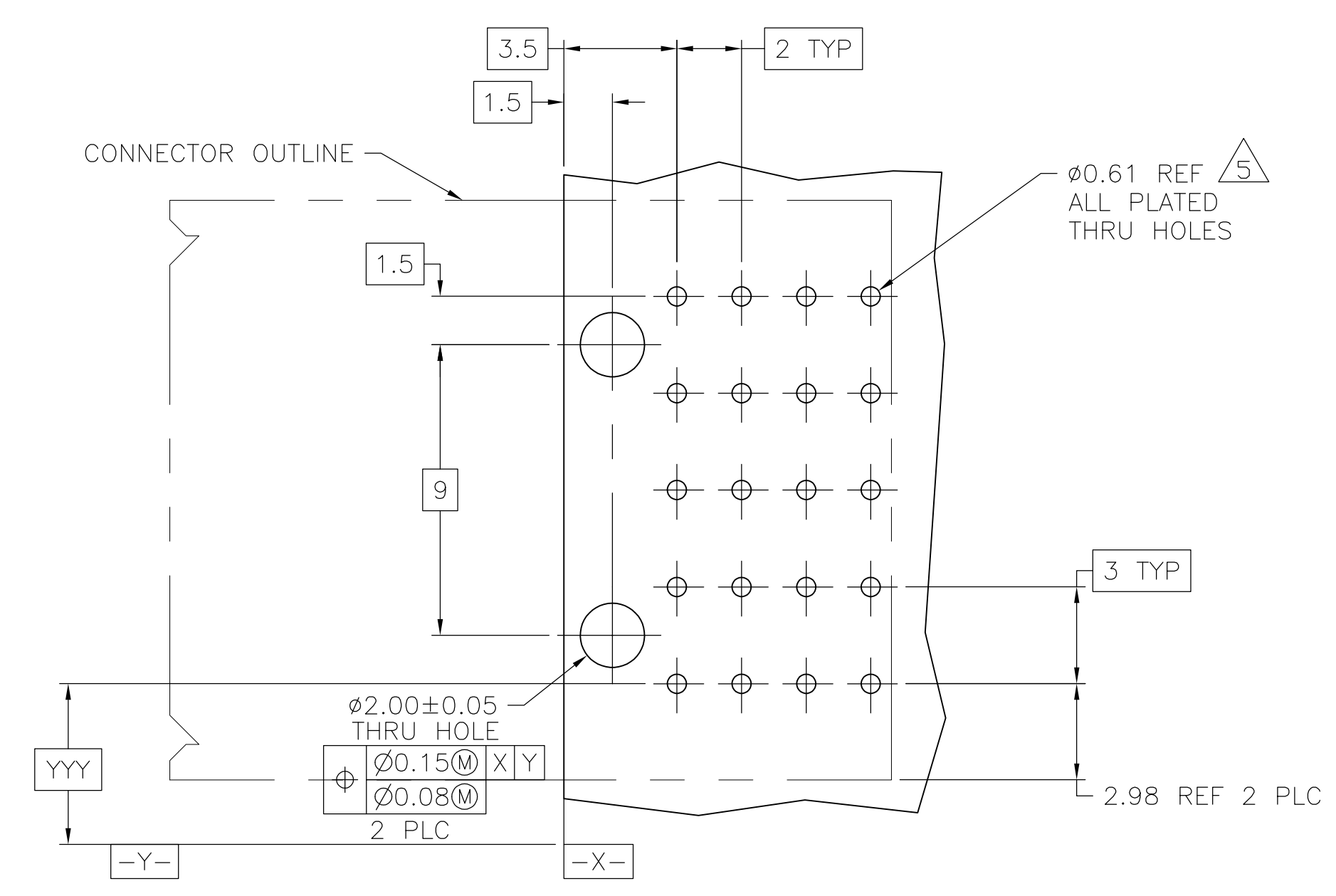
LOC		DIST		REVISIONS			
AD	00	REV	DATE	BY	APPV	REV	DATE
E1	REVISED PER	ECO-14-004519	26MAR2014	AP	AS		



- 1 MATERIAL: HOUSING: POLYESTER. COLOR: GRAY. UL 94V-0. CONTACT: PHOSPHOR BRONZE.
- 2 FINISH: CONTACT MATING AREA: 1.27µm MIN GOLD OR 0.08µm MIN GOLD OVER 0.76µm MIN PALLADIUM-NICKEL. ACTION PIN AREA: 0.5µm MIN TIN PLATE, ALL OVER 1.27µm MIN NICKEL UNDERPLATE.
- 3 FINISH: CONTACT LUBRICATION WITH BELLCORE APPROVED LUBRICANT. TECHNICAL REFERENCE: GR-1217-CORE, ISSUE 1, NOVEMBER 1995.
- 4 10.26±0.13 DIMENSION APPLIES IN THIS AREA.
- 5 REFERENCE APPLICATION SPEC 114-1103 FOR RECOMMENDED PLATED THRU HOLE DIAMETER AND PLATING THICKNESS.
- 6. CURRENT RATING 10A/CONTACT PER PRODUCT SPEC 108-1651.



SECTION W-W  
SCALE 40:1



RECOMMENDED PCB HOLE LAYOUT

POSITIONS LOADED WITH 10.90 REF CONTACTS	POSITIONS LOADED WITH 9.30 REF CONTACTS	POSITIONS LOADED WITH 7.68 REF CONTACTS	NO OF LOADED POSITIONS	PART NUMBER
A,B,D	C,E	-	5	5646955-6
A,B,D,E	-	C	5	5646955-5
A - C	D - E	-	5	5646955-4
A	B - E	-	5	5646955-3
E	A - D	-	5	5646955-2
A - E	-	-	5	5646955-1

THIS DRAWING IS A CONTROLLED DOCUMENT.

DIMENSIONS: mm	TOLERANCES UNLESS OTHERWISE SPECIFIED:	DIN B. CARDO 14DEC04	14DEC04
0 PLC ± -	1 PLC ± 0.13	CHK R. PATTERSON 14DEC04	NAME
2 PLC ± -	3 PLC ± -	APPV R. PATTERSON 14DEC04	PRODUCT SPEC
4 PLC ± -	ANGLES ± -	APPLICATION SPEC	SIZE
MATERIAL	FINISH	WEIGHT	CAGE CODE DRAWING NO
			A1 00779 C=5646955
		CUSTOMER DRAWING	SCALE 6:1 SHEET 1 OF 1 REV E1

STE TE Connectivity

ASSEMBLY, RIGHT ANGLE HEADER, W/ RETENTION PEGS, UNIVERSAL POWER MODULE

# Mouser Electronics

Authorized Distributor

Click to View Pricing, Inventory, Delivery & Lifecycle Information:

[TE Connectivity:](#)

[5646955-2](#)