

1 2 3 4 5 6

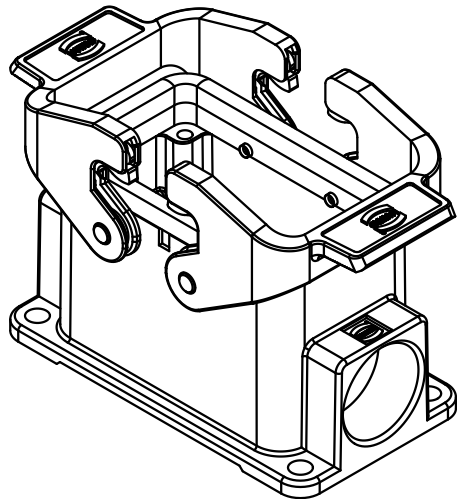
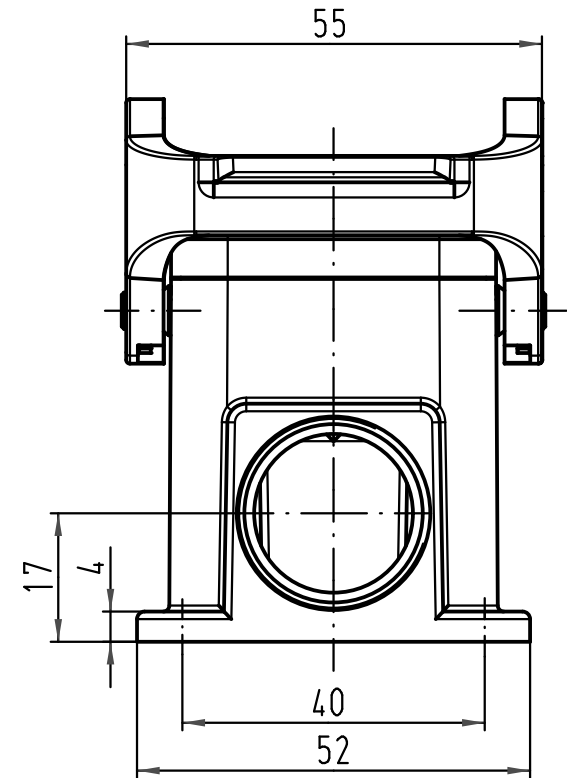
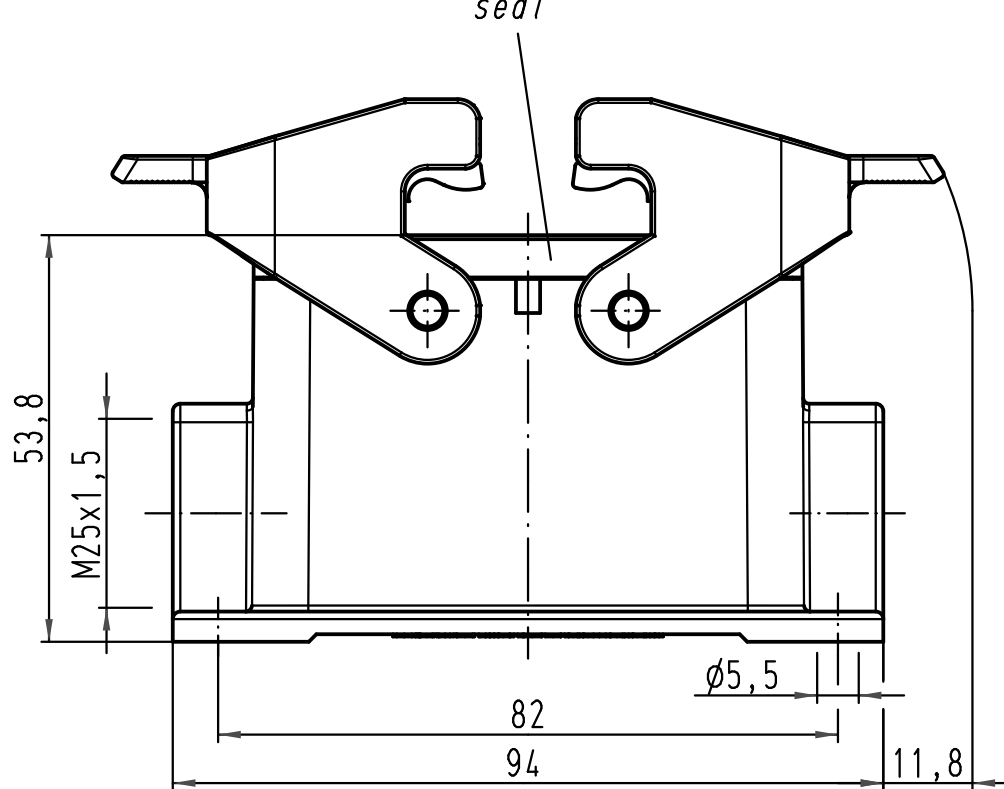
A

B

C

D

Dichtung/  
seal



All Dimensions in mm Original Size DIN A 4		Techn. Character.			Nicht tolerierte Maße/Free size tolerances	
			Dat.	Name	Maßstab/Scale <b>1:1</b>	<b>Han 10B-ASG1-QB-M25</b> Sockelgehäuse/ housing surface mounting
		Detail.	30.04.09	Ho		
		Insp.		Be		
		Stand.				
A		HARTING Electric GmbH & Co. KG D-32339 Espelkamp				<b>TB 19 30 010 1231</b> Sub. TB 19 30 010 1231 v. 13.08.07
Mod.	Dat.	Name				

# Mouser Electronics

Authorized Distributor

Click to View Pricing, Inventory, Delivery & Lifecycle Information:

[HARTING:](#)

[19300101231](#)