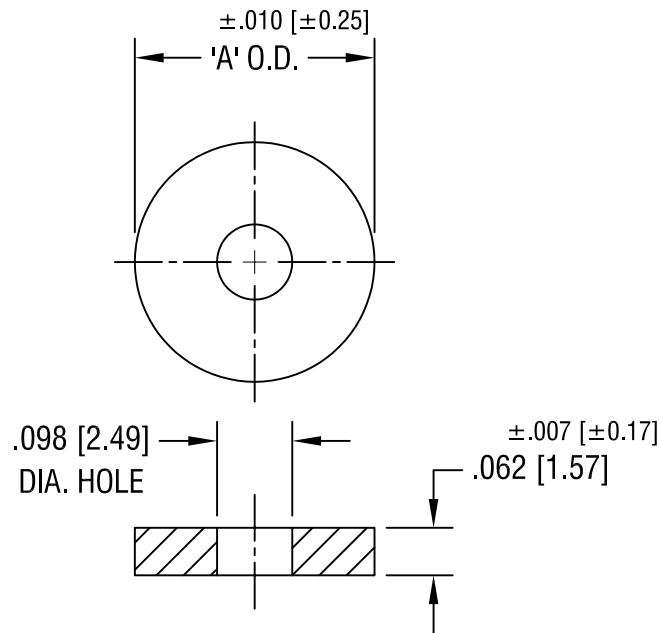


THIS DOCUMENT IS THE PROPERTY OF
KEYSTONE ELECTRONICS CORP. AND
SHALL NOT BE REPRODUCED, DISTRIBUTED
OR USED AS A BASIS FOR MANUFACTURE
WITHOUT PRIOR WRITTEN PERMISSION
FROM KEYSTONE ELECTRONICS CORP.



'A' O.D. DIM.	PART NO.
.187 [4.74]	3366
.250 [6.35]	3367

KEYSTONE ELECTRONICS CORP.			
ASTORIA, N.Y. 11105-2017			
PART NAME		FLAT WASHER	
MATERIAL		.062 [1.57] TH'K FIBRE	
FINISH	-	DRN BY	BOONE
		APP'D	LN
		DATE	8.23.82
		SCALE	4X
DATE	9.15.94	DESCRIPTION	CHANGE AS PER ECR 94-053
REV.	A	TOLERANCES	INCH [MM]
		DECIMAL	$\pm .005$ [± 0.15]
		ANGULAR	$\pm 1^\circ$
		UNLESS OTHERWISE SPECIFIED	
		CODE	C/M
		DWG NO.	3366-3367

DATE	9.15.94	DESCRIPTION	CHANGE AS PER ECR 94-053	REV.	A
------	---------	-------------	--------------------------	------	---

Mouser Electronics

Authorized Distributor

Click to View Pricing, Inventory, Delivery & Lifecycle Information:

[Keystone Electronics:](#)

[3367](#)