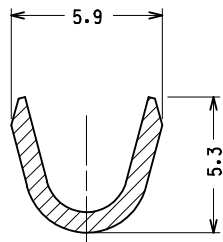
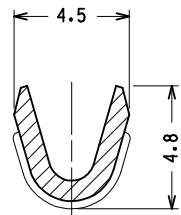


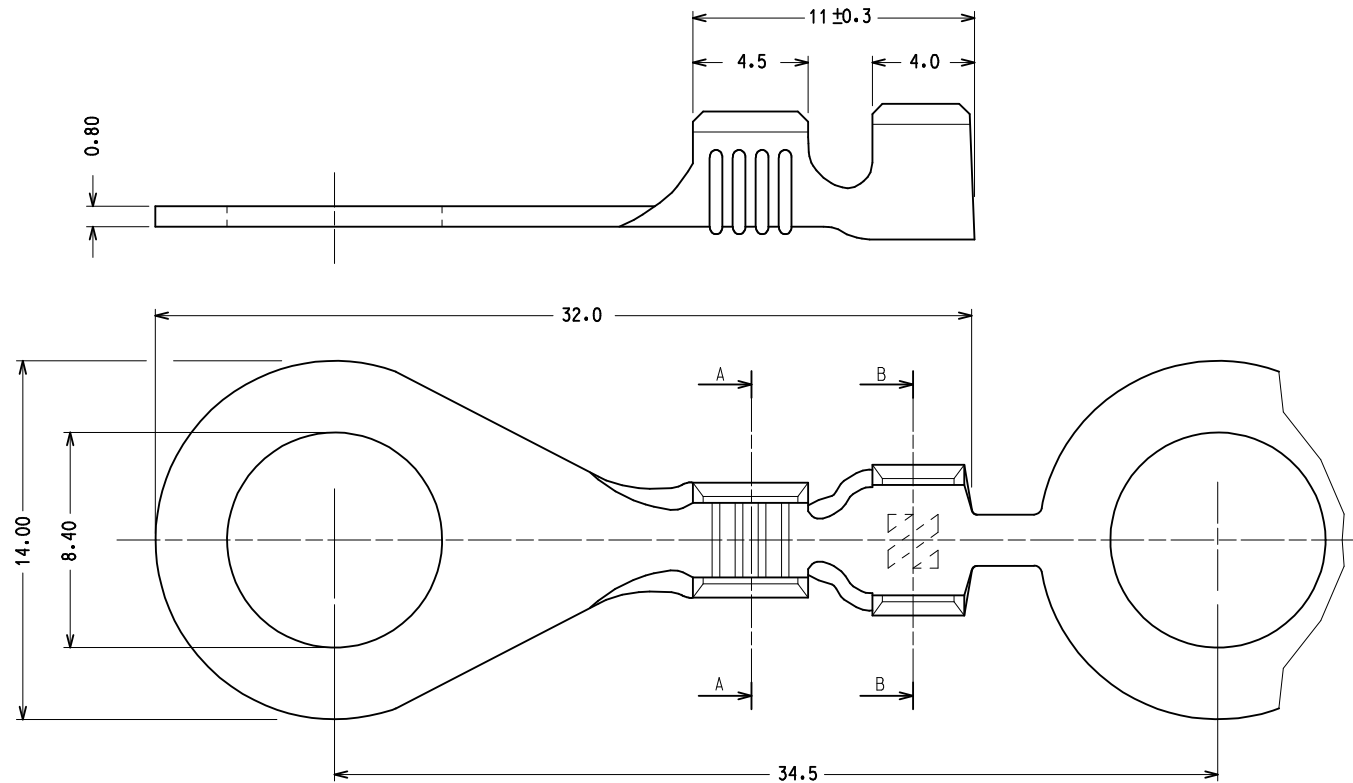
10 9 8 7 6 5 4 3 2 1



SECTION B - B



SECTION A - A



MATERIALE: OTTONE FINITURA: STAGNATO
 MATERIAL: BRASS PLATING: TIN

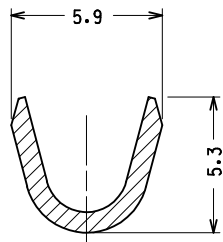
S.P.Q. = 6000 pz.

Std. Descr.: RING TONGUE TERM BRS TIN 8.4 D 2-2.5

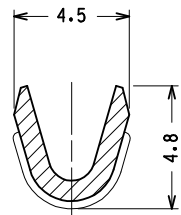
EC NO: Z2016-0113 DRWN:LSANTESS 2016/06/09 CHKD:LSANTESS 2016/06/09 APPR:PZANGIROLAMI 2016/06/09	QUALITY SYMBOLS ▽=0 ◻=0	GENERAL TOLERANCES (UNLESS SPECIFIED)		DIMENSION STYLE MM ONLY		SCALE 5:1	DESIGN UNITS METRIC	FIRST ANGLE PROJECTION	
			mm	INCH	DRAWN BY FGOTTARD	DATE 1990/02/27	TITLE RING TONGUE TERMINAL WIRE RANGE: 1.0-2.5 MMQ		
					CHECKED BY	DATE			
		4 PLACES ± --- ± --- 3 PLACES ± --- ± --- 2 PLACES ± 0.1 ± --- 1 PLACE ± 0.2 ± --- ANGULAR ± 2 °			APPROVED BY MPREVIAT	DATE 1990/02/27	MOLEX INCORPORATED		
DRAFT WHERE APPLICABLE MUST REMAIN WITHIN DIMENSIONS	MATERIAL NO. 94030-6980	DOCUMENT NO. SD-94030-060	SHEET NO. 1 OF 1						

9 8 7 6 5 4 3 2 1

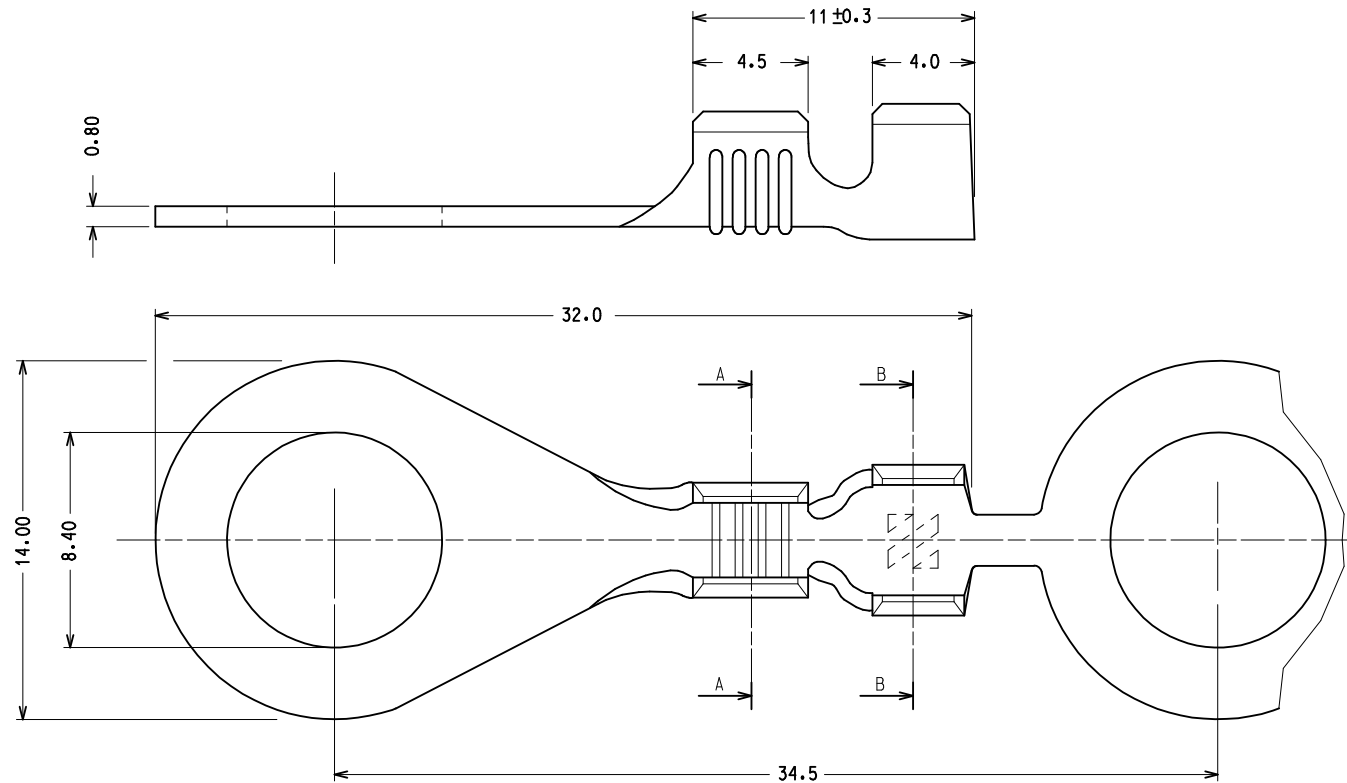
10 9 8 7 6 5 4 3 2 1



SECTION B - B



SECTION A - A



MATERIALE: OTTONE FINITURA: STAGNATO
 MATERIAL: BRASS PLATING: TIN

S.P.Q. = 6000 pz.

Std. Descr.: RING TONGUE TERM BRS TIN 8.4 D 2-2.5

EC NO: Z2016-0113 DRWN:LSANTESS 2016/06/09 CHKD:LSANTESS 2016/06/09 APPR:PZANGIROLAMI 2016/06/09	QUALITY SYMBOLS ▽=0 ◻=0	GENERAL TOLERANCES (UNLESS SPECIFIED)		DIMENSION STYLE MM ONLY		SCALE 5:1	DESIGN UNITS METRIC	FIRST ANGLE PROJECTION	
			mm	INCH	DRAWN BY FGOTTARD	DATE 1990/02/27	TITLE RING TONGUE TERMINAL WIRE RANGE: 1.0-2.5 MMQ		
					CHECKED BY	DATE			
		4 PLACES ± --- ± --- 3 PLACES ± --- ± --- 2 PLACES ± 0.1 ± --- 1 PLACE ± 0.2 ± --- ANGULAR ± 2 °			APPROVED BY MPREVIAT	DATE 1990/02/27	MOLEX INCORPORATED		
DRAFT WHERE APPLICABLE MUST REMAIN WITHIN DIMENSIONS	MATERIAL NO. 94030-6980	DOCUMENT NO. SD-94030-060	SHEET NO. 1 OF 1						

9 8 7 6 5 4 3 2 1