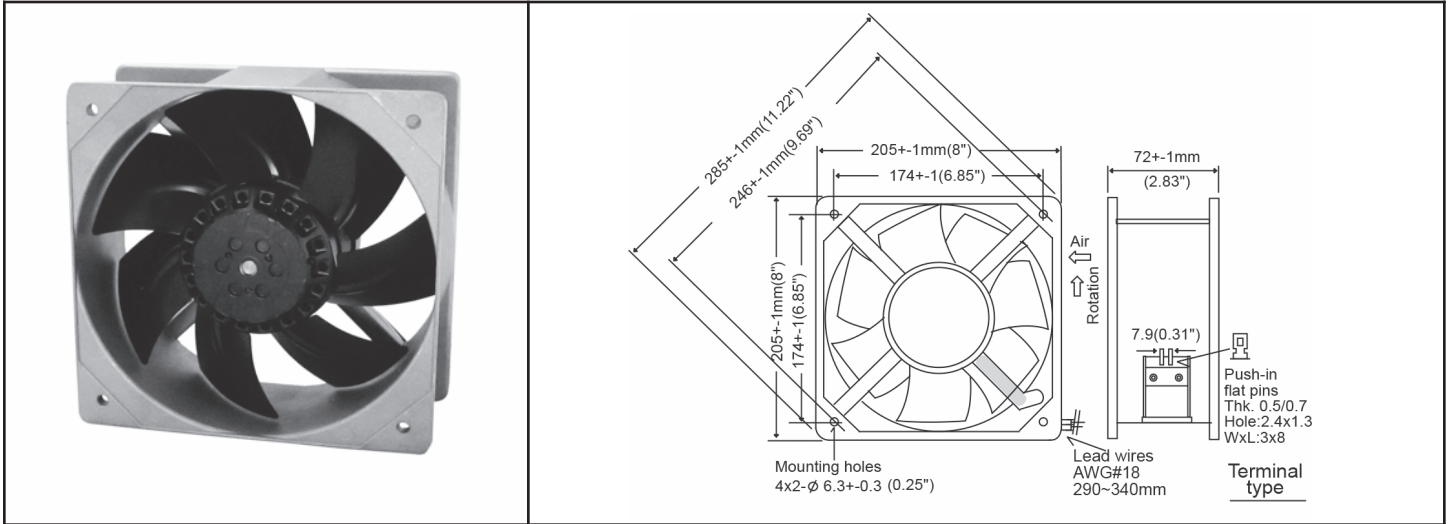


OA205AN Series - All Metal



AC Fan - 115V, 230V
205 x 205 x 72mm (8.0" x 8.0" x 2.8")



Frame	Diecast Aluminum	<u>Operating Temperature</u> Ball Bearing -30C ~ +80C (non-condensing) Storage Temp -40C ~ +100C <u>Life Expectancy</u> Ball Bearing 50,000 hours (L10 at 55C) Environmental Protection IP56 Weight: ~ 5.0 lbs m0	
Impeller	Metal Alloy		
Connection	2x Lead Wires 18 AWG or terminals		
Motor	AC Capacitor Inductance, thermally protected		
Bearing System	Dual ball bearing		
Insulation Resistance	>100M ohm between lead-wire and frame (500VDC)		
Dielectric Strength	1 min at 1500 VAC, 50/60Hz		

Model Number	Speed (RPM)	Airflow (CFM)	Noise (dB)	Volts AC	Voltage Range	Watts	Max. Static Pressure ("H ₂ O)	Curves
OA205AN-11-1 * 1856	2800 3000	520 590	67	115	100~132	60 80	0.91 0.86	2 (50Hz) 1 (60Hz)
OA205AN-11-2 * 1856	2300 2250	460 458	58	115	100~132	55 65	0.69 0.52	4 (50Hz) 3 (60Hz)
OA205AN-11-3 * 1856	1500 1650	310 330	48	115	100~132	20 30	0.38 0.29	6 (50Hz) 5 (60Hz)
OA205AN-22-1 * 1856	2800 3000	520 590	67	230	200~264	60 80	1.05 1.08	2 (50Hz) 1 (60Hz)
OA205AN-22-2 * 1856	2300 2250	460 458	58	230	200~264	55 65	0.69 0.52	4 (50Hz) 3 (60Hz)
OA205AN-22-3 * 1856	1500 1650	310 330	48	230	200~264	20 30	0.38 0.29	6 (50Hz) 5 (60Hz)

* Indicate "TB" for terminal type or "WB" for lead wires

Mouser Electronics

Authorized Distributor

Click to View Pricing, Inventory, Delivery & Lifecycle Information:

Orion Fans:

[OA205AN-22-1TB1856](#) [OA205AN-11-1WB1856](#) [OA205AN-22-1WB1856](#) [OA205AN-11-1TB1856](#) [OA205AN-11-3TB1856](#)