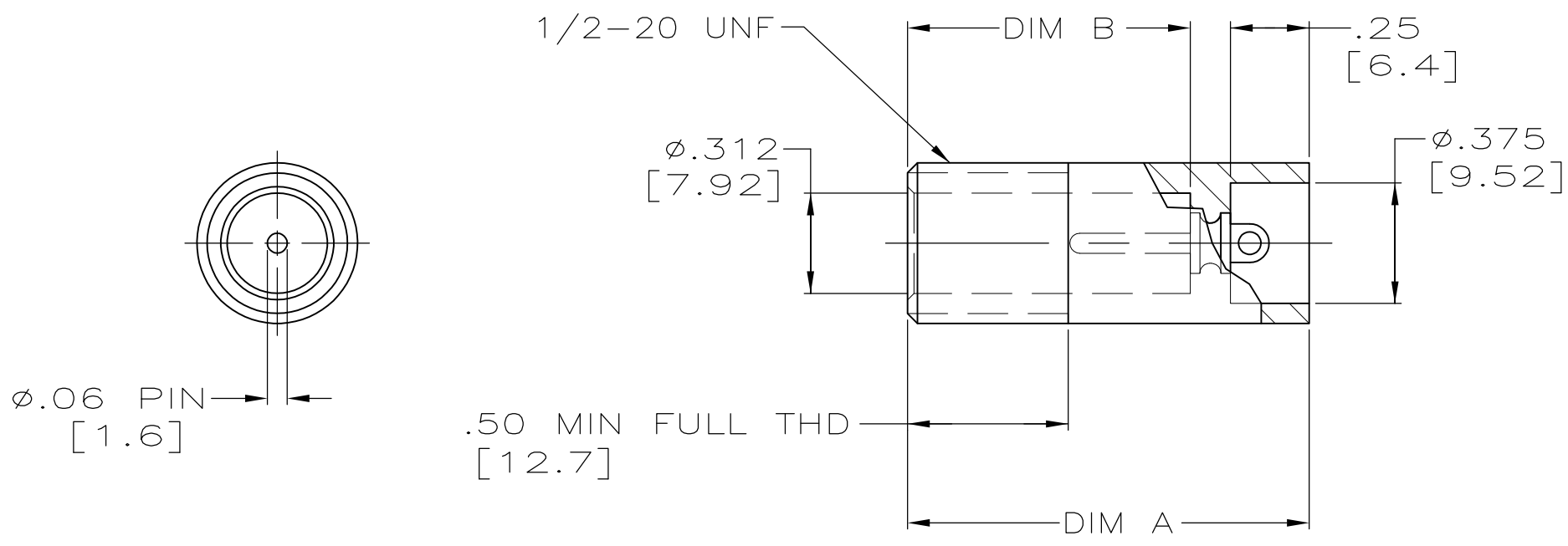


THIS DRAWING IS UNPUBLISHED. RELEASED FOR PUBLICATION - .N/A .
 © COPYRIGHT N/A By - ALL RIGHTS RESERVED.

LOC		DIST		REVISIONS			
P	LTR	DESCRIPTION		DATE	DWN	APVD	
	F	REV PER ECO 12-014181		8-3-12	CT	RG	



	.88 [22.4]	1.25 [31.8]	TIN PLATED	5-849610-3
	.88 [22.4]	1.25 [31.8]	GOLD PLATED	849610-4
	.88 [22.4]	1.25 [31.8]	TIN-LEAD PLATED	849610-3
OBSOLETE	1.12 [28.4]	1.50 [38.1]	GOLD PLATED	849610-2
OBSOLETE	1.12 [28.4]	1.50 [38.1]	TIN-LEAD PLATED	849610-1
	DIM B	DIM A	CONTACT PLATING	PART NO.

THIS DRAWING IS A CONTROLLED DOCUMENT.		DWN C.C.THOMAS 05-MAY-97	STE TE Connectivity	
DIMENSIONS: INCHES		CHK S.GLATFELTER 16-JUL-97		
TOLERANCES UNLESS OTHERWISE SPECIFIED:		APVD S.GLATFELTER 16-JUL-97	NAME RECEPTACLE LGH-1 WITH RECESSED TERMINAL	
0 PLC ± - 1 PLC ± - 2 PLC ± .02[0.5] 3 PLC ± .005[0.13] 4 PLC ± - ANGLES ± -		PRODUCT SPEC -	SIZE A3	
MATERIAL MOLDED GLASS EPOXY COLOR: BLACK		FINISH -	APPLICATION SPEC -	CAGE CODE 00779
		WEIGHT -	DRAWING NO C-849610	RESTRICTED TO -
CUSTOMER DRAWING			SCALE 2:1	SHEET 1 OF 1
			REV F	

Mouser Electronics

Authorized Distributor

Click to View Pricing, Inventory, Delivery & Lifecycle Information:

[TE Connectivity:](#)

[849610-3](#)