

4

3

2

1

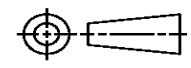
THIS DRAWING IS UNPUBLISHED. RELEASED FOR PUBLICATION
© COPYRIGHT ALL RIGHTS RESERVED.

LOC	DIST	REVISIONS			
P	LTR	DESCRIPTION	DATE	DWN	APVD
	B1	ECR-14-012854	11SEP2014	GK	HMR

REPLACED BY OCEAN STYLE APPLICATOR PART NUMBER 2266315-2

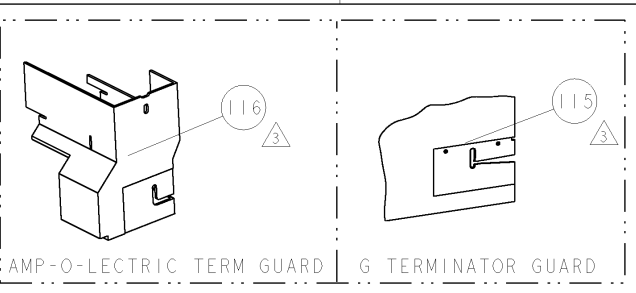
FOR REPLACEMENT PARTS FOR APPLICATOR 1855063 REFER TO ADDITIONAL PAGE(S). SPARE PARTS KIT (IF LISTED) WILL REMAIN AVAILABLE.

THE REPLACEMENT OCEAN STYLE APPLICATOR HAS THE SAME TERMINATOR/PRESS INTERFACE AS APPLICATOR 1855063

THIS DRAWING IS A CONTROLLED DOCUMENT.		DWN	GOPALAKRISHNA HV			
DIMENSIONS:		CHK	RAGHAVENDRA			
TOLERANCES UNLESS OTHERWISE SPECIFIED:		APVD	RAGHAVENDRA			
		PRODUCT SPEC	STE TE Connectivity NAME FINE ADJUST SIDE FEED HDM APPLICATOR			
		APPLICATION SPEC				
MATERIAL	FINISH	WEIGHT	SIZE	CAGE CODE	DRAWING NO	RESTRICTED TO
			A3		©- 1855063	
CUSTOMER DRAWING			SCALE	SHEET 1 OF 2	REV B1	

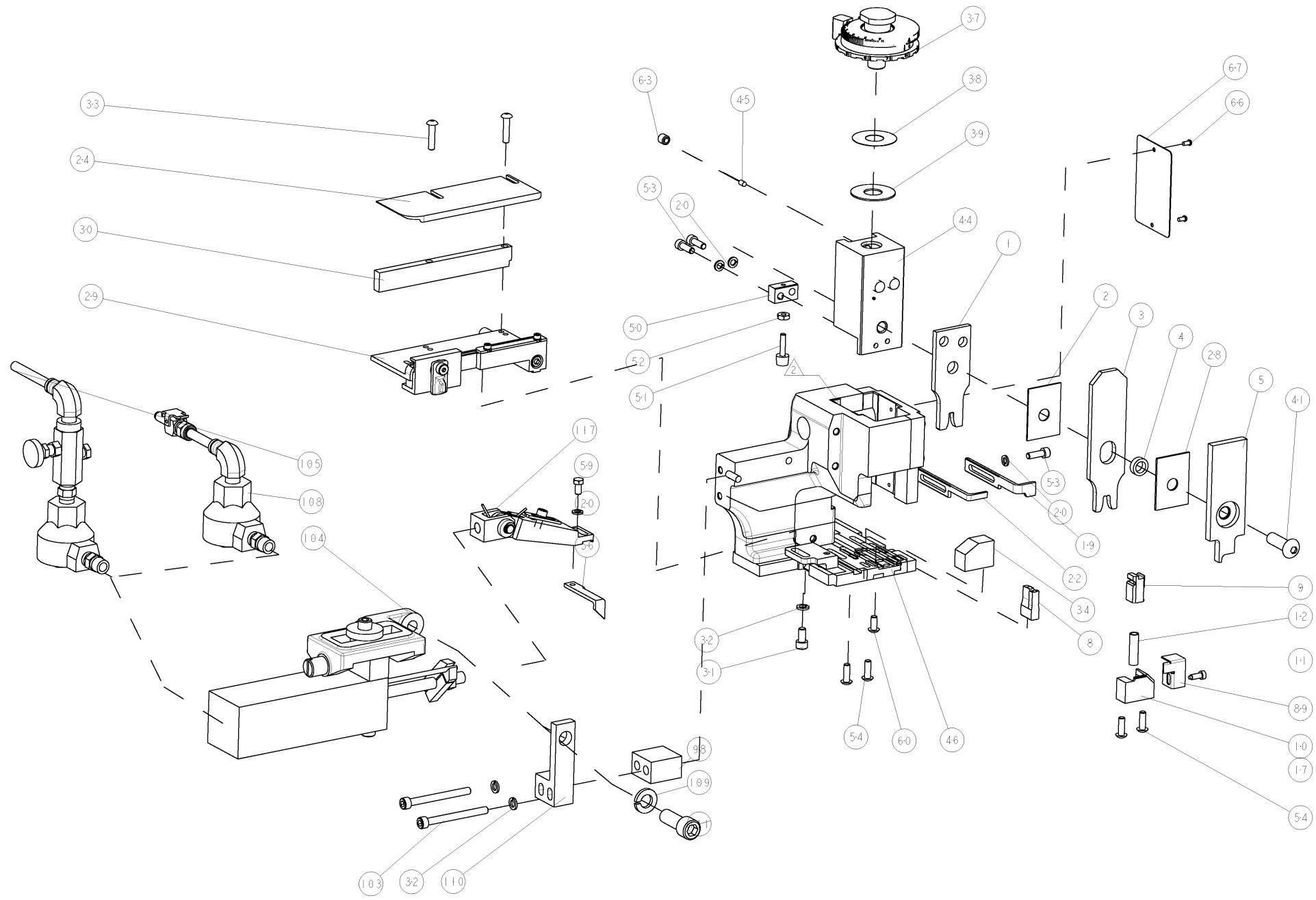
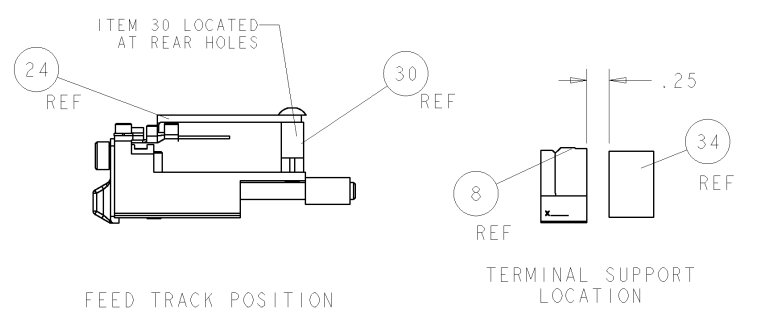
PART NUMBER	REV	FIRST USED	POWER UNIT	FEED TYPE	DESCRIPTION
1855063-1	B	122500-1	LEADMAKER	POST FEED	CUTS CARRIER
1855063-2	B	565435-5	BENCH MODEL K	PRE FEED	CUTS CARRIER
1855063-3	B	354500-1	BENCH MODEL G	PRE FEED	CUTS CARRIER
1855063-6	B	122500-1	LEADMAKER	POST FEED	CONTINUOUS CARRIER
7-1855063-7	A	-	-	-	SPARE PARTS

- △ RECOMMENDED SPARE PARTS
- △ GREASE LIGHTLY
- △ GUARD MUST BE IN PLACE WHEN OPERATING APPLICATOR IN A BENCH MACHINE



TERMINAL NAME: SPADE					
SPADE	RING	AMP TERMINAL - AMP CRIMP SPECS			
61857	61863				
61859	61864	REF SETTINGS	CRIMP HEIGHT	WIRE SIZE	
-	61867	B9	.095±.002[2.41±0.05mm]	14 AWG	
-	-	D0	.088±.002[2.24±0.05mm]	16 AWG	
-	-	D7	.084±.002[2.13±0.05mm]	18 AWG	
-	-	-	-	-	
-	-	CRIMP	SIZE	TYPE	RANGE
-	-	WIRE	.140 [3.56mm]	F	18-14 AWG
-	-	INSUL	.220 [5.59mm]	F	∅ .080-.115
WIRE STRIP LENGTH .196-.211	TERM APPL SPEC 114-2084	FEED .910	APPL INSTRUCTIONS 408-8040	SET UP GAGE 458637-1	

LOC	REV	DESCRIPTION	DATE	BY	CHK
A	66	REVISED	24APR2006	BH	BH
B		ECR-09-005818	12MAR2009	MY	TE



QTY	REF	PART NO	DESCRIPTION	ITEM NO
-	-	461062-1	FEED FINGER ASSEMBLY	117
-	-	455749-1	GUARD WINDOW	116
-	REF	679532-1	INSERT, GUARD	115
-	-	3-21001-5	SCR, SKT HD CAP 3/8-16 X 1.000	111
-	-	459610-3	MOUNT, FEED BRACKET	110
-	-	21024-8	WASHER, SPRG LOCK, REG 3/8	109
-	-	692655-7	AIR FEED VALVE ASSEMBLY	108
-	-	692655-5	AIR FEED VALVE ASSEMBLY	105
-	-	461065-2	ASSEMBLY, AIR FEED	104
-	2	4-21000-3	SCR, SKT HD CAP 10-32 X 2.000	103
-	-	461690-1	SPACER, AIR FEED	98
-	-	318563-1	GUARD, FRONT CHIP	89
-	-	4088040	SF APPL INST 408-8040	72
-	-	217238-1	GENERAL INSTRUCTION PKG	71
-	-	461264-5	PLATE, IDENTIFICATION	67
-	2	21017-2	SCREW, DRIVE	66
-	-	21009-2	SCR, SET, SELF LOCKING 1/4-20 X .250	63
-	-	22733-8	SCR, BHSC, SELF-LOCKING, 8-32 X .375	60
-	-	2-22603-0	SCREW, MACH, HEX HD, 8-32 X .312	59
-	-	458537-2	PAWL, FEED	56
-	4	2-21002-2	SCR, BTN SKT HD CAP 8-32 X .500	54
-	3	2-21000-7	SCR, SKT HD CAP 8-32 X .500	53
-	-	21018-5	NUT, HEX, REG 6-32	52
-	-	811242-2	BUMPER, HOLD DOWN	51
-	-	690753-1	SPACER, TONKER	50
-	-	1633399-1	APPL., BASIC AIR FEED SUB ASSY	46
-	-	690191-1	PLUG, NYLON	45
-	-	1-455673-5	RAM, SIDE FEED	44
-	-	7-21002-9	SCR, BTN SKT HD CAP 5/16-24 X 1.00	41
-	-	690125-1	SHIM SUB-ASSY	39
-	-	469367-7	SHIM	38
-	-	879103-2	FINE ADJUST HEAD SUBASSY	37
-	-	2-690786-3	TERMINAL SUPPORT	34
-	2	2-21002-4	SCR, BTN SKT HD CAP 8-32 X .750	33
-	3	21024-5	WASHER, SPRG LOCK, REG NO 10	32
-	-	3-21000-4	SCR, SKT HD CAP 10-32 X .375	31
-	-	1320908-3	SPACER, STRIP GUIDE	30
-	-	1633091-7	ASSEMBLY, STRIP GUIDE	29
-	-	1-455888-0	SPACER, CRIMPER	28
-	-	1320928-3	PLATE, STRIP GUIDE	24
-	-	690472-2	STRIPPER	22
-	4	21024-4	WASHER, SPRG LOCK, REG NO 8	20
-	-	691353-1	STRIPPER	19
-	-	679625-1	SHEAR HOLDER, FRONT (NO CUT)	17
-	-	3-22280-3	SPRING, COMPRESSION	12
-	-	690461-1	STOP, SHEAR	11
-	-	690459-1	SHEAR HOLDER, FRONT	10
-	-	454276-1	FLOATING SHEAR, FRONT	9
-	-	9-690471-7	ANVIL, COMBINATION	8
-	-	2-455889-0	DEPRESSOR, SHEAR	5
-	-	238011-1	BLOCK, CRIMPER SPACER	4
-	-	456134-2	CRIMPER, INSULATION F PREMIUM	3
-	-	455888-7	SPACER, CRIMPER	2
-	-	456411-9	CRIMPER, WIRE PREMIUM	1

DIMENSIONS	TOLERANCES UNLESS OTHERWISE SPECIFIED:	APPROVED	DATE	DESCRIPTION	ITEM NO
INCHES	0 PLC ±.010 1 PLC ±.005 2 PLC ±.001 3 PLC ±.001 4 PLC ±.0001	B. HIGMAN	29MAR2006	FINE ADJUST SIDE FEED HDM APPLICATOR	
MATERIAL	FINISH	E. ELBLIN	29MAR2006	PRODUCT SPEC	
				APPLICATION SPEC	
				WEIGHT	
				CUSTOMER DRAWING	

Mouser Electronics

Authorized Distributor

Click to View Pricing, Inventory, Delivery & Lifecycle Information:

[TE Connectivity:](#)

[1855063-1](#)