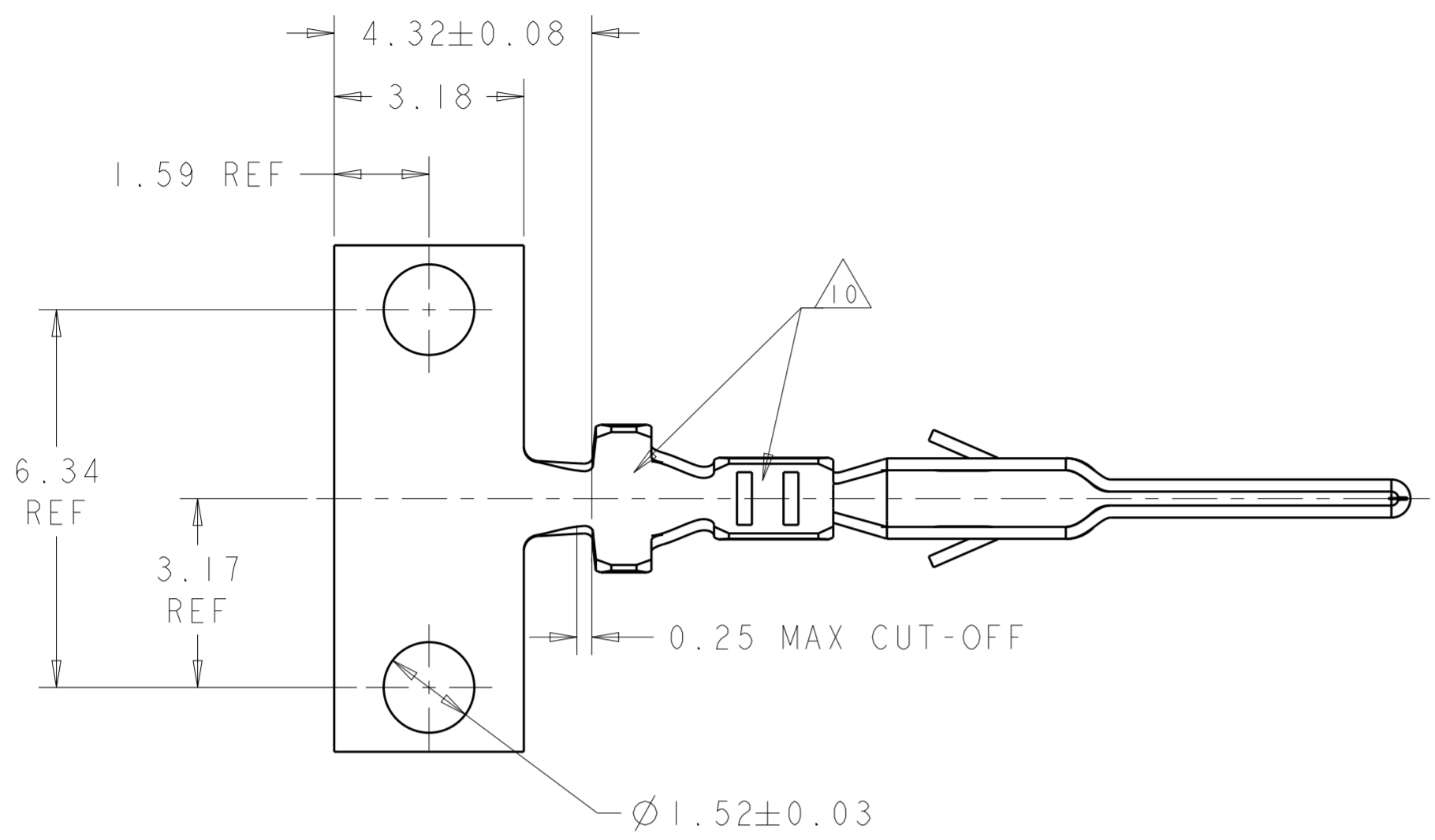
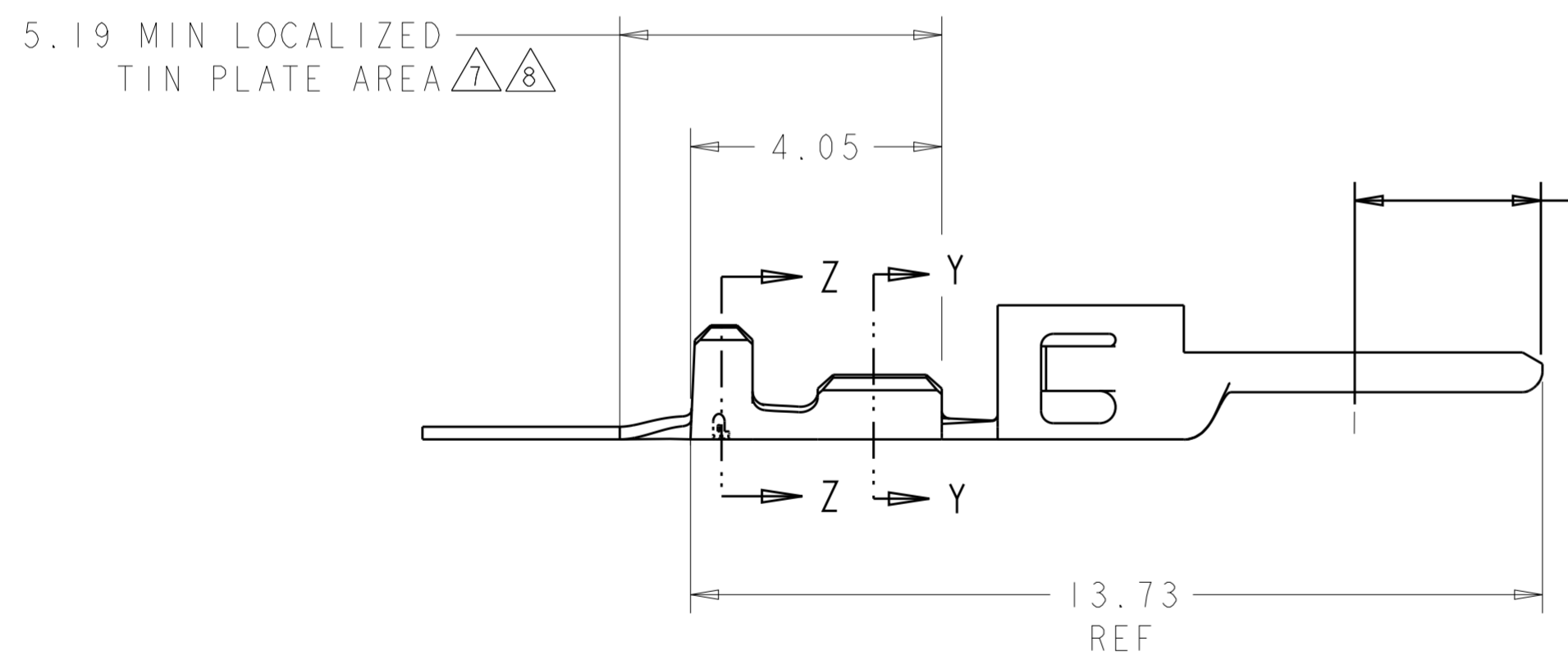


THIS DRAWING IS UNPUBLISHED. RELEASED FOR PUBLICATION 20
 © COPYRIGHT 20 BY - ALL RIGHTS RESERVED.

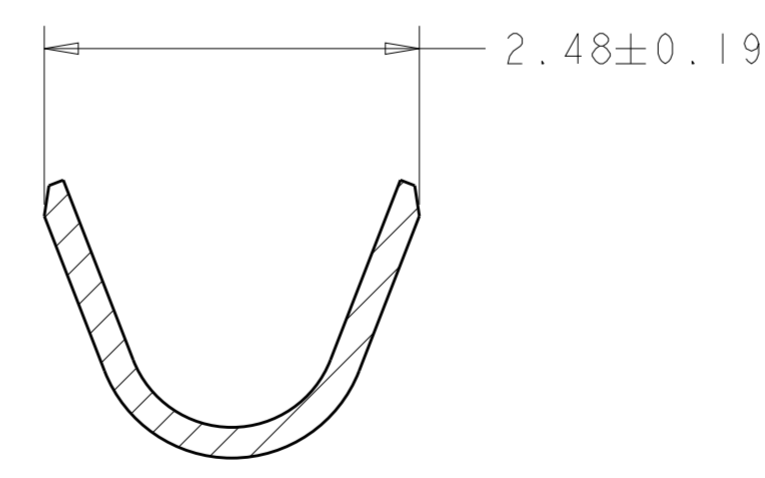
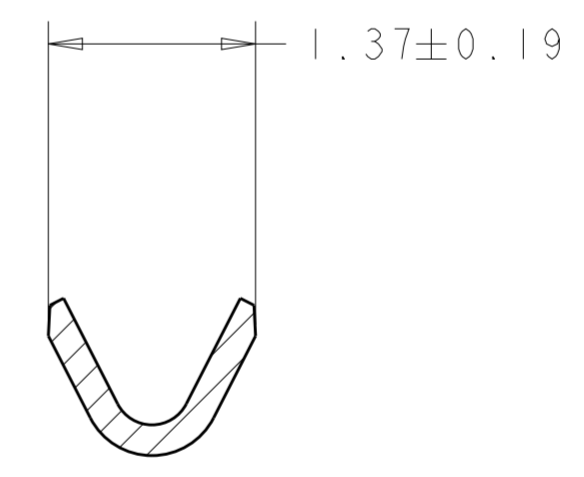
REVISIONS				
P	LTR	DESCRIPTION	DATE	APVD
C2		REVISED PER ECR-18-006831	12JUN2018	JB DZ



- 1 2.54-6.35 µm MIN BRIGHT TIN/LEAD ENTIRE STOCK OVER 1.27-3.81 µm MIN NICKEL ENTIRE STOCK.
- 2 0.38 µm MIN GOLD IN LOCALIZED GOLD PLATE AREA, 2.54-6.35 µm MIN BRIGHT TIN/LEAD IN LOCALIZED TIN/LEAD PLATE AREA, BOTH OVER 1.27-3.81 µm MIN NICKEL ON ENTIRE STOCK.
- 3 0.76 µm MIN GOLD IN LOCALIZED GOLD PLATE AREA, 2.54-6.35 µm MIN BRIGHT TIN/LEAD IN LOCALIZED TIN/LEAD PLATE AREA, BOTH OVER 1.27-3.81 µm MIN NICKEL ON ENTIRE STOCK.
- 4 WIRE RANGE 26-30 AWG.
- 5 INSULATION RANGE 0.89-1.52
- 6 2.54-6.35 µm MIN BRIGHT TIN ENTIRE STOCK OVER 1.27-3.81 µm MIN NICKEL ENTIRE STOCK.
- 7 0.38 µm MIN GOLD IN LOCALIZED GOLD PLATE AREA, 2.54-6.35 µm MIN BRIGHT TIN IN LOCALIZED TIN PLATE AREA, BOTH OVER 1.27-3.81 µm MIN NICKEL ON ENTIRE STOCK.
- 8 0.76 µm MIN GOLD IN LOCALIZED GOLD PLATE AREA, 2.54-6.35 µm MIN BRIGHT TIN IN LOCALIZED TIN PLATE AREA, BOTH OVER 1.27-3.81 µm MIN NICKEL ON ENTIRE STOCK.
- 9 NOTE DELETED.
- 10 TIN PLATING THICKNESS INSIDE WIRE AND INSULATION BARRELS TO BE 1.27 µm MIN.

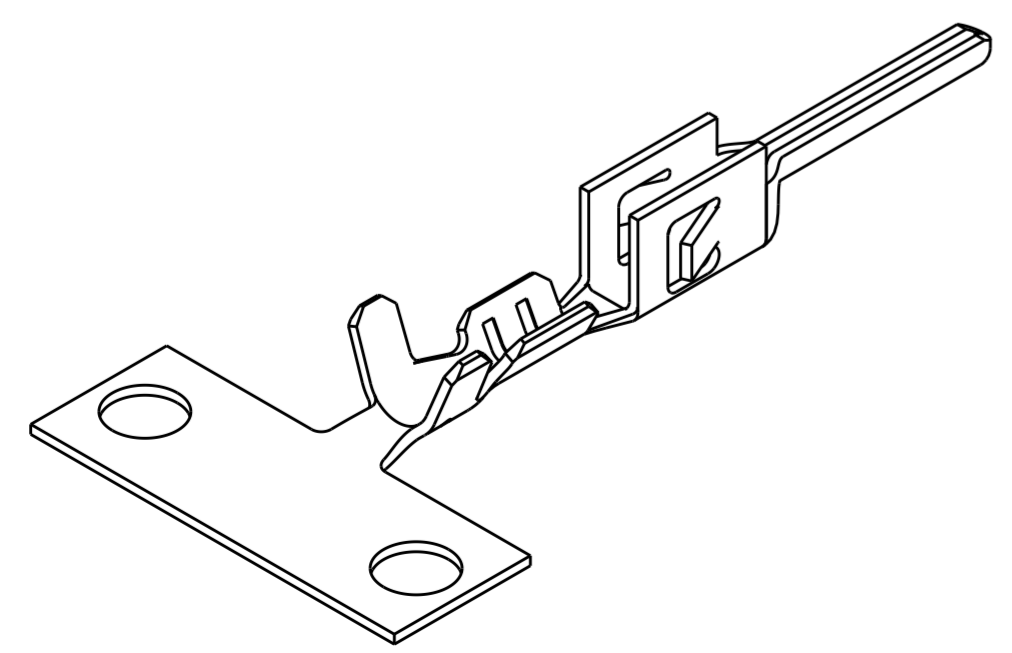


3.00 MIN LOCALIZED GOLD PLATE AREA 7 8



SECTION Z-Z SCALE 20:1

REMARKS	FINISH	PART NUMBER
	8	1-794609-2
	7	1-794609-1
	6	1-794609-0
SUPERSEDED BY 1-794609-2	3	794609-3
SUPERSEDED BY 1-794609-1	2	794609-2
SUPERSEDED BY 1-794609-0	1	794609-1



THIS DRAWING IS A CONTROLLED DOCUMENT.

DIMENSIONS: mm	TOLERANCES UNLESS OTHERWISE SPECIFIED:	DWN W J RUDY 29AUG2000	TE Connectivity
		CHK W DAVIS 29AUG2000	
		APVD W DAVIS 29AUG2000	
		PRODUCT SPEC	
MATERIAL 0.20 THK BRASS		APPLICATION SPEC	NAME PLUG CONTACT, CRIMP SNAP, 26-30 AWG, MICRO MATE-N-LOK(TM)
		WEIGHT	SIZE A2 CAGE CODE 00779 DRAWING NO C-794609 RESTRICTED TO
		CUSTOMER DRAWING	SCALE 10:1 SHEET 1 OF 1 REV C2

Mouser Electronics

Authorized Distributor

Click to View Pricing, Inventory, Delivery & Lifecycle Information:

[TE Connectivity:](#)

[794609-1](#)