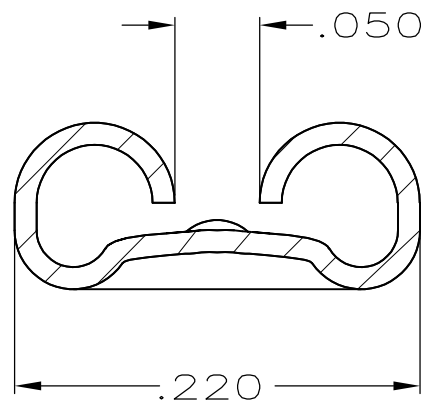
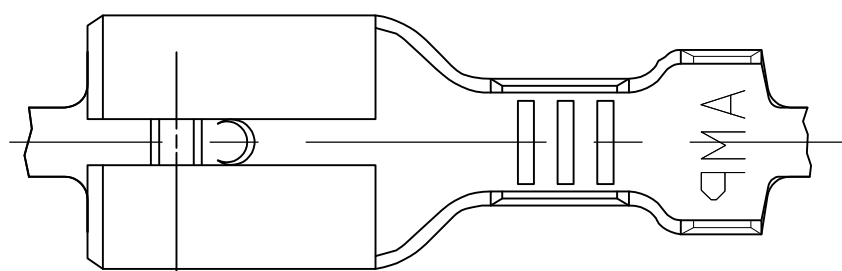


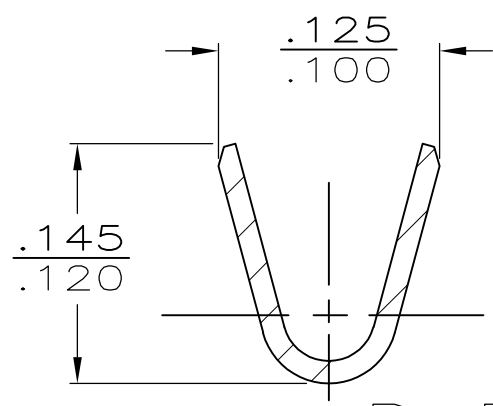
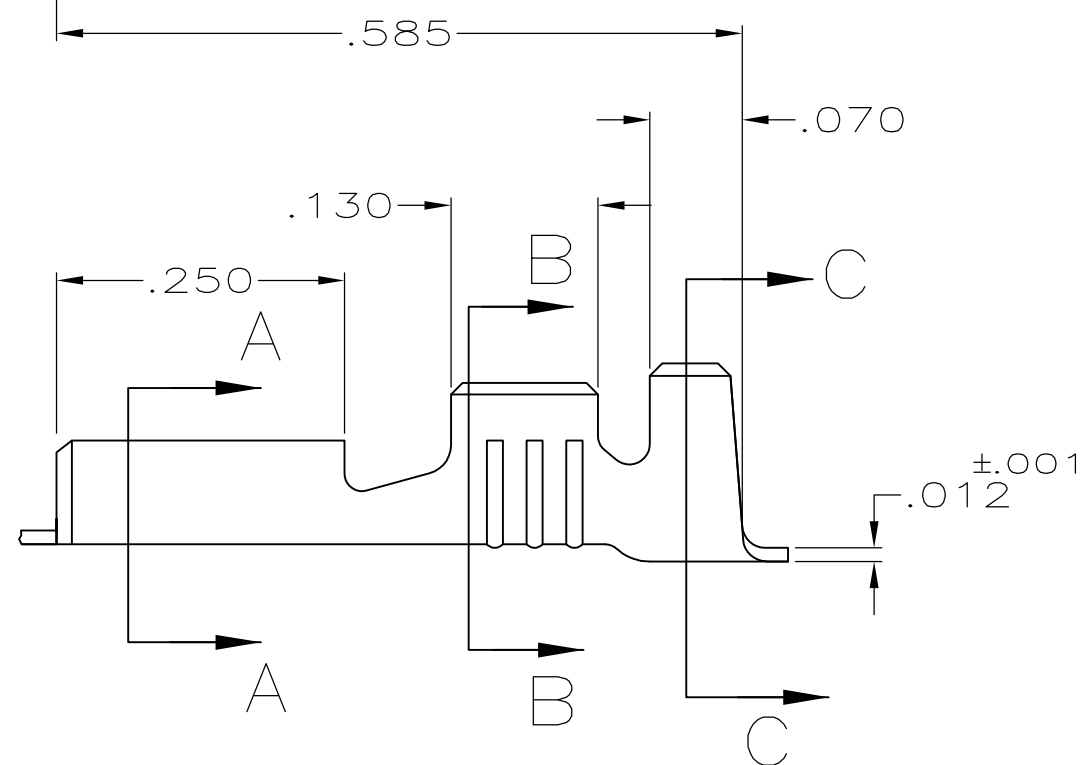
THIS DRAWING IS UNPUBLISHED. RELEASED FOR PUBLICATION
 © COPYRIGHT - By - ALL RIGHTS RESERVED.

LOC	DIST	REVISIONS			
P	LTR	DESCRIPTION	DATE	DWN	APVD
AF	50	U2	REV PER ECO 13-010686	27JUN13	JR PD

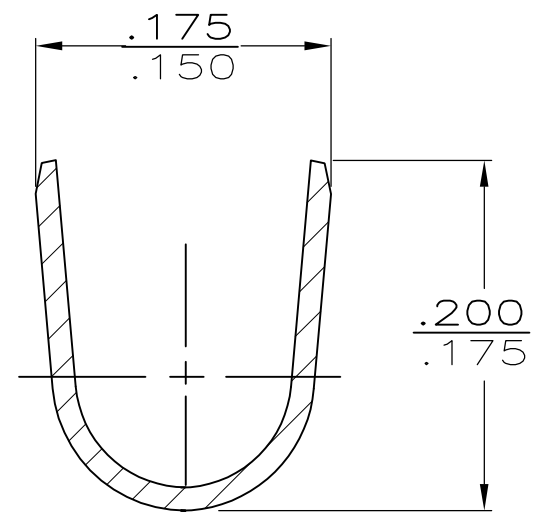
- CONTINUOUS STRIP ON REELS
- MATING TAB THK IS $.020 \pm .001$
- WIRE SIZE IS #20-#16 AWG
- INSULATION RANGE IS $.090 - .130$ DIA



SECTION A-A
SCALE 8:1



SECTION B-B
SCALE 8:1



SECTION C-C
SCALE 8:1

OBSOLETE	TIN	#4H PH BRZ	42617-4
OBSOLETE	-	#4H PH BRZ	42617-3
	TIN	BRASS	42617-2
	-	BRASS	42617-1
	FINISH	MATERIAL	PART NO.

THIS DRAWING IS A CONTROLLED DOCUMENT.		DWN	JR RUTH	10/27/89	STE TE Connectivity												
DIMENSIONS: INCHES		CHK	MS FEHER	10/27/89													
TOLERANCES UNLESS OTHERWISE SPECIFIED:		APVD	C MEYERS	10/27/89													
<table border="1"> <tr><td>0 PLC</td><td>± -</td></tr> <tr><td>1 PLC</td><td>± -</td></tr> <tr><td>2 PLC</td><td>± -</td></tr> <tr><td>3 PLC</td><td>± .015</td></tr> <tr><td>4 PLC</td><td>± -</td></tr> <tr><td>ANGLES</td><td>± -</td></tr> </table>		0 PLC	± -	1 PLC		± -	2 PLC	± -	3 PLC	± .015	4 PLC	± -	ANGLES	± -	PRODUCT SPEC	-	NAME
0 PLC	± -																
1 PLC	± -																
2 PLC	± -																
3 PLC	± .015																
4 PLC	± -																
ANGLES	± -																
MATERIAL	SEE TABLE	FINISH	SEE TABLE	APPLICATION SPEC	-												
		WEIGHT	-	SIZE	A3												
		CUSTOMER DRAWING		CAGE CODE	00779												
				DRAWING NO	C-42617												
				RESTRICTED TO	-												
				SCALE	6:1												
				SHEET	1 OF 1												
				REV	U2												

Mouser Electronics

Authorized Distributor

Click to View Pricing, Inventory, Delivery & Lifecycle Information:

[TE Connectivity:](#)

[42617-2 \(CUT STRIP\)](#) [42617-2 \(MOUSER REEL\)](#)