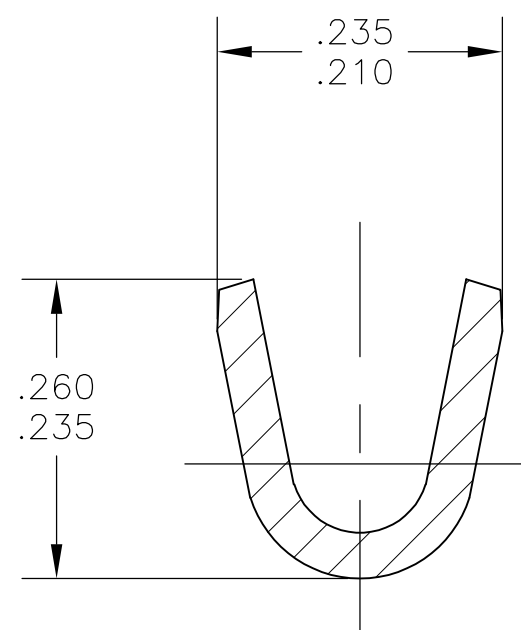
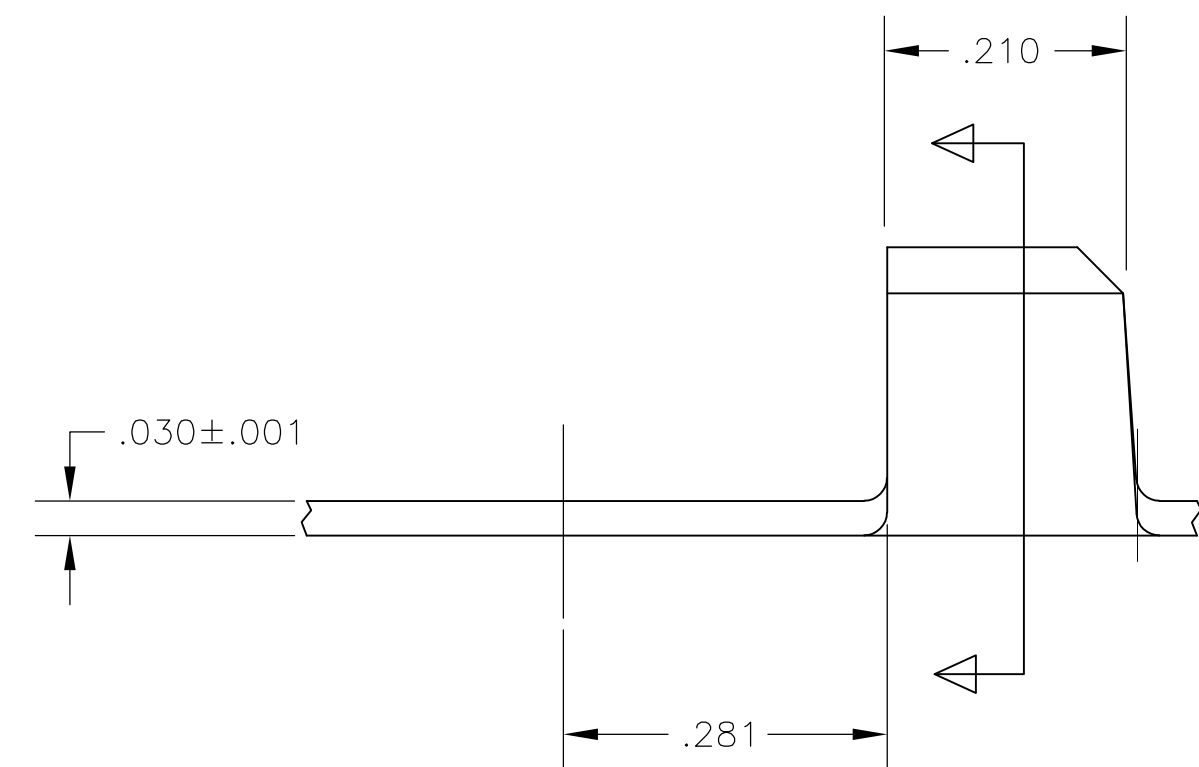
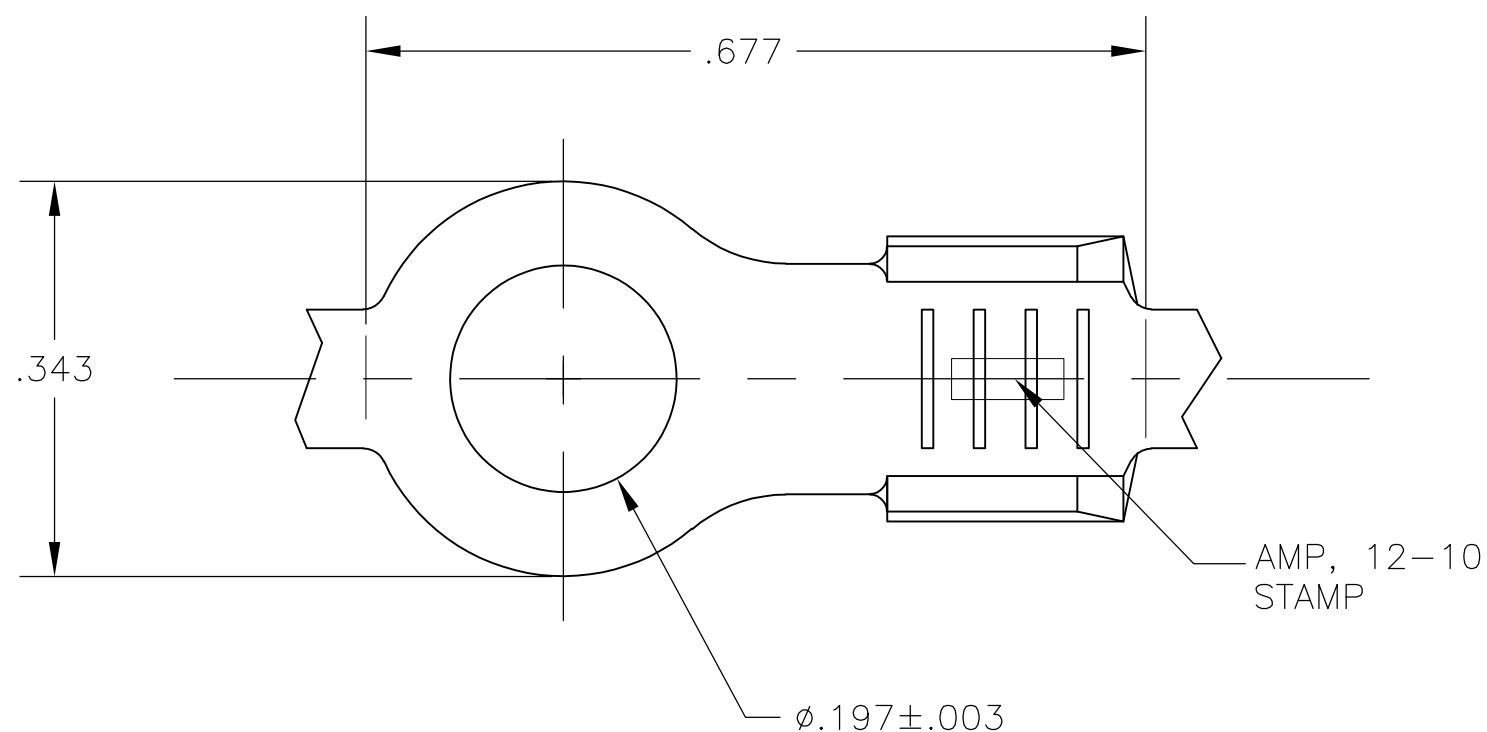


THIS DRAWING IS UNPUBLISHED. RELEASED FOR PUBLICATION
 © COPYRIGHT 64 BY TYCO ELECTRONICS CORPORATION. ALL INTERNATIONAL RIGHTS RESERVED.

LOC	DIST	REVISIONS			
P	LTR	DESCRIPTION	DATE	DWN	APVD
AF	50	P			
		P	REVISED PER ECR-08-008189	24NOV08	HMR DD



- 1 CONTINUOUS STRIP ON REELS.
- 2 TIN PLATING.
- 3 NICKEL PLATING.
- 4 REDUCED PACKAGE QUANTITY.
- 5 PRELIMINARY - NOT FOR PRODUCTION.

WIRE RANGE	FINISH	PART NUMBER
12-10 AWG	2	40696-2
12-10 AWG	3	40696-1
12-10 AWG	2	40696

THIS DRAWING IS A CONTROLLED DOCUMENT.		DWN 14FEB2002 MICHAEL S. FEHER	Tyco Electronics Corporation Harrisburg, PA 17105-3608	
DIMENSIONS: INCHES	TOLERANCES UNLESS OTHERWISE SPECIFIED:	CHK 14FEB2002 DONALD F. DECKER	NAME TERMINAL, RING #10 STUD	
	0 PLC ± -	APVD 14FEB2002 DONALD F. DECKER	SIZE	RESTRICTED TO
	1 PLC ± -	PRODUCT SPEC	CAGE CODE	
	2 PLC ± -	APPLICATION SPEC	DRAWING NO	
	3 PLC ± .010		SCALE	
	4 PLC ± -	WEIGHT	6:1	
	ANGLES ± 1°		SHEET	
MATERIAL	FINISH	CUSTOMER DRAWING	1 of 1	REV P
O82 BRASS	SEE TABLE			

Mouser Electronics

Authorized Distributor

Click to View Pricing, Inventory, Delivery & Lifecycle Information:

[TE Connectivity:](#)

[40696](#) [40696 \(MOUSER REEL\)](#)