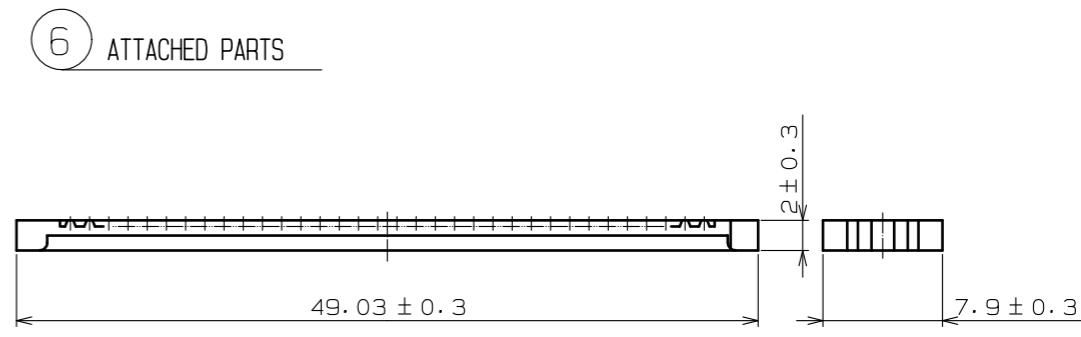
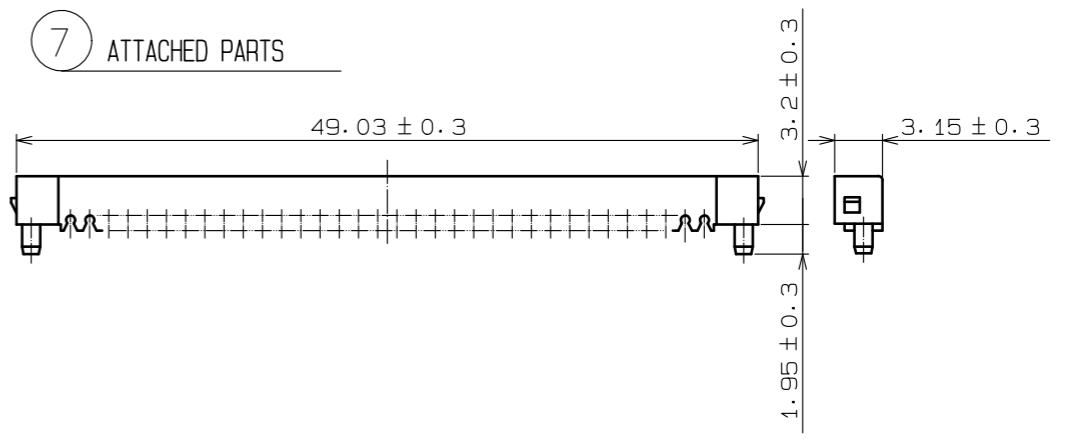
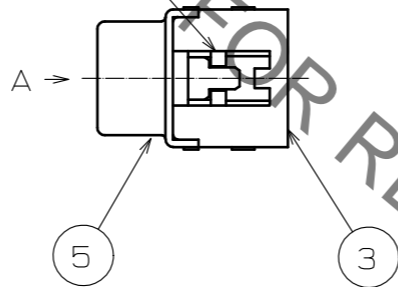
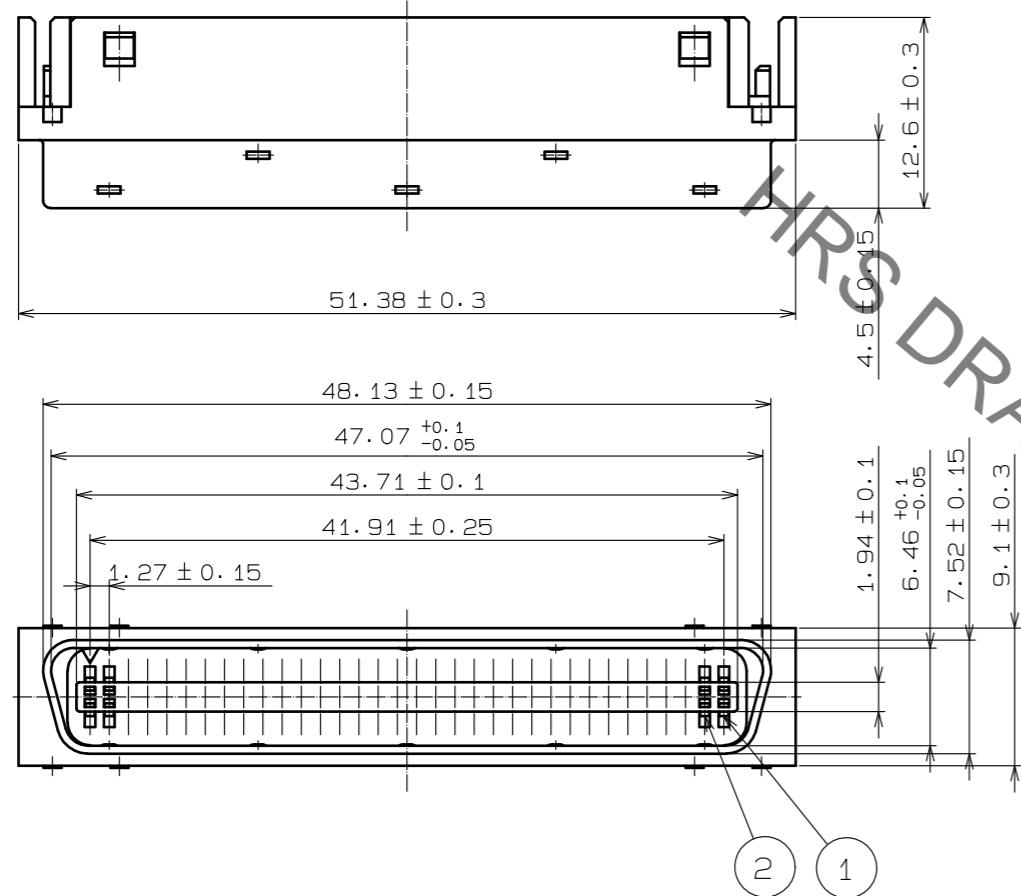


Sep.1.2020 Copyright 2020 HIROSE ELECTRIC CO., LTD. All Rights Reserved.
In case of consideration for using Automotive equipment / device which demand high reliability, kindly contact our sales window correspondents.



NOTE 1 FIXING FORCE OF REF.NO ③ TO BE 100N MIN TO DIRECTION A.

4	PBT	UL94V-0 (BLACK)					
3	PBT	UL94V-0 (BLACK)	7	PPS Δ	UL94V-0 (BLACK)		
2	BERYLIUM COPPER	CONTACT AREA: GOLD PLATING IDC AREA: GOLD FLASH PLATING	6	PBT	UL94V-0 (BLACK)		
1	BERYLIUM COPPER	CONTACT AREA: GOLD PLATING IDC AREA: GOLD FLASH PLATING	5	STEEL	NICKEL PLATING		
NO.	MATERIAL	FINISH . REMARKS	NO.	MATERIAL	FINISH . REMARKS		
UNITS mm	\odot \triangleleft	SCALE 2 : 1	COUNT Δ 1	DESCRIPTION OF REVISIONS DIS-E-00001926	DESIGNED YS. SAKODA	CHECKED TU. TANIGUCHI	DATE 20181115
HRS HIROSE ELECTRIC CO., LTD.		APPROVED : HO. MIWA	20050105	DRAWING NO. EDC-040387-00-00			
		CHECKED : YH. ENAMI	20050105	PART NO. DX30AM-68P			
		DESIGNED : TU. TANIGUCHI	20050105	CODE NO. CL230-5029-8-00			
		DRAWN : TU. TANIGUCHI	20050105	1/1			