

THIS DRAWING IS UNPUBLISHED.

RELEASED FOR PUBLICATION

© COPYRIGHT -

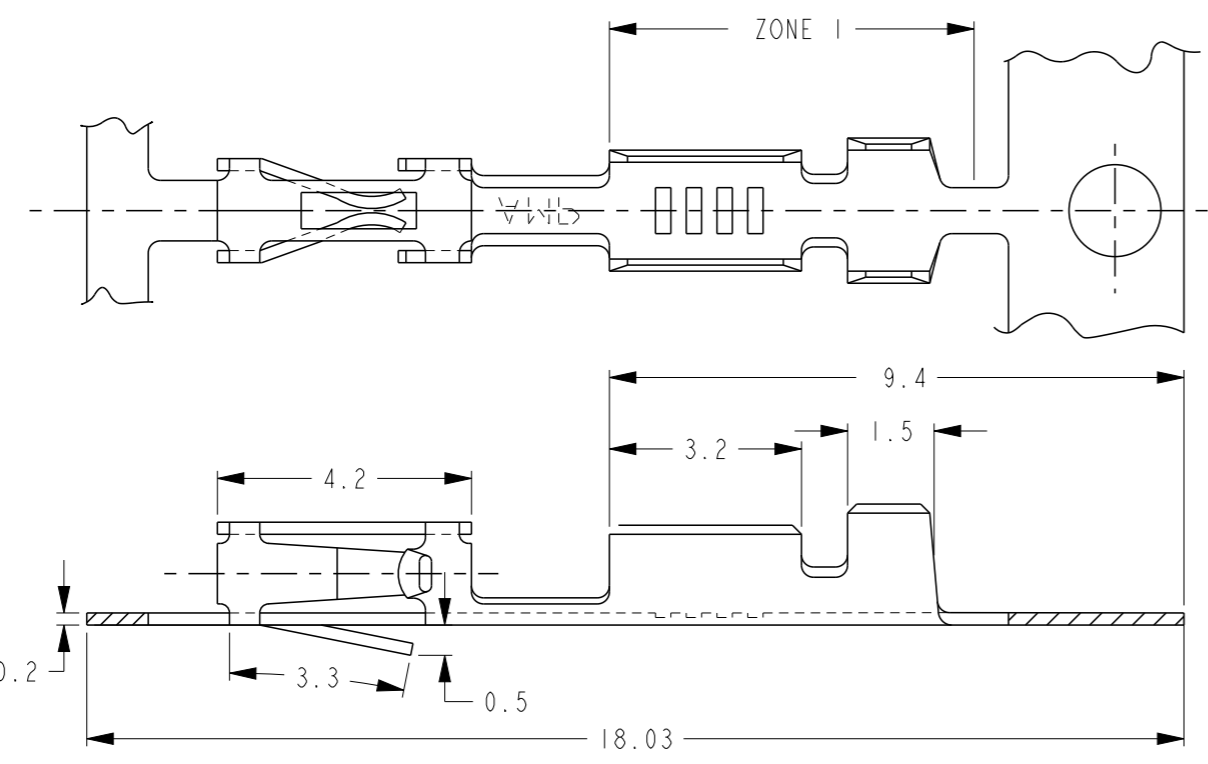
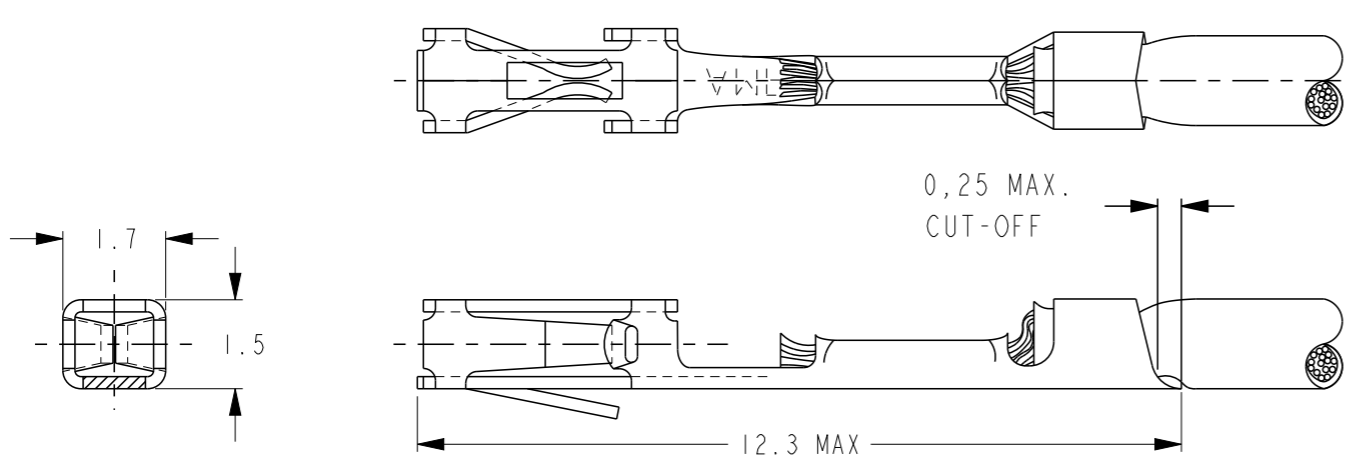
ALL RIGHTS RESERVED.

LOC
H

DIST
-

REVISIONS

P	LTR	DESCRIPTION	DATE	DWN	APVD
	C3	REVISED PER ECO-12-021315	10JAN2012	KH	JO



- 1 FOR MINI-APPLICATOR-CRIMPING.
- 2 UNDERCOATING: 1,25µm Ni, SELECTIVE: 0,8µm Au, NO GOLDFLASH.
- 3 UNDERCOATING: 1,25µm Ni, SELECTIVE: 0,8µm Au, REMAINDER: GOLDFLASH.
- 4 PRE-TINPLATED: 2,0µm.
- 5 ZONE 1: MATT TIN PLATED.
- 6 MATERIAL: PHOSPHORBRONZE
- 7 FOR REELFED-HANDTOOL-CRIMPING, 500 CONTACTS ON A SMALL REEL.
24-20 AWG (0,20-0,56 mm²) WITH .055 CRIMPER.
26 AWG (0,12-0,14 mm²) WITH .042 CRIMPER.
- 8 OBSOLETE PARTS: OBSOLETE CIS STREAMLINING PER D.RENAUD/D.SINISI

WIRE RANGE 8
INSUL. RANGE 1,4 MAX. DIA.

TIN	4	166310-3	5-166309-3	7
GOLD	3	166310-2	5-166309-2	7
GOLD	2 5	166310-1	5-166309-1	7
TIN	4	166310-3	166309-3	1
GOLD	3	166310-2	166309-2	1
GOLD	2 5	166310-1	166309-1	1
FINISH		LOOSE PIECE	PARTNUMBER	

THIS DRAWING IS A CONTROLLED DOCUMENT.

DWN Rv HEUVEN 25JUNE07
CHK MvD 25JUNE07
APVD MvD
PRODUCT SPEC -
APPLICATION SPEC -
WEIGHT -

STE TE Connectivity

AMPMODU MOD. V
RECEPTACLE,
HIGH PRESSURE, STRIP.

DIMENSIONS: mm
TOLERANCES UNLESS OTHERWISE SPECIFIED:
0 PLC ±-
1 PLC ±-
2 PLC ±-
3 PLC ±-
4 PLC ±-
ANGLES ±-
FINISH SEE TABLE

MATERIAL -

CUSTOMER DRAWING

SIZE A3 CAGE CODE 00779 DRAWING NO C-166309 RESTRICTED TO -
SCALE NTS SHEET 1 OF 1 REV C3

Mouser Electronics

Authorized Distributor

Click to View Pricing, Inventory, Delivery & Lifecycle Information:

[TE Connectivity:](#)

[166309-2](#)