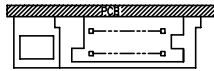
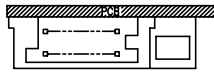
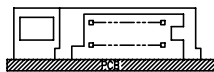
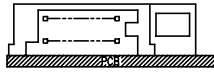


PRODUCT NO.
92193

REVISIONS			
REV	DESCRIPTION	ECN	BY DATE
V	CORRECT WRONG DRAWING	N08-0163	SH 6/3/09
B	REVISED	J30128	M.K 4/27/94
C	REVISED	J40163	M.K 5/28/94
D	REVISED	V40740	M.K 6/24/94
E	REVISED	V40840	M.K 7/5/94
F	REVISED	J40198	M.K 7/19/94
G	REVISED	V32120	M.K 12/27/94
H	REVISED	J40349	M.K 1/20/95
J	REVISED	J50242	M.K 9/18/95
K	REVISED	V60956	M.K 7/29/96
L	REVISED/ADDED-050CAH -130CA -130CAH	J70134	K.S 8/8/97
M	REVISED	N90076	M.K 7/22/99
N	REVISED (ADDED-502FA)	V91593	M.K 11/11/99
P	REVISED	J05-0198	M.H 4/4/05
R	REVISED	V04-0820	M.H 4/25/05

PRODUCT NO. *92193-XXXXX	STAND OFF(mm)	DIM "N" (mm)	PUSH ROD COLOR	HDR SOLDER TAIL	HOLD DOWN	MECH ASSY 92192-XXXXX	HDR ASSY 92140-XXXXX	DIM "P" (mm)	HDR COLOR	SHEET NO.	MOUNT STYLE TO PCB & DIRECTION OF PUSH ROD
000AA	0	8	BLACK	R/A	NONE	00AA	000	2.8			
000CA	0	13	BLACK	R/A	NONE	00CA	000	2.8			
000CAH	0	13	BLACK	R/A	YES	00CAH	000H	2.8			
000CB	0	13	BLUE	R/A	NONE	00CB	000	2.8			
000CBH	0	13	BLUE	R/A	YES	00CBH	000H	2.8			
000FA	0	21	BLACK	R/A	YES	00FA	000	2.8			
001AA	0	8	BLACK	SMT STAGGERED	NONE	00AA	001	--	BLACK	NO.2	TOP MOUNT TO PCB & RIGHT PUSH ROD
001AAH	0	8	BLACK	SMT STAGGERED	YES	00AAH	001H	--			
001CA	0	13	BLACK	SMT STAGGERED	NONE	00CA	001	--			
001CAH	0	13	BLACK	SMT STAGGERED	YES	00CAH	001H	--			
001FA	0	21	BLACK	SMT STAGGERED	NONE	00FA	001	--			
001FAH	0	21	BLACK	SMT STAGGERED	YES	00FAH	001H	--			
002CA	0	13	BLACK	SMT IN LINE	NONE	00CA	002	--			
002CAH	0	13	BLACK	SMT IN LINE	YES	00CAH	002H	--			
020CA	2	13	BLACK	R/A	NONE	02CA	040	2.5	BLACK	NO.3	
040CA	4	13	BLACK	R/A	NONE	04CA	010	2.8			
050CA	5	13	BLACK	R/A	NONE	05CA	020	2.8			
050CAH	5	13	BLACK	R/A	YES	05CAH	020H	2.8			
100CA	0	13	BLACK	R/A	NONE	10CA	000	2.8			
100CAH	0	13	BLACK	R/A	YES	10CAH	000H	2.8			
101CA	0	13	BLACK	SMT STAGGERED	NONE	10CA	001	--	BLACK	NO.4	TOP MOUNT TO PCB & LEFT PUSH ROD
101CAH	0	13	BLACK	SMT STAGGERED	YES	10CAH	001H	--			
101FA	0	21	BLACK	SMT STAGGERED	NONE	10FA	001	--			
101FAH	0	21	BLACK	SMT STAGGERED	YES	10FAH	001H	--			
102CA	0	13	BLACK	SMT IN LINE	NONE	10CA	002	--			
102CAH	0	13	BLACK	SMT IN LINE	YES	10CAH	002H	--			
120CA	2	13	BLACK	R/A	NONE	12CA	040	2.5			
120FA	2	21	BLACK	R/A	NONE	12FA	040	2.5			
130CA	3	13	BLACK	R/A	NONE	13CA	050	2.8	BLACK	NO.5	
130CAH	3	13	BLACK	R/A	YES	13CAH	050H	2.8			
140CA	4	13	BLACK	R/A	NONE	14CA	010	2.8			
150CA	5	13	BLACK	R/A	NONE	15CA	020	2.8			
500CA	0	13	BLACK	R/A	NONE	10CA	500	2.8			
500CAH	0	13	BLACK	R/A	YES	10CAH	500H	2.8			
500FA	0	21	BLACK	R/A	NONE	10FA	500	2.8			
501CA	0	13	BLACK	SMT STAGGERED	NONE	10CA	501	--	NATURAL	NO.6	BOTTOM MOUNT TO PCB & RIGHT PUSH ROD
501CAH	0	13	BLACK	SMT STAGGERED	YES	10CAH	501H	--			
502CA	0	13	BLACK	SMT IN LINE	NONE	10CA	502	--			
502CAH	0	13	BLACK	SMT IN LINE	YES	10CAH	502H	--			
502FA	0	21	BLACK	SMT IN LINE	NONE	10FA	502	--			
520CA	2	13	BLACK	R/A	NONE	12CA	540	2.5	NATURAL	NO.7	
540CA	4	13	BLACK	R/A	NONE	14CA	510	2.8			
550CA	5	13	BLACK	R/A	NONE	15CA	520	2.8			
600CA	0	13	BLACK	R/A	NONE	00CA	500	2.8			
600CAH	0	13	BLACK	R/A	YES	00CAH	500H	2.8			
601CA	0	13	BLACK	SMT STAGGERED	NONE	00CA	501	--	NATURAL	NO.8	BOTTOM MOUNT TO PCB & LEFT PUSH ROD
601CAH	0	13	BLACK	SMT STAGGERED	YES	00CAH	501H	--			
602CA	0	13	BLACK	SMT IN LINE	NONE	00CA	502	--			
602CAH	0	13	BLACK	SMT IN LINE	YES	00CAH	502H	--			
620CA	2	13	BLACK	R/A	NONE	02CA	540	2.5	NATURAL	NO.9	
640CA	4	13	BLACK	R/A	NONE	04CA	510	2.8			
650CA	5	13	BLACK	R/A	NONE	05CA	520	2.8			



*92193-XXXXXX

OPTIONAL LEAD FREE NONE : N □
LF : YES (SEE NOTE 1)

OPTIONAL HOLD DOWN NONE : N □
H : YES

PUSH ROD COLOR A : BLACK
B : BLUE

PUSH ROD LENGTH (DIM "N") A : 8mm
C : 13mm
F : 21mm

HDR SOLDER TAIL 0 : R/A
1 : SMT STAGGERED
2 : SMT IN LINE

STAND OFF HEIGHT (DIM "M") 0 : 0mm(NONE)
2 : 2mm
3 : 3mm
4 : 4mm
5 : 5mm

MOUNT STYLE TO PCB & DIRECTION OF PUSH ROD 0 : TOP MOUNT & RIGHT PUSH ROD
1 : TOP MOUNT & LEFT PUSH ROD
5 : BOTTOM MOUNT & RIGHT PUSH ROD
6 : BOTTOM MOUNT & LEFT PUSH ROD

"W"

TYP.(4)

HOLD DOWN

SECTION "W"-"W"

92193-xxxH
(OPTIONAL HOLD DOWN)

NOTE
1.THIS PRODUCT MEETS EUROPEAN UNION
DIRECTIVES AND OTHER COUNTRY
REGULATIONS AS DESCRIBED IN GS-22-008.

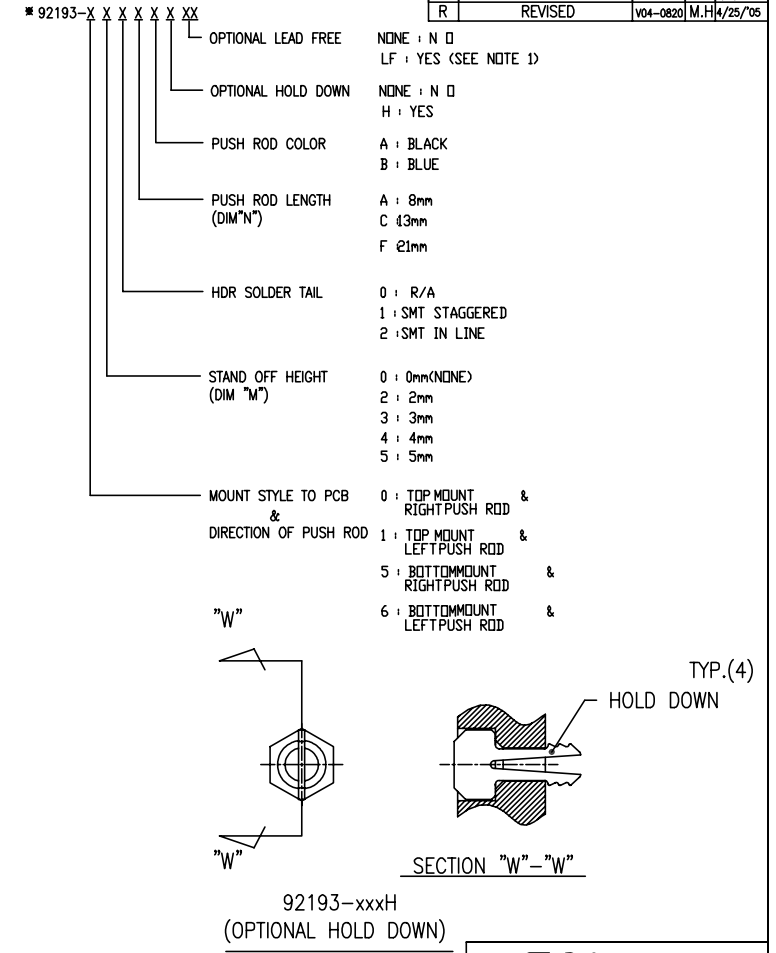
SHEET INDEX	ISSUE	SH NO.	MAT	DR M. Hasegawa	DATE 4/25/05	CUSTOMER COPY	TITLE 68P EJECTOR HEADER ASSY FOR TYPE I/II/III (FOR 5.0V)
LINEAR	TOLERANCES UNLESS OTHERWISE SPECIFIED		FINISH	CHK M. Hasegawa	DATE 4/25/05	THIRD ANGLE PROJ	PRODUCT FAMILY SANF Header PCMCIA
ANGLES				APPD		SCALE	SIZE DWG. NO. 92193
						UNIT	REV SHEET 1 of 10



PRODUCT NO.
92193

REVISIONS			
REV	DESCRIPTION	ECN	BY DATE
A	CORRECT WRONG DRAWING	N09-0163	SH 6/3/09
B	REVISED	J30128	M.K 4/27/94
C	REVISED	J40163	M.K 5/28/94
D	REVISED	V40740	M.K 6/24/94
E	REVISED	V40840	M.K 7/5/94
F	REVISED	J40198	M.K 7/19/94
G	REVISED	V32120	M.K 12/27/94
H	REVISED	J40349	M.K 1/20/95
J	REVISED	J50242	M.K 9/18/95
K	REVISED	V60956	M.K 7/29/96
L	REVISED/ADDED-050CAH -130CA -130CAH	J70134	K.S 8/8/97
M	REVISED	N90076	M.K 7/22/99
N	REVISED (ADDED-502FA)	V91593	M.K 11/11/99
P	REVISED	J05-0198	M.H 4/4/05
R	REVISED	V04-0820	M.H 4/25/05

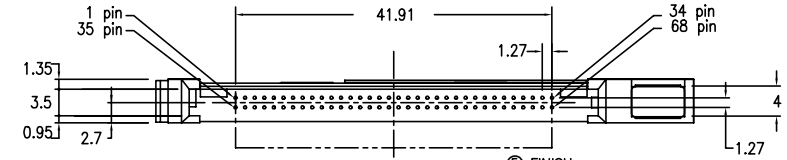
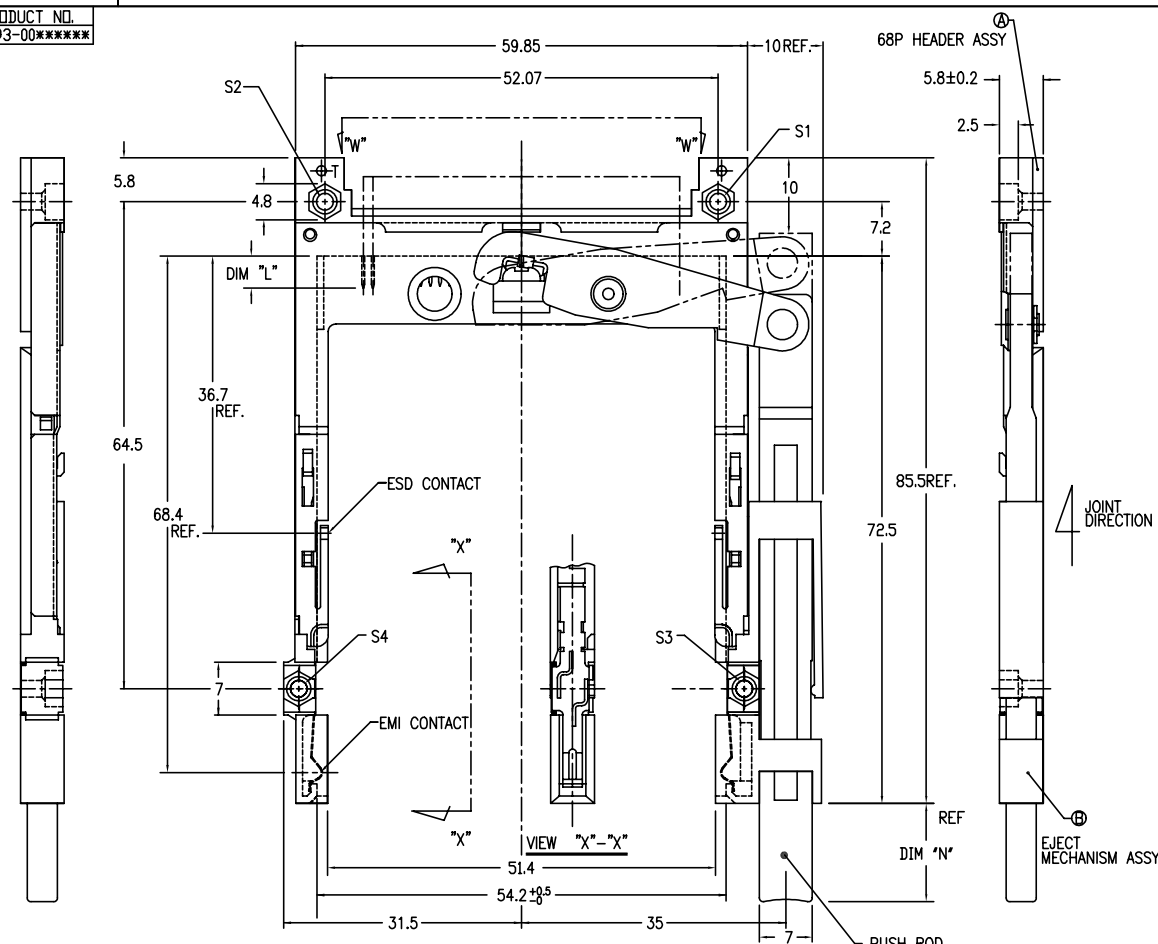
PRODUCT NO. *92193-XXXXX	STAND OFF(mm)	DIM "N" (mm)	PUSH ROD COLOR	HDR SOLDER TAIL	HOLD DOWN	MECH ASSY 92192-XXXXX	HDR ASSY 92140-XXXXX	DIM "P" (mm)	HDR COLOR	SHEET NO.	MOUNT STYLE TO PCB & DIRECTION OF PUSH ROD
000AALF	0	8	BLACK	R/A	NONE	00AA	000LF	2.8			
000CALF	0	13	BLACK	R/A	NONE	00CA	000LF	2.8			
000CAHLF	0	13	BLACK	R/A	YES	00CAH	000HLF	2.8			
000CBLF	0	13	BLUE	R/A	NONE	00CB	000LF	2.8			
000CBHLF	0	13	BLUE	R/A	YES	00CBH	000HLF	2.8			
000FALF	0	21	BLACK	R/A	YES	00FA	000LF	2.8			
001AA	0	8	BLACK	SMT STAGGERED	NONE	00AA	001	--	BLACK	NO.2	TOP MOUNT TO PCB & RIGHT PUSH ROD
001AAH	0	8	BLACK	SMT STAGGERED	YES	00AAH	001H	--			
001CA	0	13	BLACK	SMT STAGGERED	NONE	00CA	001	--			
001CAH	0	13	BLACK	SMT STAGGERED	YES	00CAH	001H	--			
001FA	0	21	BLACK	SMT STAGGERED	NONE	00FA	001	--			
001FAH	0	21	BLACK	SMT STAGGERED	YES	00FAH	001H	--			
002CA	0	13	BLACK	SMT IN LINE	NONE	00CA	002	--			
002CAH	0	13	BLACK	SMT IN LINE	YES	00CAH	002H	--			
020CALF	2	13	BLACK	R/A	NONE	02CA	040LF	2.5			
040CALF	4	13	BLACK	R/A	NONE	04CA	010LF	2.8			
050CALF	5	13	BLACK	R/A	NONE	05CA	020LF	2.8			
050CAHLF	5	13	BLACK	R/A	YES	05CAH	020HLF	2.8			
100CALF	0	13	BLACK	R/A	NONE	10CA	000LF	2.8			
100CAHLF	0	13	BLACK	R/A	YES	10CAH	000HLF	2.8			
101CA	0	13	BLACK	SMT STAGGERED	NONE	10CA	001	--			
101CAH	0	13	BLACK	SMT STAGGERED	YES	10CAH	001H	--			
101FA	0	21	BLACK	SMT STAGGERED	NONE	10FA	001	--			
101FAH	0	21	BLACK	SMT STAGGERED	YES	10FAH	001H	--			
102CA	0	13	BLACK	SMT IN LINE	NONE	10CA	002	--			
102CAH	0	13	BLACK	SMT IN LINE	YES	10CAH	002H	--			
120CALF	2	13	BLACK	R/A	NONE	12CA	040LF	2.5			
120CAHLF	2	13	BLACK	R/A	YES	12CAH	040HLF	2.5			
120FALF	2	21	BLACK	R/A	NONE	12FA	040LF	2.5			
130CALF	3	13	BLACK	R/A	NONE	13CA	050LF	2.8			
130CAHLF	3	13	BLACK	R/A	YES	13CAH	050HLF	2.8			
140CALF	4	13	BLACK	R/A	NONE	14CA	010LF	2.8			
150CALF	5	13	BLACK	R/A	NONE	15CA	020LF	2.8			
500CALF	0	13	BLACK	R/A	NONE	10CA	500LF	2.8			
500CAHLF	0	13	BLACK	R/A	YES	10CAH	500HLF	2.8			
500FALF	0	21	BLACK	R/A	NONE	10FA	500LF	2.8			
501CA	0	13	BLACK	SMT STAGGERED	NONE	10CA	501	--	NATURAL	NO.6	BOTTOM MOUNT TO PCB & RIGHT PUSH ROD
501CAH	0	13	BLACK	SMT STAGGERED	YES	10CAH	501H	--			
502CA	0	13	BLACK	SMT IN LINE	NONE	10CA	502	--			
502CAH	0	13	BLACK	SMT IN LINE	YES	10CAH	502H	--			
502FA	0	21	BLACK	SMT IN LINE	NONE	10FA	502	--			
520CALF	2	13	BLACK	R/A	NONE	12CA	540LF	2.5			
540CALF	4	13	BLACK	R/A	NONE	14CA	510LF	2.8			
550CALF	5	13	BLACK	R/A	NONE	15CA	520LF	2.8			
600CALF	0	13	BLACK	R/A	NONE	00CA	500LF	2.8			
600CAHLF	0	13	BLACK	R/A	YES	00CAH	500HLF	2.8			
601CA	0	13	BLACK	SMT STAGGERED	NONE	00CA	501	--	NATURAL	NO.8	BOTTOM MOUNT TO PCB & LEFT PUSH ROD
601CAH	0	13	BLACK	SMT STAGGERED	YES	00CAH	501H	--			
602CA	0	13	BLACK	SMT IN LINE	NONE	00CA	502	--			
602CAH	0	13	BLACK	SMT IN LINE	YES	00CAH	502H	--			
620CALF	2	13	BLACK	R/A	NONE	02CA	540LF	2.5			
640CALF	4	13	BLACK	R/A	NONE	04CA	510LF	2.8			
650CALF	5	13	BLACK	R/A	NONE	05CA	520LF	2.8			



NOTE
1. THIS PRODUCT MEETS EUROPEAN UNION DIRECTIVES AND OTHER COUNTRY REGULATIONS AS DESCRIBED IN GS-22-008.

SHEET INDEX	ISSUE	SH NO.	MAT	DR. Hasegawa	DATE 4/25/05	CUSTOMER COPY	TITLE 68P EJECTOR HEADER ASSY FOR TYPE I / II / III (FOR 5.0V)
LINEAR	TOLERANCES UNLESS OTHERWISE SPECIFIED			ENGR. Hasegawa	DATE 4/25/05	PRODUCT FAMILY SANF Header PCMCIA	CODE J-P
ANGLES				CHK		SCALE DWG. NO. 92193	REV SHEET V 2 of 2

REVISED				REVISIONS					
L	REVISED	J05-0198	M.H	4/4/05	REV	DESCRIPTION	ECN	BY	DATE
M	REVISED	V04-0820	M.H	4/25/05	F	REVIS	J40198	M.K	7/19/94
T	REVISED (ADDED *****L)	N05-0127	WB	5/18/05	G	REVIS	V32120	M.K	12/27/94
U					H	REVIS	J40349	M.K	1/9/95
V					J	REVIS	J50242	M.K	9/18/95
					K	REVIS	J70134	K.S	8/8/97



- NOTE
- EJECT FORCE 3.5Kg MAX.
 - ASSY PROCESS
 - TO MOUNT PART $\text{\textcircled{A}}$ ON PWB WITH SCREW (S1,S2) AND SOLDER.
 - TO JOINT PART $\text{\textcircled{B}}$ INTO PART $\text{\textcircled{A}}$, THEN FIX PART $\text{\textcircled{B}}$ WITH 2 SCREWS (S3,S4).
 - EJECT TRAVEL 8.0mm
- ④ MATERIAL
- PART $\text{\textcircled{A}}$ (HEADER ASSY)
 - HOUSING : LCP UL94V-0
 - PIN : PHOSPHOR BRONZE
 - PART $\text{\textcircled{B}}$ (EJECT MECHANISM ASSY)
 - GUIDE : POLYPHTHAMID UL94V-0 BLACK
 - PUSH ROD : FLAME RETARDANT UL94V-0
 - PLATE : STAINLESS
 - EMI CONTACT : PHOSPHOR BRONZE
 - OPTIONAL HOLD-DOWN : BRASS

- ⑤ FINISH 5.1 PIN
- 5.2 EMI CONTACT
UNDER PLATING : 0.5 μ m MIN. Ni
CONTACT AREA : 0.1 μ m MIN. Au OVER 0.5 μ m MIN. Pd-Ni
SOLDER TAIL : 2.5 μ m MIN. Sn-Pb OR 2.5 μ m MIN. PURE Sn. (FOR ~~*****L~~F)
- 5.3 OPTIONAL HOLD-DOWN : 2.5 μ m MIN. PURE Sn.

PIN No.	DIM "L"		
		4.25±0.1	3.5±0.1
OTHERS	36.67	1.734	35±1.68

- SEE TA-946 FOR PCB LAYOUT.
- SEE 92140 FOR DETAILED HDR DIMENSION.
- SEE SHEET 1,2 REGARDING COMPONENTS.
- GENERAL TOLERANCE : ±0.3

PRODUCT NO.

92193-000AA/000AALF

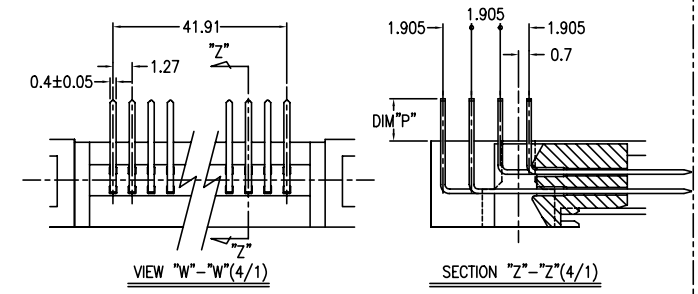
92193-000CA/000CALF

92193-000CAH/000CAHLF

92193-000CB/000CBLF

92193-000CBH/000CBHLF

92193-000FA/000FALF



PRODUCT NO.

92193-001AA

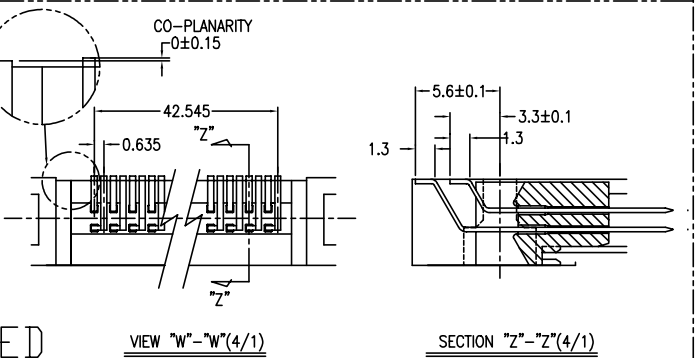
92193-001AAH

92193-001CA

92193-001CAH

92193-001FA

92193-001FAH

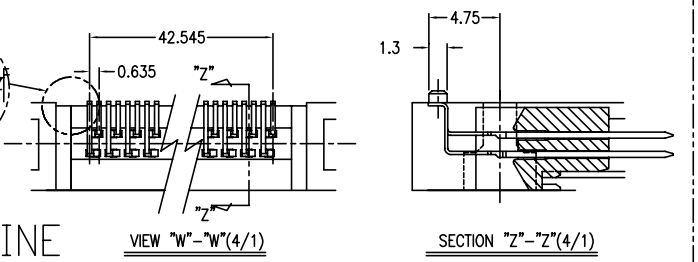


SMT
STAGGERED

PRODUCT NO.

92193-002CA

92193-002CAH



SMT
SMT IN LINE

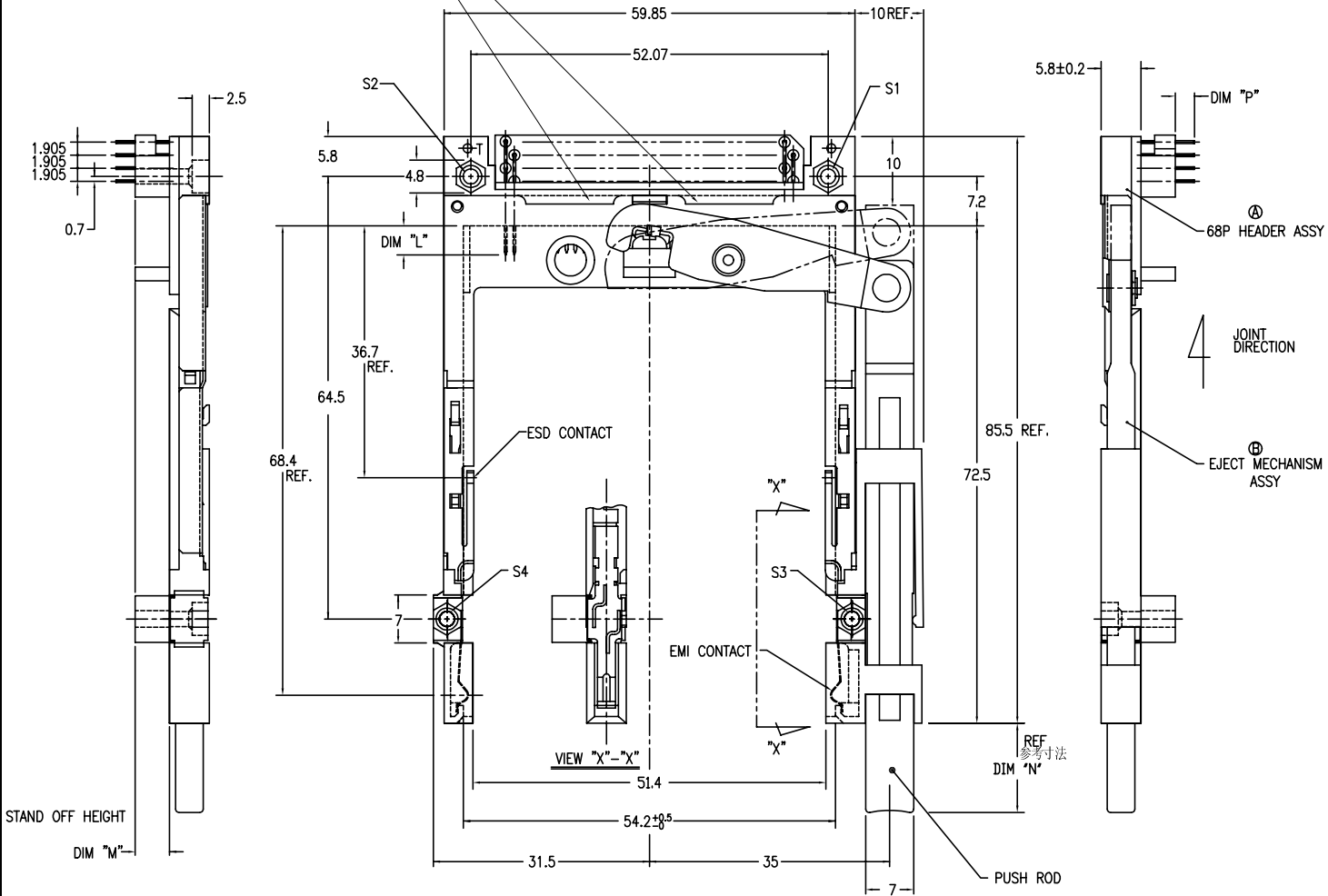
SHEET INDEX		ISSUE		SH NO.		TOLERANCES UNLESS OTHERWISE SPECIFIED		MAT	DR	DATE	CUSTOMER COPY	TITLE		PRODUCT FAMILY	SCALE	SIZE	DWG. NO.	REV	SHEET	
								SEE NOTE $\text{\textcircled{A}}$	M. Hasegawa	4/25/05		68P EJECTOR HEADER ASSY FOR TYPE I/II/III (FOR 5.0V)	SANF	Header PCMCIA	2/1	C	92193	V	3 of 6	
LINEAR								FINISH	CHK											
ANGLES								SEE NOTE $\text{\textcircled{C}}$	APPD											



PRODUCT NO.
92193-020CA/020CALF
92193-040CA/040CALF
92193-050CA/050CALF
92193-050CAH/050CAHLF

REVISION V

REVISIONS				
REV	DESCRIPTION	ECN	BY	DATE
A	RELEASED	J30022	N.T	1/19/93
B	REVISED	J40163	M.K	5/26/94
C	REVISED	V40840	M.K	7/ 5/94
D	REVISED	V32120	M.K	2/27/94
E	REVISED	J40349	M.K	1/9/95
F	REVISED	J50242	M.K	9/18/95
G	REVISED (ADDED-050CAH)	J70134	K.S	8/8/97
T	REVISED (ADDED -*****LF)	N05-0127	WG	3/5/18/05
U				
V				



- NOTE
- EJECT FORCE 3.5Kg MAX.
 - ASSY PROCESS
2.1 TO MOUNT PART ④ ON PWB WITH SCREW (S1,S2) AND SOLDER.
2.2 TO JOINT PART ④ INTO PART ④, THEN FIX PART ④ WITH 2 SCREWS (S3,S4).
 - EJECT TRAVEL 8.0mm
- ④ MATERIAL (HEADER ASSY)
- PART ④ (HEADER ASSY)
HOUSING : LCP UL94V-0
PIN : PHOSPHOR BRONZE
 - PART ④ (EJECT MECHANISM ASSY)
GUIDE : POLYPHTHARAMID UL94V-0 BLACK
PUSH ROD : FLAME RETARDANT UL94V-0
PLATE : STAINLESS
EMI CONTACT : PHOSPHOR BRONZE
STANDOFF : ZINC ALLOYS DIE CASTING
- ⑤ FINISH
- PIN
UNDER PLATING : 0.5μm MIN. Ni
CONTACT AREA : 0.1μm MIN. Au OVER 0.5μm MIN. Pd-Ni
SOLDER TAIL : 2.5μm MIN. Sn-Pb
OR 2.5μm MIN. PURE Sn.(FOR -*****LF)
 - EMI CONTACT
UNDER PLATING : 2.0μm MIN. Ni
CONTACT AREA : 0.5μm MIN. Au
 - STAND OFF : 3 ~5μm Ni, OVER 5 ~10μm Cu.
6. PIN NO.
- | PIN No. | DIM "L" | | |
|----------|---------|---------|----------|
| | OTHERS | 36.67 | 35.51.68 |
| 4.25±0.1 | 3.5±0.1 | 5.0±0.1 | |
- SEE TA-946 FOR PCB LAYOUT.
 - SEE 92140 FOR DETAILED HDR DIMENSION.
 - SEE SHEET1,2 REGARDING COMPONENTS.
 - GENERAL TOLERANCE : ±0.3.

STAND OFF HEIGHT
DIM "M"

DF-003A REV C
DO NOT SCALE PRINT THIS INFORMATION IS CONFIDENTIAL AND IS DISCLOSED TO YOU ON CONDITION THAT NO FURTHER DISCLOSURE IS MADE BY YOU TO OTHER THAN BERG PERSONNEL WITHOUT WRITTEN AUTHORIZATION FROM BERG ELECTRONICS JAPAN K.K.

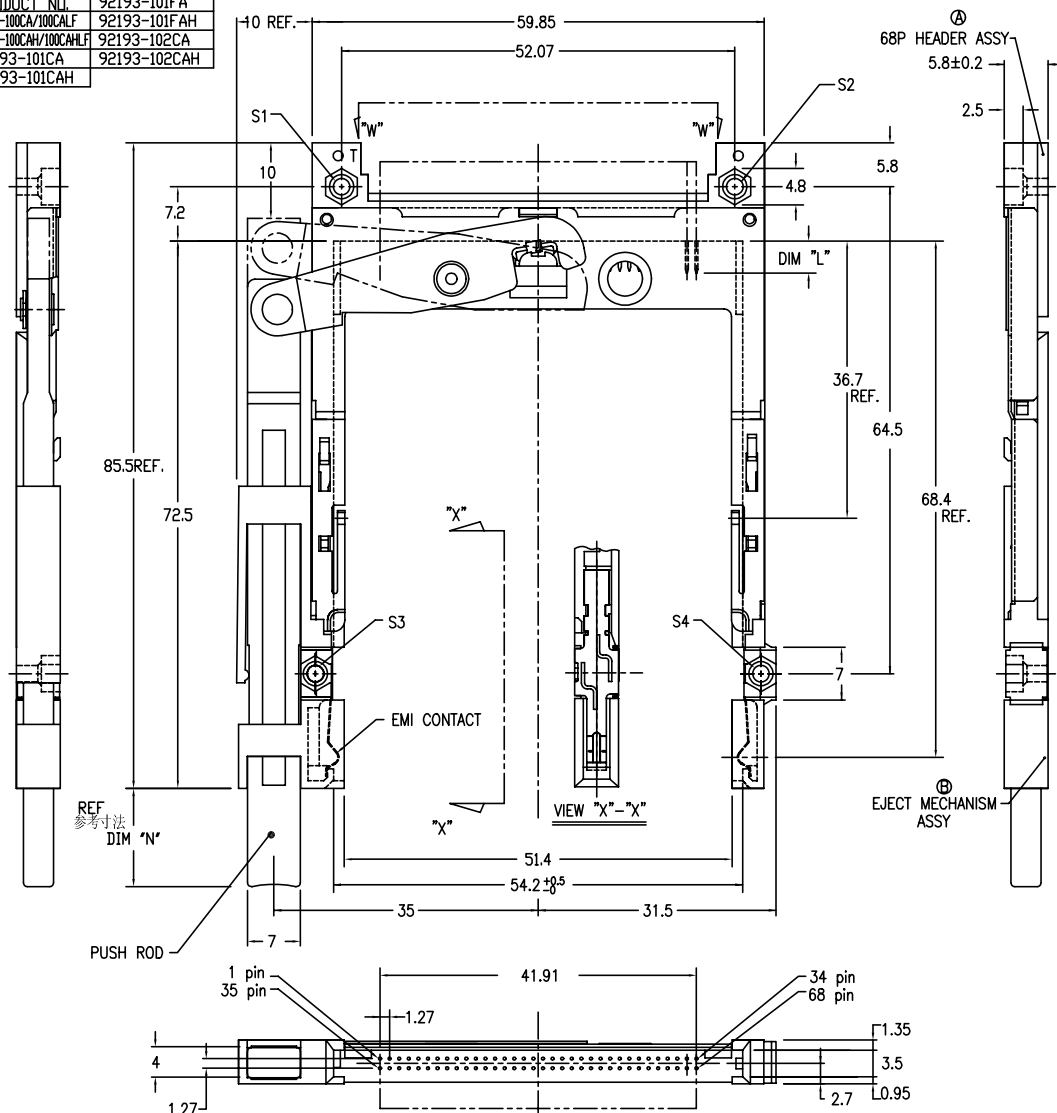
SHEET INDEX	ISSUE SH NO.	MAT	DR	DATE	CUSTOMER COPY
		SEE NOTE ④	T. Uno	8/8/97	
			K. Suzuki	8/8/97	
LINEAR		FINISH	CHK	THIRD ANGLE PROJ	UNIT
ANGLES		SEE NOTE ⑤	APPD		



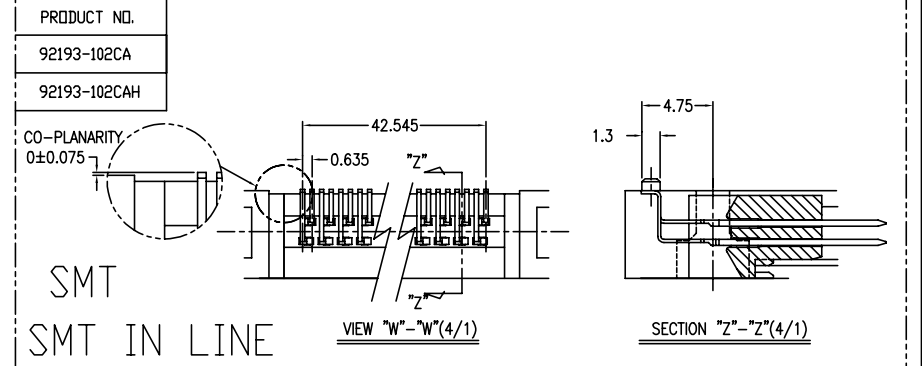
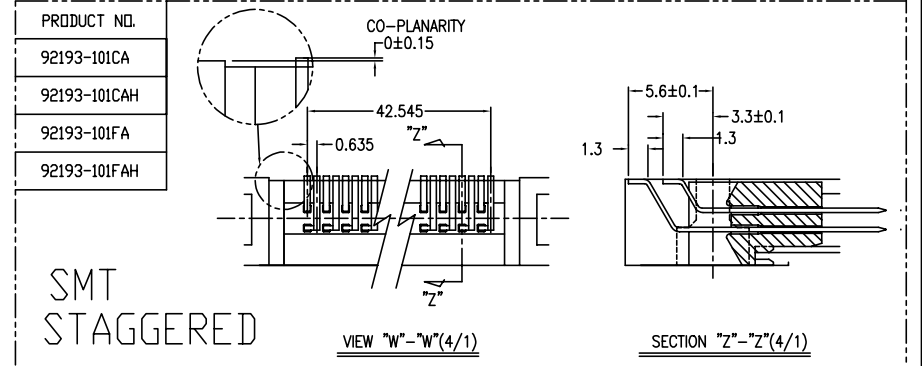
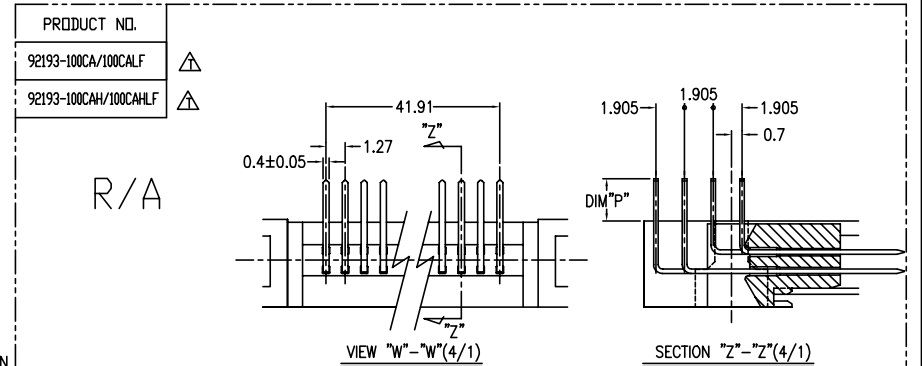
TITLE	68P EJECTOR HEADER ASSY FOR TYPE I/II/III (FOR 5.0V)		
SCALE	2/1	SIZE	C
DWG. NO.	92193	REV	V
SHEET	4	OF	4

PRODUCT NO.	92193-101FA
92193-100CA/100CALF	92193-101FAH
92193-100CAH/100CAHLF	92193-102CA
92193-101CA	92193-102CAH
92193-101CAH	

T	REVISED (ADDED -*****LF)	N05-0127	WB	J05/18/05	REVISIONS				
REV	DESCRIPTION	ECN	BY	DATE					
F	REVISED	J40198	M.K	7/19/94					
F	REVISED	V32120	M.K	12/27/94					
G	REVISED	J40349	M.K	1/9/95					
H	REVISED	J50242	M.K	8/18/95					
J	REVISED	J70134	K.S	8/8/97					



- NOTE
- EJECT FORCE 3.5Kg MAX.
 - ASSY PROCESS
 - TO MOUNT PART ① ON PWB WITH SCREW (S1,S2) AND SOLDER.
 - TO JOINT PART ② INTO PART ①, THEN FIX PART ③ WITH 2 SCREWS (S3,S4).
 - EJECT TRAVEL 8.0mm
 - MATERIAL
 - PART ① (HEADER ASSY)
 - HOUSING : LCP UL94V-0
 - PIN : PHOSPHOR BRONZE
 - PART ② (EJECT MECHANISM ASSY)
 - GUIDE : POLYPHTHARAMID UL94V-0 BLACK
 - PUSH ROD : FLAME RETARDANT UL94V-0
 - PLATE : STAINLESS
 - EMI CONTACT : PHOSPHOR BRONZE
 - OPTIONAL HOLD-DOWN : BRASS
- ⑤ FINISH 5.1 PIN
- UNDER PLATING : 0.5µm MIN. Ni
 CONTACT AREA : 0.1µm MIN. Au OVER 0.5µm MIN. Pd-Ni
 SOLDER TAIL : 2.5µm MIN. Sn-Pb
 OR 2.5µm MIN. PURE Sn.(FOR -*****LF)
- 5.2 EMI CONTACT
 UNDER PLATING : 2.0µm MIN. Ni
 CONTACT AREA : 0.5µm MIN. Au
- 5.3 OPTIONAL HOLD-DOWN : 2.5µm MIN. PURE Sn
6. PIN NO.
- | PIN No. | DIM "L" | | |
|---------|----------|---------|----------|
| | 4.25±0.1 | 3.5±0.1 | 5.0±0.1 |
| OTHERS | 36.67 | 17.34 | 35.51.88 |
- SEE TA-946 FOR PCB LAYOUT.
 - SEE 92140 FOR DETAILED HDR DIMENSION.
 - SEE SHEET 1,2 REGARDING COMPONENTS.
 - GENERAL TOLERANCE : ±0.3

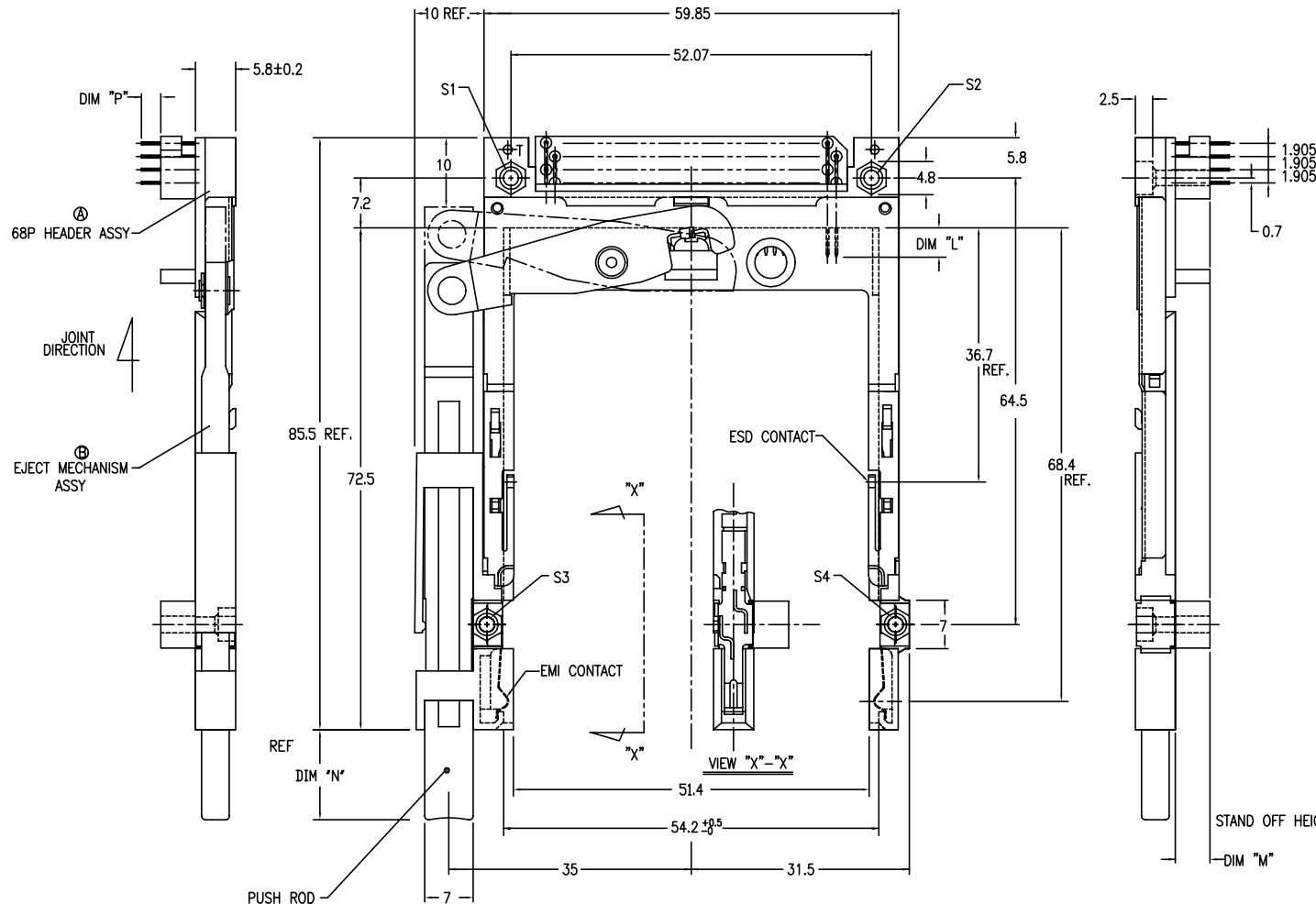


SHEET INDEX	ISSUE	SH NO.	MAT	DR	ENGR	DATE	CUSTOMER COPY	TITLE	SCALE	SIZE	DWG. NO.	REV	SHEET
				T. Ino	K. Suzuki	8/8/97		68P EJECTOR HEADER ASSY FOR TYPE I/II/III (FOR 5.0V)	2/1	C	92193	V	5 of



PRODUCT NO.	
92193-120CA/120CAH/LF	△
92193-120FA/120FALF	△
92193-130CA/130CALF	△
92193-130CAH/130CAHLF	△
92193-140CA/140CALF	△
92193-150CA/150CALF	△

REVISIONS				
REV	DESCRIPTION	ECN	BY	DATE
A	RELEASED	J30022	N.T	1/19/93
B	REVISED	J40163	M.K	5/26/94
C	REVISED	V40840	M.K	7/ 5/94
D	REVISED	V32120	M.K	2/27/94
E	REVISED	J40349	M.K	1/9/95
F	REVISED	J50242	M.K	9/18/95
G	REVISED (ADDED -130CAH)	J70134	K.S	8/8/97
H	REVISED	N90076	M.K	7/22/99
T	REVISED (ADDED -*****F)	N05-0127	WB J	05/18/05
U				
V				



NOTE

- EJECT FORCE 3.5Kg MAX.
- ASSY PROCESS
2.1 TO MOUNT PART ① ON PWB WITH SCREW (S1,S2) AND SOLDER.
2.2 TO JOINT PART ② INTO PART ①, THEN FIX PART ② WITH 2 SCREWS (S3,S4).
- EJECT TRAVEL 8.0mm
- MATERIAL
4.1 PART ① (HEADER ASSY)
HOUSING : LCP UL94V-0
PIN : PHOSPHOR BRONZE
4.2 PART ② (EJECT MECHANISM ASSY)
GUIDE : POLYPHTHARAMID UL94V-0 BLACK
PUSH ROD : FLAME RETARDANT UL94V-0
PLATE : STAINLESS
EMI CONTACT : PHOSPHOR BRONZE
STANDOFF : ZINC ALLOYS DIE CASTING
- FINISH
5.1 PIN
UNDER PLATING : 0.5µm MIN. Ni
CONTACT AREA : 0.1µm MIN. Au OVER 0.5µm MIN. Pd-Ni
SOLDER TAIL : 2.5µm MIN. Sn-Pb OR 2.5µm MIN. PURE Sn.(FOR -*****LF)
5.2 EMI CONTACT
UNDER PLATING : 2.0µm MIN. Ni
CONTACT AREA : 0.5µm MIN. Au
5.3 STAND OFF : 3 ~5µm Ni, OVER 5 ~10µm Cu.
- PIN NO.
- SEE TA-946 FOR PCB LAYOUT.
- SEE 92140 FOR DETAILED HDR DIMENSION.
- SEE SHEET 1,2 REGARDING COMPONENTS.
- GENERAL TOLERANCE : ±0.3.

DF-003A REV C

DO NOT SCALE PRINT THIS INFORMATION IS CONFIDENTIAL AND IS DISCLOSED TO YOU ON CONDITION THAT NO FURTHER DISCLOSURE IS MADE BY YOU TO OTHER THAN BERG PERSONNEL WITHOUT WRITTEN AUTHORIZATION FROM BERG ELECTRONICS JAPAN K.K.

SHEET INDEX	ISSUE		MAT	DR	DATE	CUSTOMER COPY	TITLE	SCALE	SIZE	DWC. NO.	REV	SHEET
	SH NO.											
				M.Hasegawa	7/22/99		68P EJECTOR HEADER ASSY FOR TYPE I/II/III (FOR 5.0V)	2/1	C	92193	V	6 of 6
			SEE NOTE ④	M.Kajura	7/22/99							
			SEE NOTE ⑤									

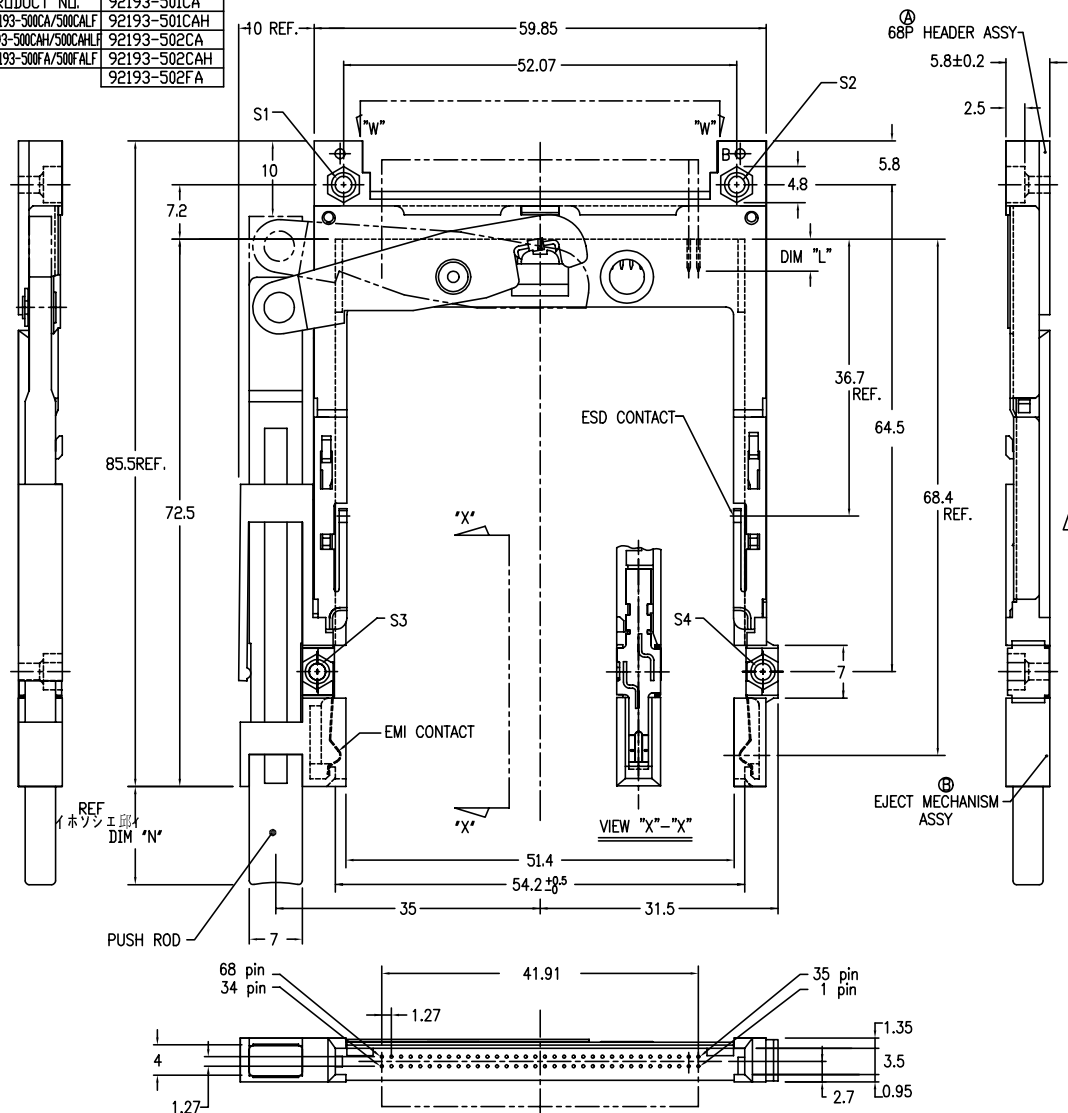
PDM: Rev:V

STATUS: Released

Printed: Oct 12, 2010

PRODUCT NO.	92193-501CA
△ 92193-500CA/500CALF	92193-501CAH
△ 92193-500CAH/500CAHLF	92193-502CA
△ 92193-500FA/500FALF	92193-502CAH
	92193-502FA

REVISED				REVISIONS					
K	REVISED	V91595	M.K	11/11/99	REV	DESCRIPTION	ECN	BY	DATE
T	REVISED (ADDED -*****LF)	W05-0127	WB	J05/18/05	D	REVISED	V40840	M.K	7/5/94
U					E	REVISED	V32120	M.K	12/27/94
V					F	REVISED	J40349	M.K	1/9/95
					G	REVISED	J50242	M.K	9/18/95
					H	REVISED	V60956	M.K	7/29/96
					J	REVISED	J70134	K.S	8/8/97



- NOTE
- EJECT FORCE 3.5Kg Max.
 - ASSY PROCESS
2.1 TO MOUNT PART ④ ON PWB WITH SCREW (S1,S2) AND SOLDER.
2.2 TO JOINT PART ⑤ INTO PART ④, THEN FIX PART ⑤ WITH 2 SCREWS (S3,S4).
 - EJECT TRAVEL 8.0mm
- ④ MATERIAL
- PART ④ (HEADER ASSY)
HOUSING : LCP UL94V-0
PIN : PHOSPHOR BRONZE
 - PART ⑤ (EJECT MECHANISM ASSY)
GUIDE : POLYPHTHARAMID UL94V-0 BLACK
PUSH ROD : FLAME RETARDANT UL94V-0
PLATE : STAINLESS
EMI CONTACT : PHOSPHOR BRONZE
 - OPTIONAL HOLD-DOWN : BRASS

- ⑤ FINISH 5.1 PIN
- 5.2 EMI CONTACT
UNDER PLATING : 0.5µm MIN. Ni
CONTACT AREA : 0.1µm MIN. Au OVER 0.5µm MIN. Pd-Ni
SOLDER TAIL : 2.5µm MIN. Sn-Pb OR 2.5µm MIN. PURE Sn.(FOR -*****LF)
- 5.3 OPTIONAL HOLD-DOWN : 2.5µm MIN. PURE Sn
6. PIN NO.

PIN No.	DIM "L"	
	OTHERS	36.67
	4.25±0.1	3.5±0.1
	5.0±0.1	1.17, 3.4
		35.51, 68

- SEE TA-946 FOR PCB LAYOUT.
- SEE 92140 FOR DETAILED HDR DIMENSION.
- SEE SHEET 1,2 REGARDING COMPONENTS.
- GENERAL TOLERANCE : ±0.3.

PRODUCT NO.
92193-500CA/500CALF
92193-500CAH/500CAHLF
92193-500FA/500FALF

R/A

CO-PLANARITY 0±0.15

SMT STAGGERED

VIEW "W"- "W"(4/1)

SECTION "Z"- "Z"(4/1)

PRODUCT NO.
92193-501CA
92193-501CAH

CO-PLANARITY 0±0.075

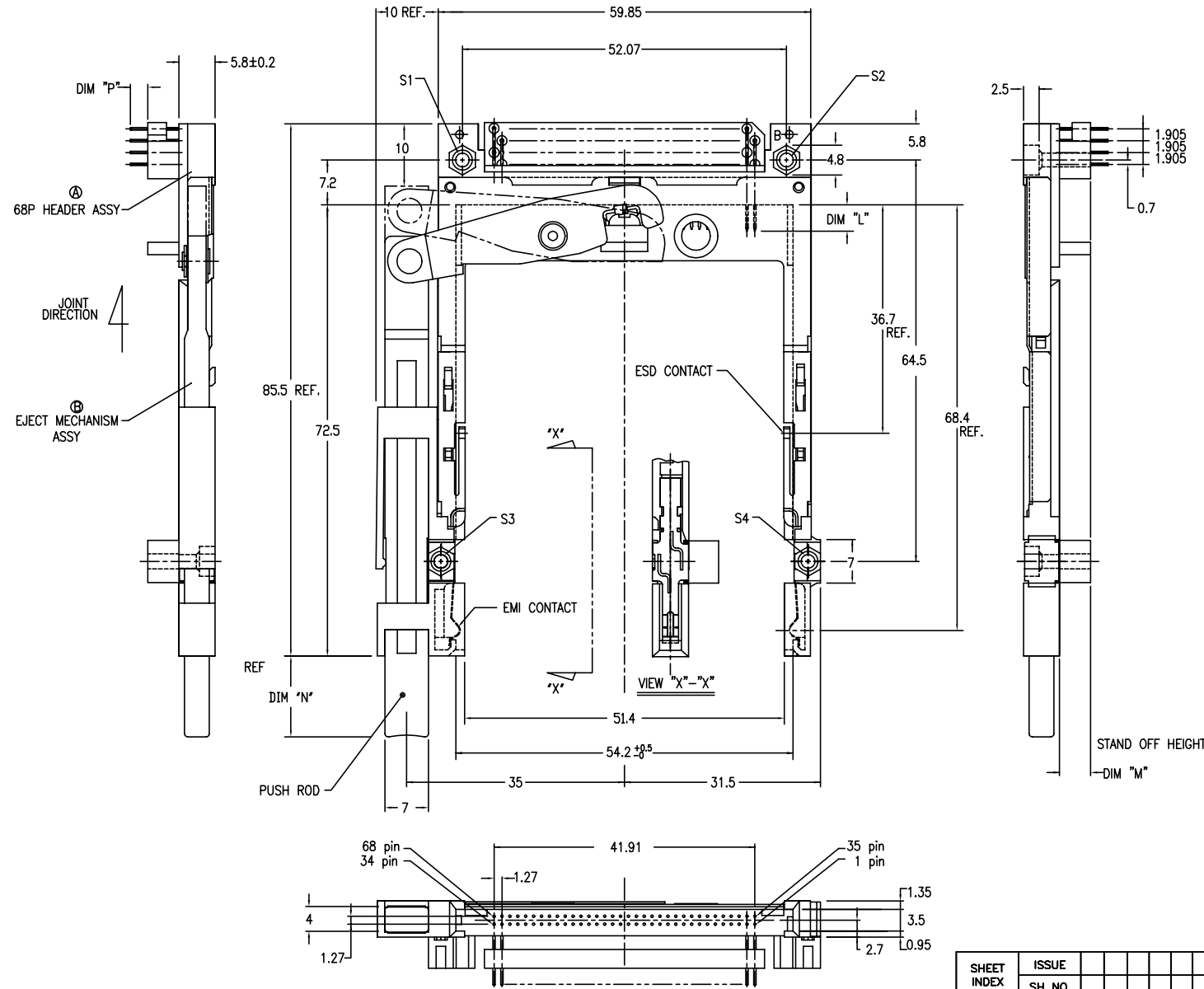
SMT IN LINE

VIEW "W"- "W"(4/1)

SECTION "Z"- "Z"(4/1)

PRODUCT NO.	
92193-520CA/520CALF	△
92193-540CA/540CALF	△
92193-550CA/550CALF	△

REVISIONS				
REV	DESCRIPTION	ECN	BY	DATE
A	RELEASED	J30022	N.T	1/19/'93
B	REVISED	J30128	M.N	4/27/'93
C	REVISED	J40163	M.K	5/26/'94
D	REVISED	V40840	M.K	7/ 5/'94
E	REVISED	V32120	M.K	12/27/'94
F	REVISED	J40349	M.K	1/9/'94
G	REVISED	J50242	M.K	9/18/'95
T	REVISED (ADDED -*****LF)	N05-017	WB	J05/18/05
U				
V				



NOTE

- EJECT FORCE 3.5Kg MAX.
- ASSY PROCESS
2.1 TO MOUNT PART ④ ON PWB WITH SCREW (S1,S2) AND SOLDER.
2.2 TO JOINT PART ⑤ INTO PART ④, THEN FIX PART ④ WITH 2 SCREWS (S3,S4)
- EJECT TRAVEL 8.0mm

④ MATERIAL

- PART ④ (HEADER ASSY)
HOUSING : LCP UL94V-0
PIN : PHOSPHOR BRONZE
- PART ⑤ (EJECT MECHANISM ASSY)
GUIDE : POLYPHTHARAMID UL94V-0 BLACK
PUSH ROD : FLAME RETARDANT UL94V-0
PLATE : STAINLESS
EMI CONTACT : PHOSPHOR BRONZE
STANDOFF : ZINC ALLOYS DIE CASTING

⑤ FINISH

- PIN
UNDER PLATING : 0.5µm MIN. Ni
CONTACT AREA : 0.1µm MIN. Au OVER 0.5µm MIN. Pd-Ni
SOLDER TAIL : 2.5µm MIN. Sn-Pb
OR 2.5µm MIN. PURE Sn.(FOR -*****LF)
- EMI CONTACT
UNDER PLATING : 2.0µm MIN. Ni
CONTACT AREA : 0.5µm MIN. Au
- STAND OFF : 3 ~5µm Ni, OVER 5 ~10µm Cu.

6. PIN NO.

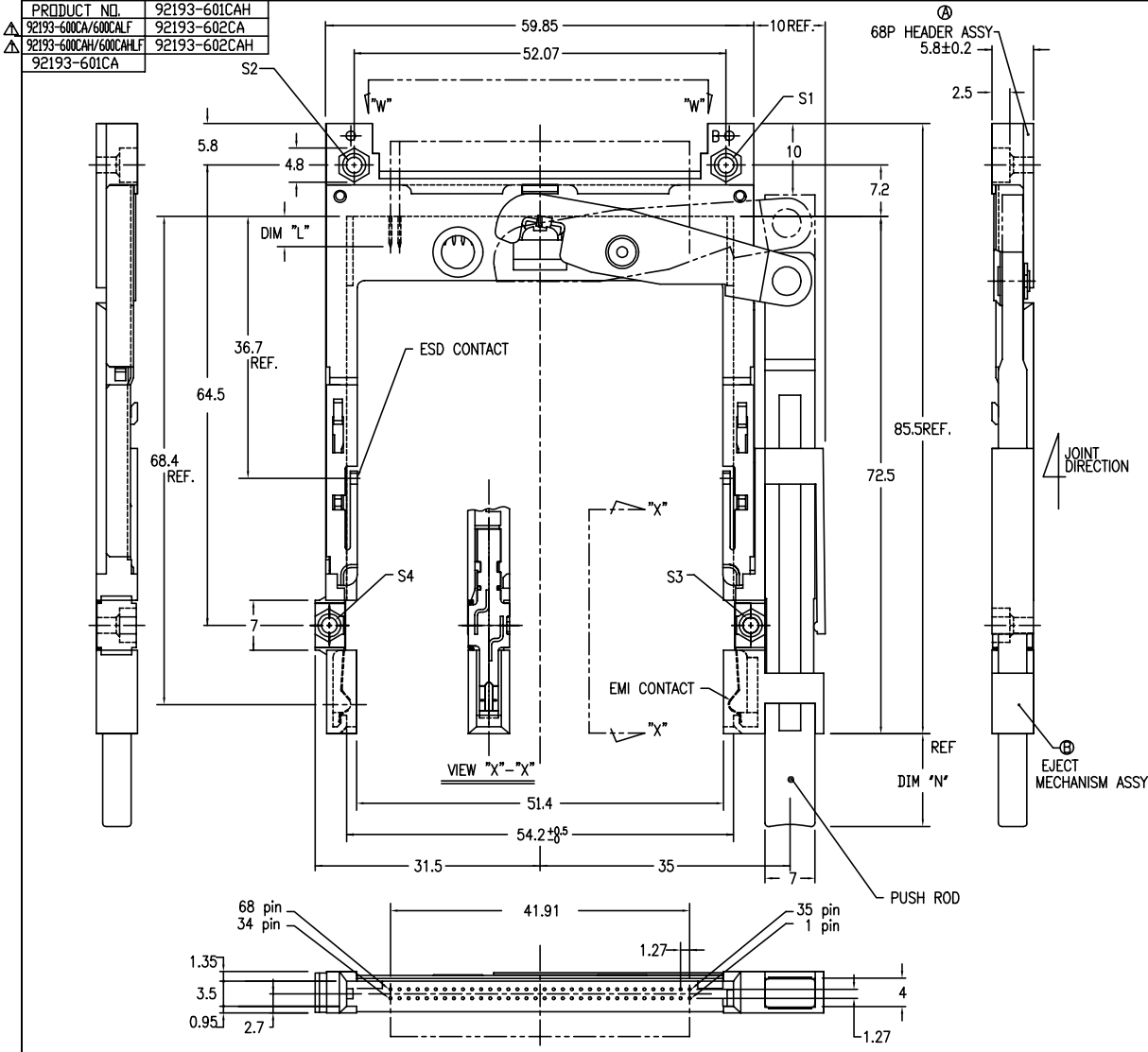
PIN No.	DIM "L"		
	4.25±0.1	3.5±0.1	5.0±0.1
OTHERS	36.67	1.17, 34	35.51, 68

STAND OFF HEIGHT 7. SEE TA-946 FOR PCB LAYOUT.
8. SEE 92140 FOR DETAILED HDR DIMENSION.
9. SEE SHEET 1,2 REGARDING COMPONENTS.
10. GENERAL TOLERANCE : ±0.3.

SHEET INDEX	ISSUE												TITLE 68P EJECTOR HEADER ASSY FOR TYPE I/II/III (FOR 5.0V)
	SH NO.												
TOLERANCES UNLESS OTHERWISE SPECIFIED		MAT	DR	DATE	CUSTOMER COPY								
LINEAR		SEE NOTE ④	ENGR	9/18/'95	APPD								
ANGLES		SEE NOTE ⑤	CHK	9/18/'95	THRU ANGLE PROJ								

PRODUCT NO.	92193-601CAH
92193-600CA/600CALF	92193-602CA
92193-600CAH/600CAHLF	92193-602CAH
92193-601CA	

T	REVISED (ADDED -*****LF)	N05-0127/WB	J05/18/05	REVISIONS				
REV	DESCRIPTION	ECN	BY	DATE				
D	REVISED	V40840	M.K	7/5/94				
E	REVISED	V32120	M.K	12/27/94				
F	REVISED	J40349	M.K	1/9/95				
G	REVISED	J50242	M.K	9/18/95				
H	REVISED	J70134	K.S	8/8/97				



- NOTE
- EJECT FORCE 3.5kg MAX.
 - ASSY PROCESS
 - TO MOUNT PART ④ ON PWB WITH SCREW (S1,S2) AND SOLDER.
 - TO JOINT PART ⑤ INTO PART ④, THEN FIX PART ⑤ WITH 2 SCREWS (S3,S4).
 - EJECT TRAVEL 8.0mm
 - MATERIAL
 - PART ④ (HEADER ASSY)
 - HOUSING : LCP UL94V-0
 - PIN : PHOSPHOR BRONZE
 - PART ⑤ (EJECT MECHANISM ASSY)
 - GUIDE : POLYPHTHARAMID UL94V-0 BLACK
 - PUSH ROD : FLAME RETARDANT UL94V-0
 - PLATE : STAINLESS
 - EMI CONTACT : PHOSPHOR BRONZE
 - OPTIONAL HOLD-DOWN : BRASS

- ⑤ FINISH 5.1 PIN
- UNDER PLATING : 0.5µm MIN. Ni
 CONTACT AREA : 0.1µm MIN. Au OVER 0.5µm MIN. Pd-Ni
 SOLDER TAIL : 2.5µm MIN. Sn-Pb OR 2.5µm MIN. PURE Sn.(FOR -*****LF)
- 5.2 EMI CONTACT
 UNDER PLATING : 2.0µm MIN. Ni
 CONTACT AREA : 0.5µm MIN. Au
- 5.3 OPTIONAL HOLD-DOWN : 2.5µm MIN. PURE Sn

PIN NO.	DIM "L"	
	OTHERS	
4.25±0.1	3.5±0.1	5.0±0.1
36.67	1.17, 34	35.51, 68

- SEE TA-946 FOR PCB LAYOUT.
- SEE 92140 FOR DETAILED HDR DIMENSION.
- SEE SHEET 1.2 REGARDING COMPONENTS.
- GENERAL TOLERANCE : ±0.3

PRODUCT NO.
92193-600CA/600CALF
92193-600CAH/600CAHLF

R/A

VIEW "W"- "W"(4/1)

SECTION "Z"- "Z"(4/1)

VIEW "W"- "W"(4/1)

SECTION "Z"- "Z"(4/1)

SMT STAGGERED

VIEW "W"- "W"(4/1)

SECTION "Z"- "Z"(4/1)

SMT IN LINE

VIEW "W"- "W"(4/1)

SECTION "Z"- "Z"(4/1)

DF-003A REV C

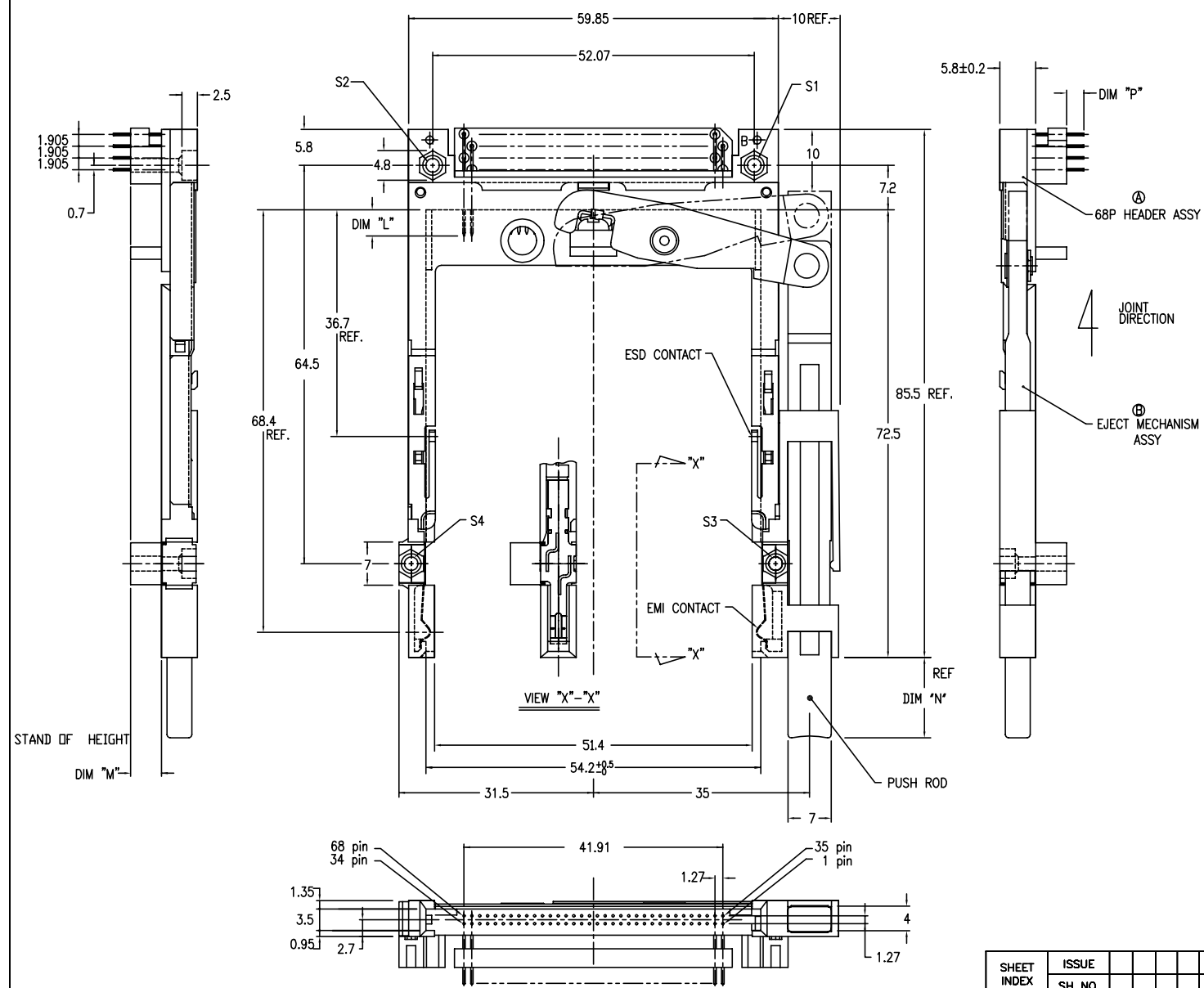
DO NOT SCALE PRINT THIS INFORMATION IS CONFIDENTIAL AND IS DISCLOSED TO YOU ON CONDITION THAT NO FURTHER DISCLOSURE IS MADE BY YOU TO OTHER THAN BERG PERSONNEL WITHOUT WRITTEN AUTHORIZATION FROM BERG ELECTRONICS JAPAN K.K.

SHEET INDEX	ISSUE	SH NO.	MAT	DR	ENGR	DATE	CUSTOMER COPY
				T. Uno	K. Suzuki	8/8/97	
LINEAR	SEE NOTE ④		FINISH	CHK			
ANGLES	SEE NOTE ⑤		APPD				

FCI	
TITLE	68P EJECTOR HEADER ASSY FOR TYPE I/II/III (FOR 5.0V)
SCALE	2/1
SIZE	C
DWG. NO.	92193
REV	V
SHEET	9 of 9

PRODUCT NO.
92193-620CA/620CALF
92193-640CA/640CALF
92193-650CA/650CALF

REVISIONS				
REV	DESCRIPTION	ECN	BY	DATE
A	RELEASED	J30022	N.T	1/19/93
B	REVISED	J40163	M.K	5/26/94
C	REVISED	V40840	M.K	7/ 3/94
D	REVISED	V32120	M.K	8/27/94
E	REVISED	J40349	M.K	1/6/95
F	REVISED	J50242	M.K	9/18/95
T	REVISED (ADDED -*****LF)	N05-0127	NB J	05/18/05
U				
V				



NOTE

- EJECT FORCE 3.5Kg MAX.
- ASSY PROCESS
 - TO MOUNT PART ④ ON PWB WITH SCREW (S1,S2) AND SOLDER.
 - TO JOINT PART ⑤ INTO PART ④, THEN FIX PART ⑤ WITH 2 SCREWS (S3,S4).
- EJECT TRAVEL 8.0mm

④ MATERIAL (HEADER ASSY)

- PART ④ (HEADER ASSY)
 - HOUSING : LCP UL94V-0
 - PIN : PHOSPHOR BRONZE
- PART ⑤ (EJECT MECHANISM ASSY)
 - GUIDE : POLYPHTHARAMID UL94V-0 BLACK
 - PUSH ROD : FLAME RETARDANT UL94V-0
 - PLATE : STAINLESS
 - EMI CONTACT : PHOSPHOR BRONZE
 - STANDOFF : ZINC ALLOYS DIE CASTING

⑤ FINISH

- PIN
 - UNDER PLATING : 0.5µm MIN. Ni
 - CONTACT AREA : 0.1µm MIN. Au OVER 0.5µm MIN. Pd-Ni
 - SOLDER TAIL : 2.5µm MIN. Sn-Pb OR 2.5µm MIN. PURE Sn.(FOR -*****LF)
- EMI CONTACT
 - UNDER PLATING : 2.0µm MIN. Ni
 - CONTACT AREA : 0.5µm MIN. Au
- STAND OFF : 3 ~5µm Ni, OVER 5 ~10µm Cu.

6. PIN NO.

PIN No.	DIM "L"		
	OTHERS	36.67	35.51.68
	4.25±0.1	3.5±0.1	5.0±0.1

- SEE TA-946 FOR PCB LAYOUT.
- SEE 92140 FOR DETAILED HDR DIMENSION.
- SEE SHEET 1,2 REGARDING COMPONENTS.
- GENERAL TOLERANCE : ±0.3

STAND OFF HEIGHT
DIM "M"

SHEET INDEX	ISSUE										TITLE	SCALE	SIZE	DWS. NO.	REV	SHEET		
	SH NO.																	
	TOLERANCES UNLESS OTHERWISE SPECIFIED										MAT	DR	DATE	CUSTOMER COPY				
											SEE NOTE ④	T. Umeta	9/18/95					
											ENGR	M. Ka. jura	9/18/95					
											FINISH	CHK		THRU ANGLE PROJ				
											SEE NOTE ⑤	APPD		UNIT				
											ANGLES			SCALE	2/1	C	92193	V 10 of 10

