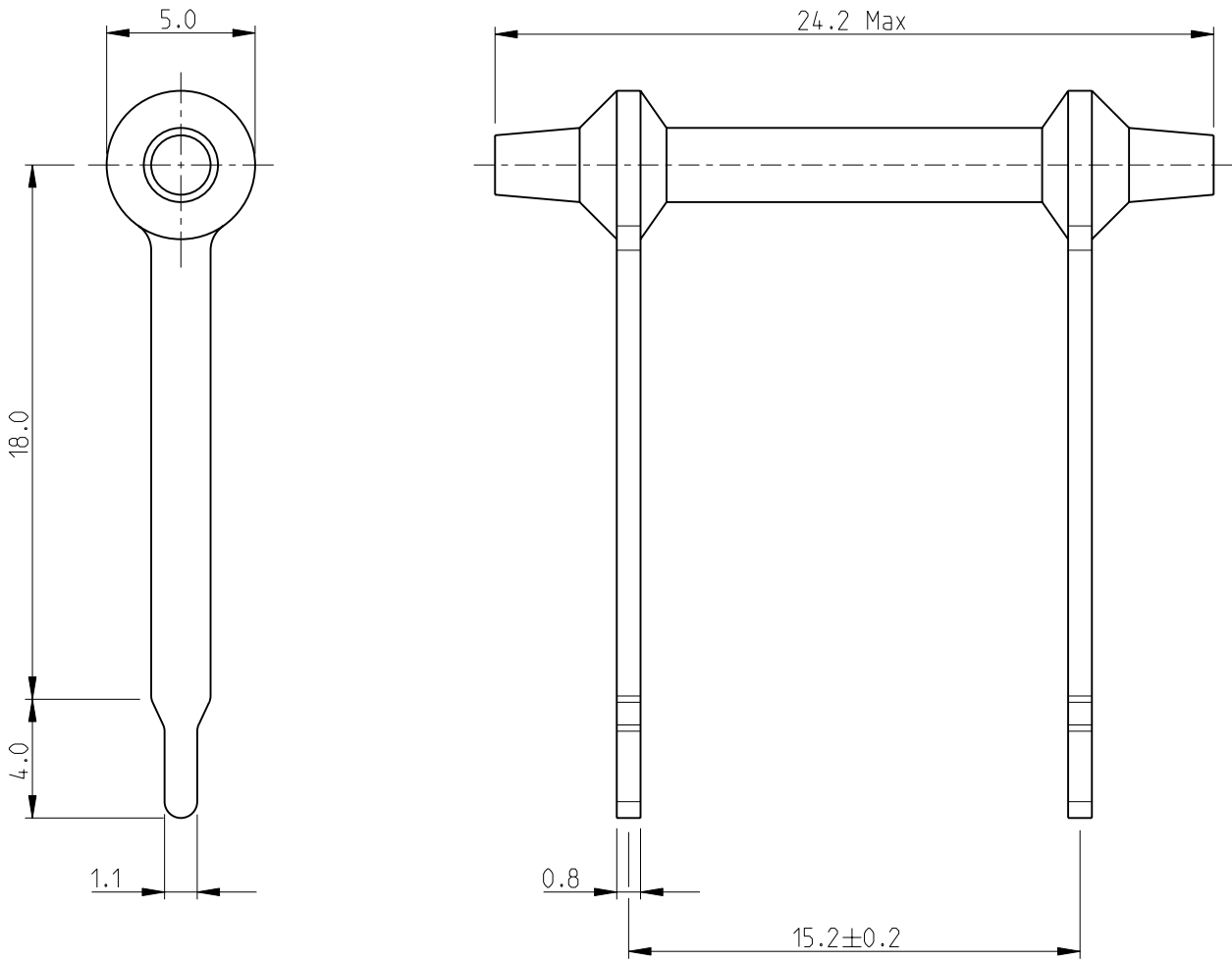
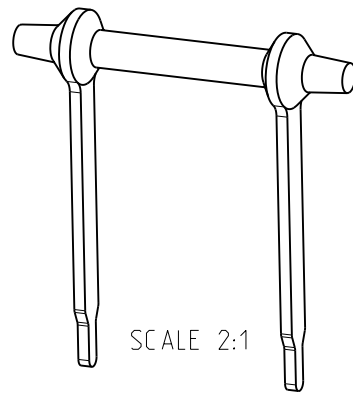


LOC	DIST	REVISIONS					
E	B	P	LTR	DESCRIPTION	DATE	DWN	APVD
		BA1		REVISED PER ECO-11-005150	29MAR2011	RK	HMR




FOR FURTHER INFORMATION SEE DATA SHEET FOR SERIES FC- HIGH POWER RESISTORS

RoHS Compliant



2009
 RELEASED FOR PUBLICATION
 ALL RIGHTS RESERVED.
 BY -
 COPYRIGHT 2009
 THIS DRAWING IS UNPUBLISHED.

DIMENSIONS: mm	DWN	SUBHASH.M	05-AUG-09	MATERIAL	-	FINISH	-	
	CHK	ALLAN.P	05-AUG-09	 TE Connectivity				
TOLERANCES UNLESS OTHERWISE SPECIFIED:	APVD	STEPHEN.P	05-AUG-09					
0 PLC ± 0.5	PRODUCT SPEC	-	NAME	HIGH POWER RESISTORS				
1 PLC ± 0.2	APPLICATION SPEC	-	SIZE	CAGE CODE	DRAWING NO	RESTRICTED TO		
2 PLC ± 0.1			A 4	00779	© = 1623714			
3 PLC ± -	WEIGHT	-	CUSTOMER DRAWING				SCALE	4:1
4 PLC ± -							SHEET	1 OF 1
ANGLES ± 5°							REV	BA1

Mouser Electronics

Authorized Distributor

Click to View Pricing, Inventory, Delivery & Lifecycle Information:

[TE Connectivity:](#)

[FCB41K0J](#)