

4

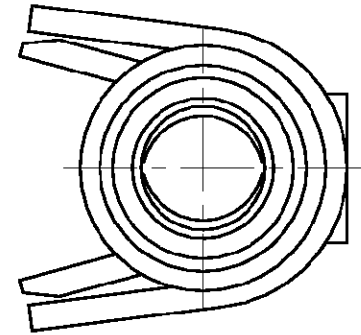
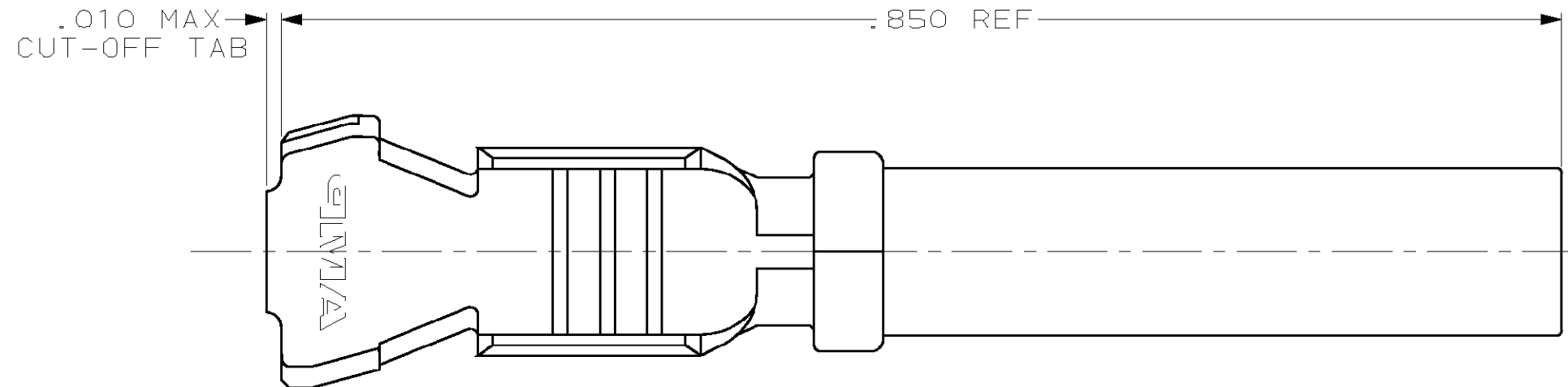
3

2

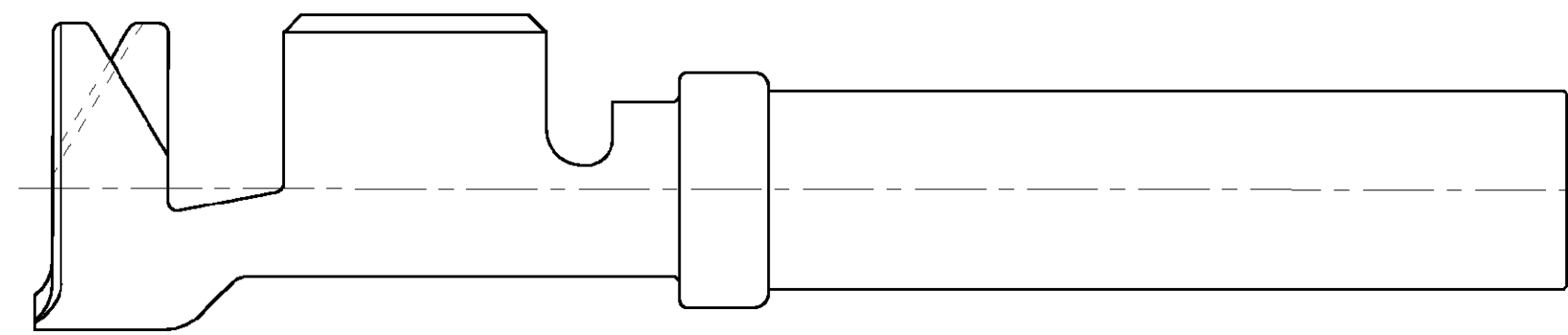
1

THIS DRAWING IS UNPUBLISHED. RELEASED FOR PUBLICATION .19
 BY AMP INCORPORATED. ALL RIGHTS RESERVED.

LOC	DIST	REVISIONS			
P	LTR	DESCRIPTION	DATE	DWN	APVD
GE	33	0	REL PER PR# 99-7	2-17-99	PC WL
		A	REV PER 0K40-0013-01	24AUG01	AG MT



1. WIRE RANGE: 18-14 AWG



LOOSE PIECE VERSION OF 776093-2	NICKEL	776299-2
LOOSE PIECE VERSION OF 776093-1	GOLD	776299-1
DESCRIPTION	FINISH	PART NUMBER

THIS DRAWING IS A CONTROLLED DOCUMENT.		DWN	P. COLLINS	2-17-99		
		CHK	W. LONG	2-17-99		
		APVD	G. MARPOE	2-17-99	NAME	
DIMENSIONS:		TOLERANCES UNLESS OTHERWISE SPECIFIED:		ASSEMBLY, SOCKET CONTACT LOOSE PIECE		
in		0 PLC ±-		PRODUCT SPEC		
		1 PLC ±-		APPLICATION SPEC		
		2 PLC ±.02		WEIGHT		
		3 PLC ±.005		A2 00779 C-776299		
		4 PLC ±-		SCALE 10:1 SHEET 1 OF 1 REV A		
		ANGLES ±-		RESTRICTED TO		
MATERIAL		FINISH		CUSTOMER DRAWING		
SEE TABLE						

776299

Mouser Electronics

Authorized Distributor

Click to View Pricing, Inventory, Delivery & Lifecycle Information:

[TE Connectivity:](#)

[776299-2](#)