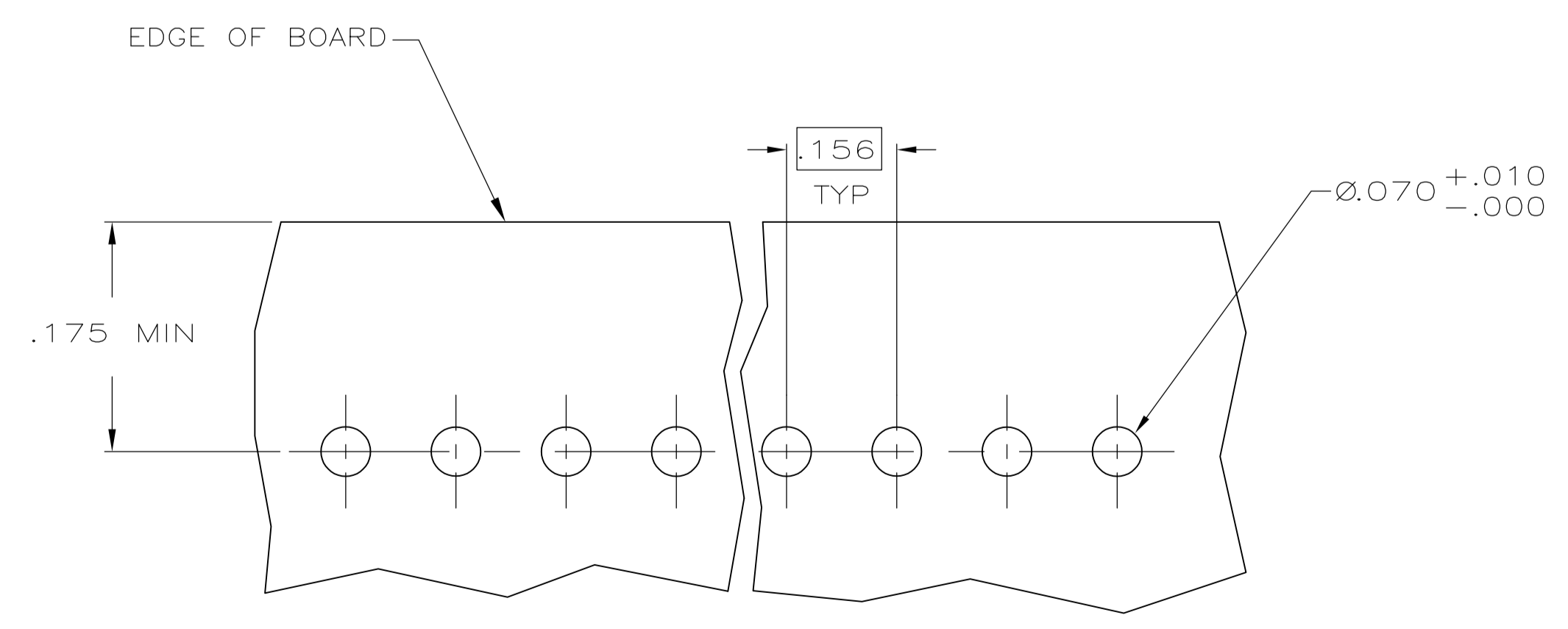
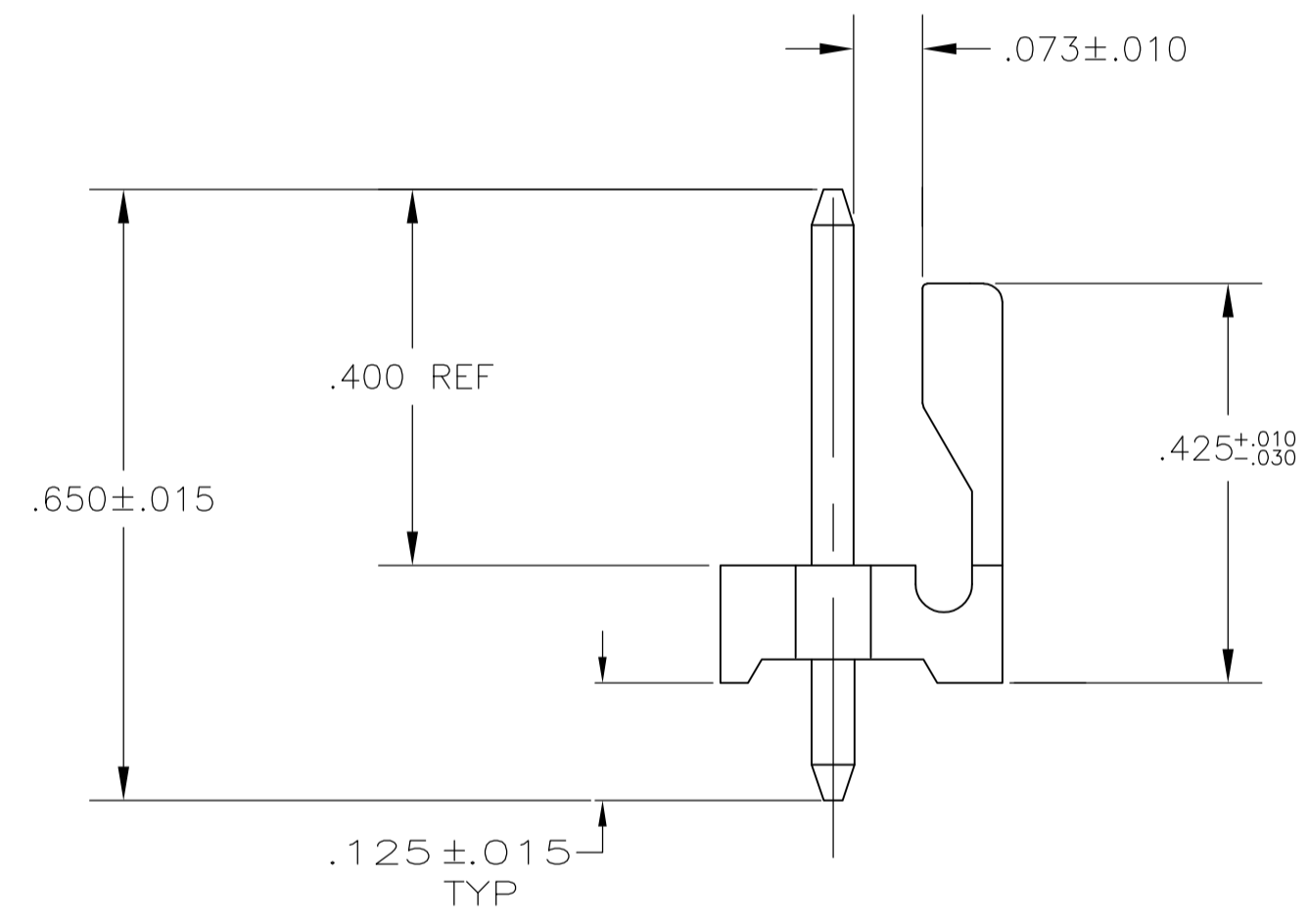
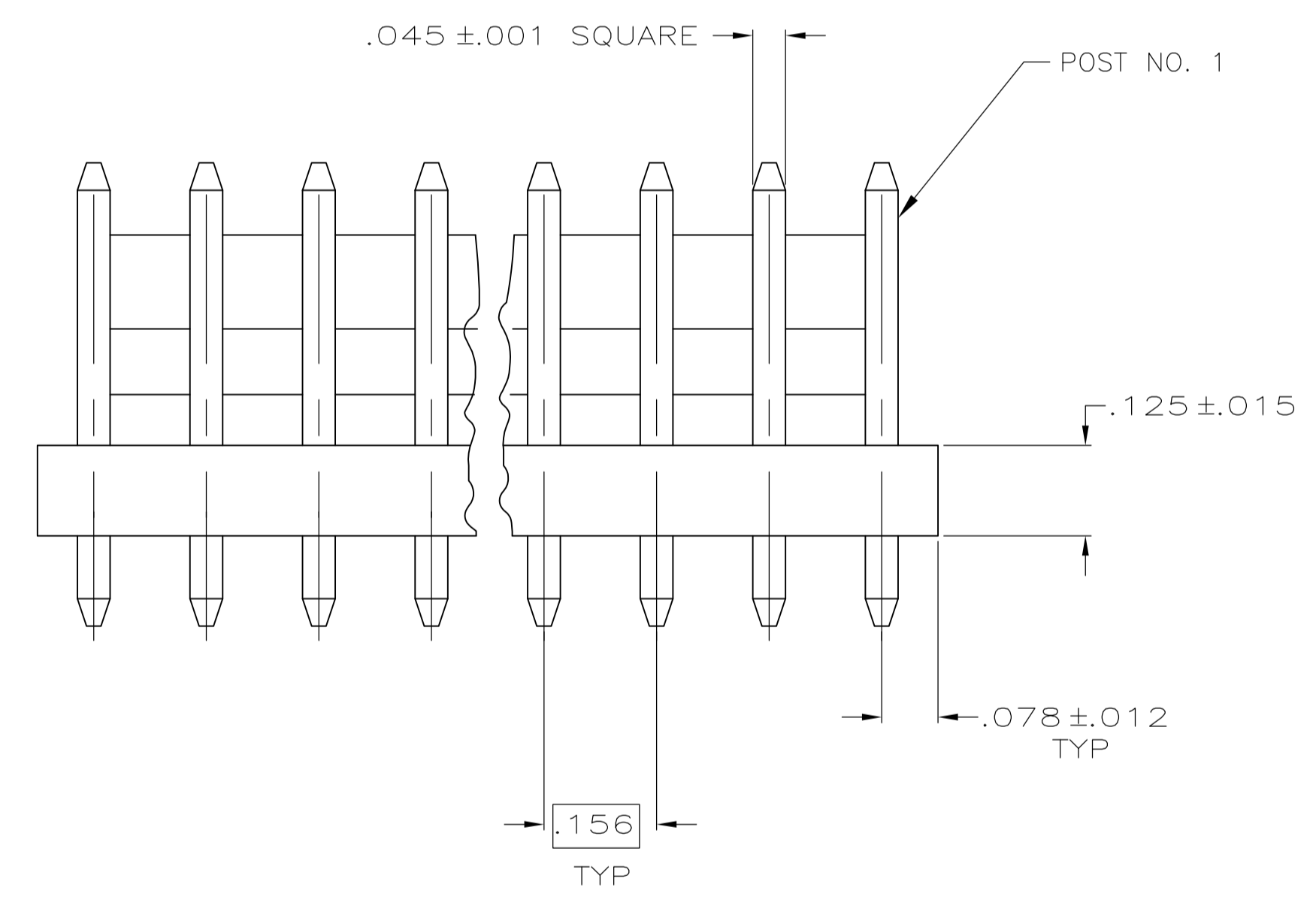
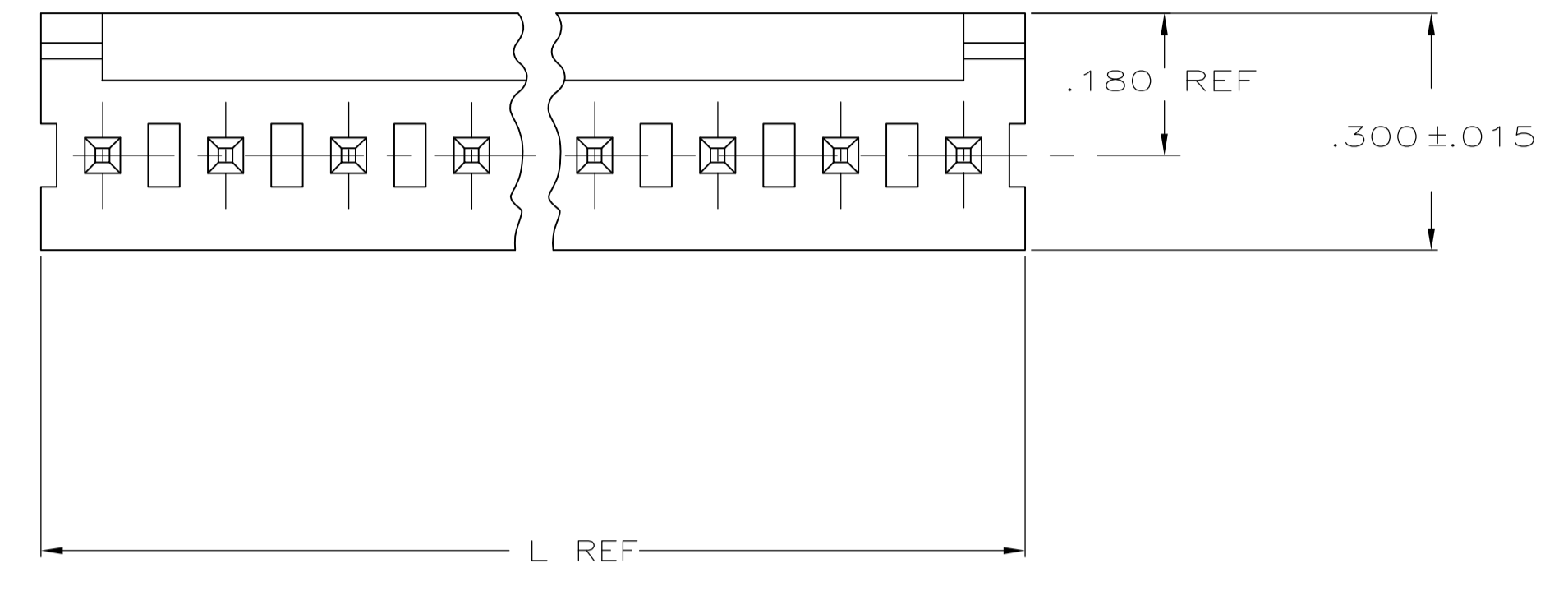


- 1 MATERIAL: HEADER-THERMOPLASTIC POLYESTER
GLASS-FILLED 94V-0 (NATURAL)
POST-COPPER ALLOY
- 2 FINISH: CONTACT-TIN PLATE
- 3 PARTS COMPLY WITH AMP SOLDERABILITY SPEC. NO. 109-11-12.
- 4 SPECIAL PACKAGING VARIATION FOR IMPROVED PRODUCT PROTECTION
- 5 PRELIMINARY-NOT FOR PRODUCTION



RECOMMENDED MOUNTING HOLE PATTERN FOR .063 THICK P.C. BOARD

POS. 2	MM	[IN]	NUMBER OF POSITIONS	PART NUMBER
39.62	1.560	9	3-640445-1/5	
31.70	1.248	8	3-640445-8	
95.10	3.744	24	2-640445-4	
91.14	3.588	23	2-640445-3	
87.17	3.432	22	2-640445-2	
83.21	3.276	21	2-640445-1	
79.25	3.120	20	2-640445-0	
75.29	2.964	19	1-640445-9	
71.32	2.808	18	1-640445-8	
67.36	2.652	17	1-640445-7	
63.40	2.496	16	1-640445-6	
59.44	2.340	15	1-640445-5	
55.47	2.184	14	1-640445-4	
51.51	2.028	13	1-640445-3	
47.55	1.872	12	1-640445-2	
43.59	1.716	11	1-640445-1	
39.62	1.560	10	1-640445-0	
35.66	1.404	9	640445-9	
31.70	1.248	8	640445-8	
27.74	1.092	7	640445-7	
23.77	.936	6	640445-6	
19.81	.780	5	640445-5	
15.85	.624	4	640445-4	
11.89	.468	3	640445-3	
7.92	.312	2	640445-2	
OMIT POS.	MM	[IN]	NUMBER OF POSITIONS	PART NUMBER

THIS DRAWING IS A CONTROLLED DOCUMENT.

DIMENSIONS: INCHES	TOLERANCES UNLESS OTHERWISE SPECIFIED:	DIN S. HOOVER 05-NOV-2002	REVISED BY: D. BOSSI 05-NOV-2002
0. PLC ±	1. PLC ±	2. PLC ±	3. PLC ±
4. ANGLES ±			

MATERIAL: 1 FINISH: 2

APPROVED BY: D. BOSSI 05-NOV-2002

APPLICATION SPEC: MTA-156 HEADER ASSEMBLY, FRICTION LOCK, STRAIGHT .045 SQUARE POST, TIN PLATED

SIZE: A1 CAGE CODE: 00779 DRAWING NO: 640445 WEIGHT: 0.00779g

CUSTOMER DRAWING SCALE: 5:1 SHEET 1 OF 1 RE: AD5

Mouser Electronics

Authorized Distributor

Click to View Pricing, Inventory, Delivery & Lifecycle Information:

[TE Connectivity:](#)

[2-640445-0](#)