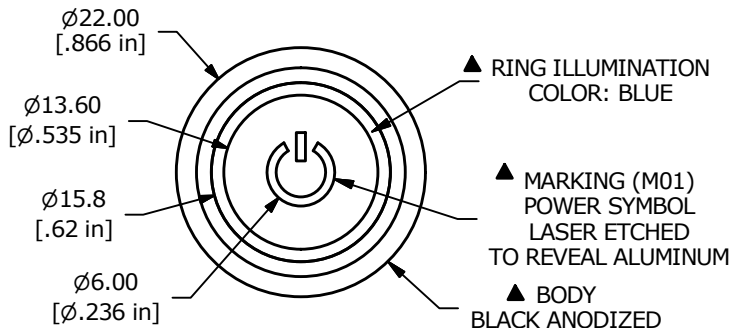


Recommended PANEL CUTOUT
MAX. PANEL THICKNESS:
11.0 [.43in]

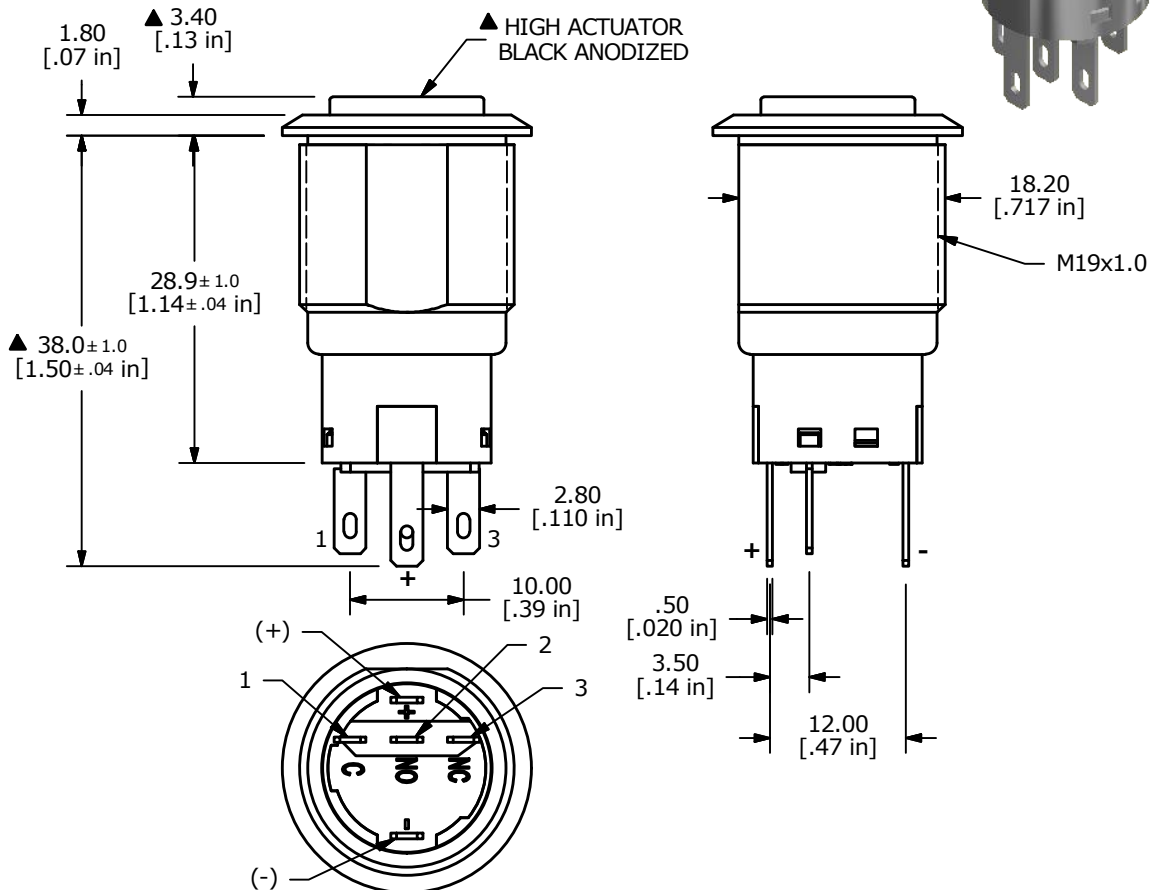
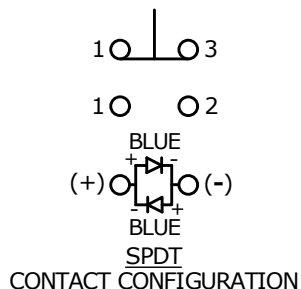


▲ RING ILLUMINATION
COLOR: BLUE
▲ MARKING (M01)
POWER SYMBOL
LASER ETCHED
TO REVEAL ALUMINUM
▲ BODY
BLACK ANODIZED



| SWITCH FUNCTION | |
|-----------------|--------|
| POS. 1 | POS. 2 |
| | |
| ON | (ON) |
| 1-3 | 1-2 |

(ON) = MOMENTARY



- NOTE:
- ALL DIMENSIONS IN MM [INCH]
 - GENERAL TOLERANCE: X.X = ±0.4
X.XX = ±0.25
 - TERMINAL NUMBERS FOR REF ONLY
 - CONTACT MATERIAL: SILVER
 - RATING: 2A 24VDC
 - ELECTRIC LIFE: 50,000 MAKE-AND-BREAK CYCLES AT FULL LOAD.
 - INSULATION RESISTANCE: 1,000 MΩ MIN.
 - DIELECTRIC STRENGTH: 2,000 VAC MIN. FOR 1 MINUTE
 - CONTACT RESISTANCE: 50mΩ MAX. @ 1A 12VDC
 - OPERATING TEMP.: -20°C to 55°C
 - TRAVEL: 2.8mm
 - ▲ DENOTES CRITICAL PARAMETER.
 - LAMP VOLTAGE: 20mA 2.8V
 - INGRESS PROTECTION: IP65
 - HARDWARE SUPPLIED: O-RING AND HEXNUT



| REV | PCR NO | DESCRIPTION | DATE | BY |
|-----|--------|------------------------------|----------|-----|
| C | 23606 | UPDATED RATING TO 2A @ 24VDC | 10/11/18 | MJR |
| B | 22413 | DRAWING UPDATES | 8/30/16 | MW |

| | | | | |
|-----------------------|---------------|--------|------------------------|-------|
| TITLE PV4H2B011341M01 | | | | |
| SCALE 3:2 | DATE 1/9/2013 | DR EBP | DWG 52-PV4H2B011341M01 | REV C |

THE INFORMATION CONTAINED IN THIS DOCUMENT IS PROPRIETARY TO E-SWITCH AND IS NOT TO BE COPIED OR TRANSFERRED

Mouser Electronics

Authorized Distributor

Click to View Pricing, Inventory, Delivery & Lifecycle Information:

[E-Switch:](#)

[PV4H2B011341M01](#)