

THIS DRAWING IS UNPUBLISHED.

RELEASED FOR PUBLICATION

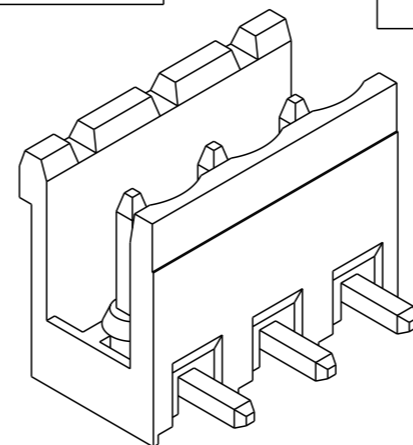
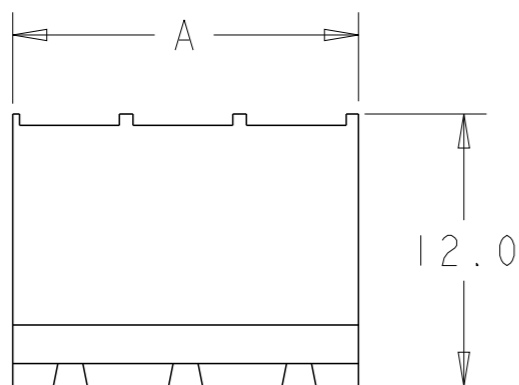
20

LOC DIST

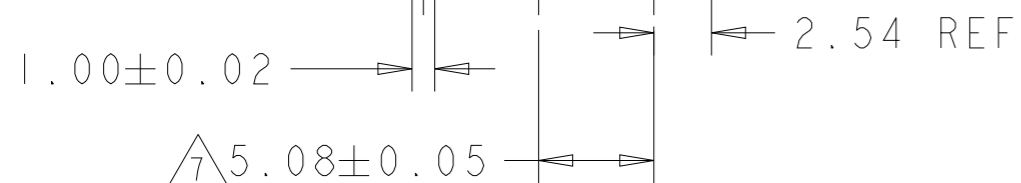
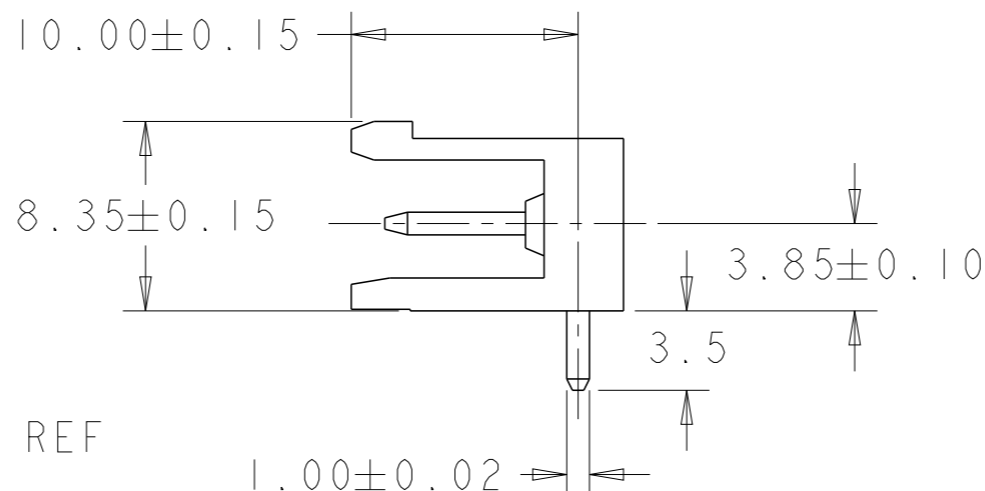
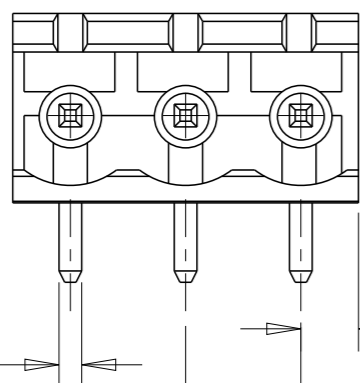
REVISIONS

© COPYRIGHT 20 Tyco Electronics AMP GmbH ALL RIGHTS RESERVED.

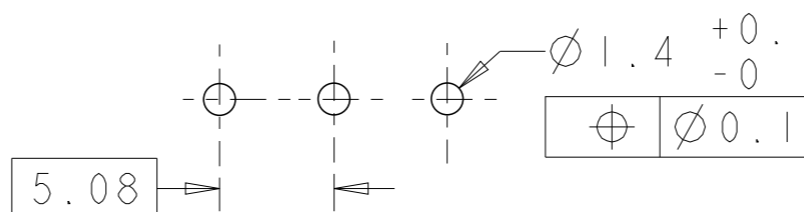
P	LTR	DESCRIPTION	DATE	DWN	APVD
	C3	PN 2-282815-6 ADDED	26MAR2018	RK	PS



282815-3 AS SHOWN



RECOMMENDED PC BOARD LAYOUT



COLOR	DIM. A	NO OF POS.	PART NUMBER
ORANGE	15.24	3	2-282815-6
GREEN	127.00	25	2-282815-5
GREEN	121.92	24	2-282815-4
GREEN	116.84	23	2-282815-3
GREEN	111.76	22	2-282815-2
GREEN	106.68	21	2-282815-1
GREEN	101.60	20	2-282815-0
GREEN	96.52	19	1-282815-9
GREEN	91.44	18	1-282815-8
GREEN	86.36	17	1-282815-7
GREEN	81.28	16	1-282815-6
GREEN	76.20	15	1-282815-5
GREEN	71.12	14	1-282815-4
GREEN	66.04	13	1-282815-3
GREEN	60.96	12	1-282815-2
GREEN	55.88	11	1-282815-1
GREEN	50.80	10	1-282815-0
GREEN	45.72	9	282815-9
GREEN	40.64	8	282815-8
GREEN	35.56	7	282815-7
GREEN	30.48	6	282815-6
GREEN	25.40	5	282815-5
GREEN	20.32	4	282815-4
GREEN	15.24	3	282815-3
GREEN	10.16	2	282815-2

OBSOLETE

OBSOLETE

THIS DRAWING IS A CONTROLLED DOCUMENT.		DWN 25 JUL 2001 E. ZANOLINI
DIMENSIONS: mm		CHK 25 JUL 2001 D. BIEVENOUR
TOLERANCES UNLESS OTHERWISE SPECIFIED:		APVD 25 JUL 2001 D. BIEVENOUR
0 PLC ±-	1 PLC ±0.3	PRODUCT SPEC 108-20166
2 PLC ±0.25	3 PLC ±-	APPLICATION SPEC 114-20079
4 PLC ±-	ANGLES ±2	WEIGHT -
MATERIAL SEE NOTES	FINISH SEE NOTES	CUSTOMER DRAWING


STE TE Connectivity			
NAME: TERMINAL BLOCK HEADER ASSEMBLY 90 DEGREE OPEN ENDS, STACKING 5.08mm PITCH			
SIZE	CAGE CODE	DRAWING NO	RESTRICTED TO
A3	00779	C-282815	
SCALE 3:1		SHEET 1 OF 2	REV C3


THIS DRAWING IS UNPUBLISHED. RELEASED FOR PUBLICATION 20

© COPYRIGHT 20 Tyco Electronics AMP GmbH ALL RIGHTS RESERVED.

LOC	DIST	REVISIONS					
		P	LTR	DESCRIPTION	DATE	DWN	APVD
		-		SEE SHEET 1	-	-	-

NOTES:

1. MATERIALS AND FINISH
HOUSING: PA 6-6, UL 94-V0.
TERMINAL: BRASS, TIN PLATED.
 2. MECHANICAL
MAX. INSERTION FORCE PER POLE : 3.0 N
MIN. WITHDRAWAL FORCE PER POLE : 1.5 N
MIN. PC BOARD HOLES DIAMETER : 1.4 mm
MAX. PC BOARD THICKNESS : 2.4 mm
 3. ELECTRICAL
WIRE RANGE : 12-30 AWG
MAX. VOLTAGE : 300 V
MAX CURRENT : 15 A
CONTACT RESISTANCE : <15 m Ohm
INSULATION RESISTANCE : >1000 M Ohm (500V DC)
 4. END-TO-END STACKABLE WITHOUT LOSS OF CENTERLINE SPACING.
 5. RECOGNIZED UNDER THE COMPONENT PROGRAM OF UNDERWRITERS LABORATORIES INC. FILE NO E60677.
 6. OPERATING TEMPERATURE RANGE: -40°C TO +110°C
-  NOT CUMULATIVE TOLERANCE.

THIS DRAWING IS A CONTROLLED DOCUMENT.		DWN E. ZANOLINI 25 JUL 2001	 TE Connectivity											
DIMENSIONS: mm		CHK D. BIEVENOUR 25 JUL 2001												
TOLERANCES UNLESS OTHERWISE SPECIFIED:		APVD D. BIEVENOUR 25 JUL 2001	NAME TERMINAL BLOCK HEADER ASSEMBLY 90 DEGREE OPEN ENDS, STACKING 5.08mm PITCH											
<table border="0"> <tr><td>0 PLC</td><td>±-</td></tr> <tr><td>1 PLC</td><td>±.2</td></tr> <tr><td>2 PLC</td><td>±.25</td></tr> <tr><td>3 PLC</td><td>±-</td></tr> <tr><td>4 PLC</td><td>±-</td></tr> <tr><td>ANGLES</td><td>±2</td></tr> </table>		0 PLC			±-	1 PLC	±.2	2 PLC	±.25	3 PLC	±-	4 PLC	±-	ANGLES
0 PLC	±-													
1 PLC	±.2													
2 PLC	±.25													
3 PLC	±-													
4 PLC	±-													
ANGLES	±2													
MATERIAL SEE NOTES		APPLICATION SPEC 114-20079	SIZE A3	CAGE CODE 00779	DRAWING NO C-282815	RESTRICTED TO								
FINISH SEE NOTES		WEIGHT -	SCALE 3:1		SHEET 2 OF 2	REV C3								
		CUSTOMER DRAWING												