

# Switched Mode Controller for DC Motor Drive

## FEATURES

- Single or Dual Supply Operation
- $\pm 2.5V$  to  $\pm 20V$  Input Supply Range
- $\pm 5\%$  Initial Oscillator Accuracy;  $\pm 10\%$  Over Temperature
- Pulse-by-Pulse Current Limiting
- Under-Voltage Lockout
- Shutdown Input with Temperature Compensated 2.5V Threshold
- Uncommitted PWM Comparators for Design Flexibility
- Dual 100mA, Source/Sink Output Drivers

## DESCRIPTION

The UC1637 is a pulse width modulator circuit intended to be used for a variety of PWM motor drive and amplifier applications requiring either uni-directional or bi-directional drive circuits. When used to replace conventional drivers, this circuit can increase efficiency and reduce component costs for many applications. All necessary circuitry is included to generate an analog error signal and modulate two bi-directional pulse train outputs in proportion to the error signal magnitude and polarity.

This monolithic device contains a sawtooth oscillator, error amplifier, and two PWM comparators with  $\pm 100mA$  output stages as standard features. Protection circuitry includes under-voltage lockout, pulse-by-pulse current limiting, and a shutdown port with a 2.5V temperature compensated threshold.

The UC1637 is characterized for operation over the full military temperature range of  $-55^{\circ}C$  to  $+125^{\circ}C$ , while the UC2637 and UC3637 are characterized for  $-25^{\circ}C$  to  $+85^{\circ}C$  and  $0^{\circ}C$  to  $+70^{\circ}C$ , respectively.

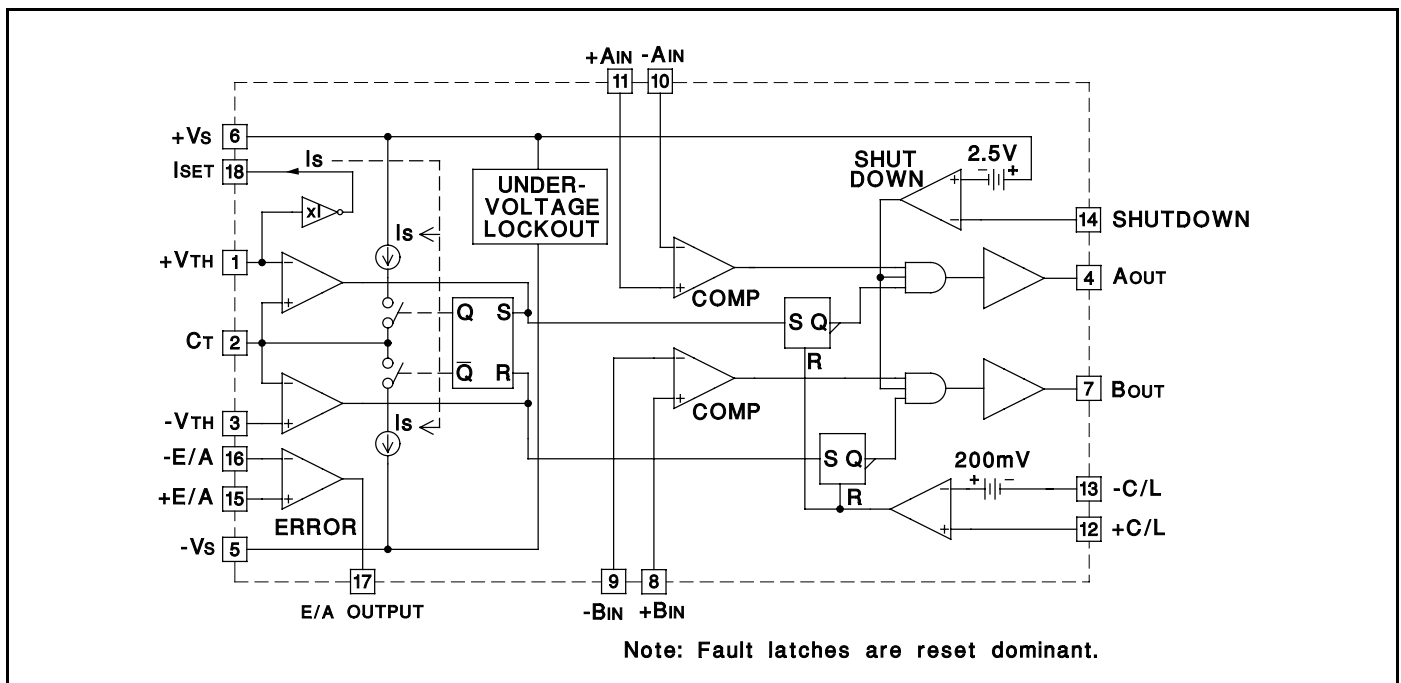
## ABSOLUTE MAXIMUM RATINGS (Note 1)

|  |       |                                   |
|--|-------|-----------------------------------|
| Supply Voltage ( $\pm V_s$ )                                   | ..... | $\pm 20V$                         |
| Output Current, Source/Sink (Pins 4, 7)                        | ..... | 500mA                             |
| Analog Inputs (Pins 1, 2, 3, 8, 9, 10, 11, 12, 13, 14, 15, 16) | ..... | $\pm V_s$                         |
| Error Amplifier Output Current (Pin 17)                        | ..... | $\pm 20mA$                        |
| Oscillator Charging Current (Pin 18)                           | ..... | -2mA                              |
| Power Dissipation at $T_A = 25^{\circ}C$ (Note 2)              | ..... | 1000mW                            |
| Power Dissipation at $T_C = 25^{\circ}C$ (Note 2)              | ..... | 2000mW                            |
| Storage Temperature Range                                      | ..... | $-65^{\circ}C$ to $+150^{\circ}C$ |
| Lead Temperature (Soldering, 10 Seconds)                       | ..... | $+300^{\circ}C$                   |

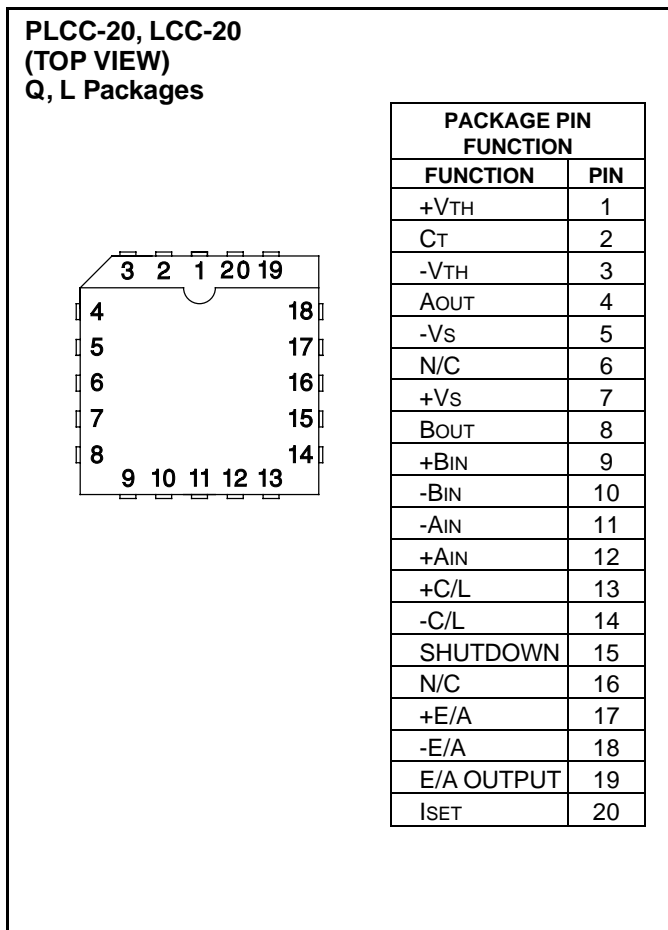
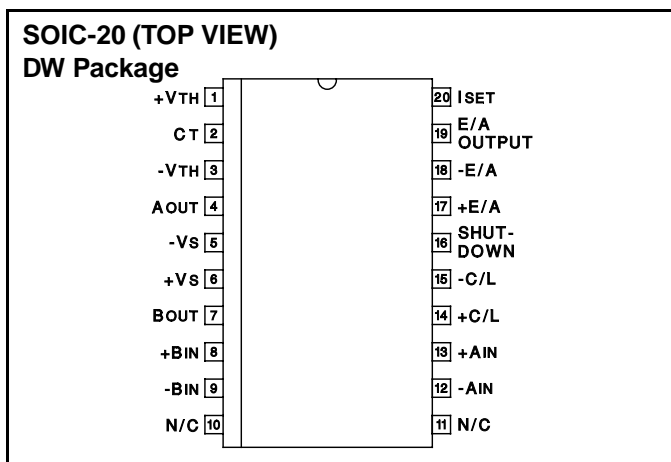
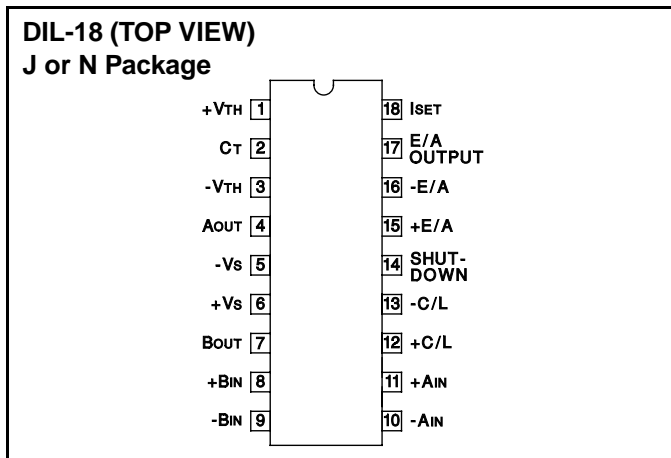
Note 1: Currents are positive into, negative out of the specified terminal.

Note 2: Consult Packaging Section of Databook for thermal limitations and considerations of package.

## BLOCK DIAGRAM



CONNECTION DIAGRAM



**ELECTRICAL CHARACTERISTICS:** Unless otherwise stated, these specifications apply for  $T_A = -55^\circ\text{C}$  to  $+125^\circ\text{C}$  for the UC1637;  $-25^\circ\text{C}$  to  $+85^\circ\text{C}$  for the UC2637; and  $0^\circ\text{C}$  to  $+70^\circ\text{C}$  for the UC3637;  $+V_S = +15\text{V}$ ,  $-V_S = -15\text{V}$ ,  $+V_{TH} = 5\text{V}$ ,  $-V_{TH} = -5\text{V}$ ,  $R_T = 16.7\text{k}\Omega$ ,  $C_T = 1500\text{pF}$ ,  $T_A = T_J$ .

| PARAMETER               | TEST CONDITIONS  | UC1637/UC2637 |      |            | UC3637     |      |            | UNITS                  |
|-------------------------|--|---------------|------|------------|------------|------|------------|------------------------|
|                         |  | MIN           | TYP  | MAX        | MIN        | TYP  | MAX        |                        |
| <b>Oscillator</b>       |  |               |      |            |            |      |            |                        |
| Initial Accuracy        | $T_J = 25^\circ\text{C}$ (Note 6)  | 9.4           | 10   | 10.6       | 9          | 10   | 11         | kHz                    |
| Voltage Stability       | $V_S = \pm 5\text{V}$ to $\pm 20\text{V}$ , $V_{PIN 1} = 3\text{V}$ , $V_{PIN 3} = -3\text{V}$ |               | 5    | 7          |            | 5    | 7          | %                      |
| Temperature Stability   | Over Operating Range (Note 3)  |               | 0.5  | 2          |            | 0.5  | 2          | %                      |
| +VTH Input Bias Current | $V_{PIN 2} = 6\text{V}$  | -10           | 0.1  | 10         | -10        | 0.1  | 10         | $\mu\text{A}$          |
| -VTH Input Bias Current | $V_{PIN 2} = 0\text{V}$  | -10           | -0.5 |            | -10        | -0.5 |            | $\mu\text{A}$          |
| +VTH, -VTH Input Range  |  | $+V_S - 2$    |      | $-V_S + 2$ | $+V_S - 2$ |      | $-V_S + 2$ | V                      |
| <b>Error Amplifier</b>  |  |               |      |            |            |      |            |                        |
| Input Offset Voltage    | $V_{CM} = 0\text{V}$   |               | 1.5  | 5          |            | 1.5  | 10         | mV                     |
| Input Bias Current      | $V_{CM} = 0\text{V}$   |               | 0.5  | 5          |            | 0.5  | 5          | $\mu\text{A}$          |
| Input Offset Current    | $V_{CM} = 0\text{V}$   |               | 0.1  | 1          |            | 0.1  | 1          | $\mu\text{A}$          |
| Common Mode Range       | $V_S = \pm 2.5$ to $20\text{V}$  | $-V_S + 2$    |      | $+V_S$     | $-V_S + 2$ |      | $+V_S$     | V                      |
| Open Loop Voltage Gain  | $R_L = 10\text{k}$   | 75            | 100  |            | 80         | 100  |            | dB                     |
| Slew Rate               |  |               | 15   |            |            | 15   |            | $\text{V}/\mu\text{s}$ |
| Unity Gain Bandwidth    |  |               | 2    |            |            | 2    |            | MHz                    |
| CMRR                    | Over Common Mode Range   | 75            | 100  |            | 75         | 100  |            | dB                     |
| PSRR                    | $V_S = \pm 2.5$ to $\pm 20\text{V}$  | 75            | 110  |            | 75         | 110  |            | dB                     |

**ELECTRICAL CHARACTERISTICS:** Unless otherwise stated, these specifications apply for  $T_A = -55^{\circ}\text{C}$  to  $+125^{\circ}\text{C}$  for the UC1637;  $-25^{\circ}\text{C}$  to  $+85^{\circ}\text{C}$  for the UC2637; and  $0^{\circ}\text{C}$  to  $+70^{\circ}\text{C}$  for the UC3637:  $V_S = +15\text{V}$ ,  $-V_S = -15\text{V}$ ,  $+V_{TH} = 5\text{V}$ ,  $-V_{TH} = -5\text{V}$ ,  $R_T = 16.7\text{k}\Omega$ ,  $C_T = 1500\text{pF}$ ,  $T_A = T_J$ .

| PARAMETERS                         | TEST CONDITIONS  | UC1637/UC2637 |       |            | UC3637     |       |            | UNITS                        |
|------------------------------------|--|---------------|-------|------------|------------|-------|------------|------------------------------|
|                                    |  | MIN           | TYP   | MAX        | MIN        | TYP   | MAX        |                              |
| <b>Error Amplifier (Continued)</b> |  |               |       |            |            |       |            |                              |
| Output Sink Current                | $V_{PIN\ 17} = 0\text{V}$                                |               | -50   | -20        |            | -50   | -20        | mA                           |
| Output Source Current              | $V_{PIN\ 17} = 0\text{V}$                                | 5             | 11    |            | 5          | 11    |            | mA                           |
| High Level Output Voltage          |  | 13            | 13.6  |            | 13         | 13.6  |            | V                            |
| Low Level Output Voltage           |  |               | -14.8 | -13        |            | -14.8 | -13        | V                            |
| <b>PWM Comparators</b>             |  |               |       |            |            |       |            |                              |
| Input Offset Voltage               | $V_{CM} = 0\text{V}$                                     |               | 20    |            |            | 20    |            | mV                           |
| Input Bias Current                 | $V_{CM} = 0\text{V}$                                     |               | 2     | 10         |            | 2     | 10         | $\mu\text{A}$                |
| Input Hysteresis                   | $V_{CM} = 0\text{V}$                                     |               | 10    |            |            | 10    |            | mV                           |
| Common Mode range                  | $V_S = \pm 5\text{V}$ to $\pm 20\text{V}$                | $-V_S + 1$    |       | $+V_S - 2$ | $-V_S + 1$ |       | $+V_S - 2$ | V                            |
| <b>Current Limit</b>               |  |               |       |            |            |       |            |                              |
| Input Offset Voltage               | $V_{CM} = 0\text{V}$ , $T_J = 25^{\circ}\text{C}$        | 190           | 200   | 210        | 180        | 200   | 220        | mV                           |
| Input Offset Voltage T.C.          |  |               | -0.2  |            |            | -0.2  |            | $\text{mV}/^{\circ}\text{C}$ |
| Input Bias Current                 |  | -10           | -1.5  |            | -10        | -1.5  |            | $\mu\text{A}$                |
| Common Mode Range                  | $V_S = \pm 2.5\text{V}$ to $\pm 20\text{V}$              | $-V_S$        |       | $+V_S - 3$ | $-V_S$     |       | $+V_S - 3$ | V                            |
| <b>Shutdown</b>                    |  |               |       |            |            |       |            |                              |
| Shutdown Threshold                 | (Note 4)   | -2.3          | -2.5  | -2.7       | -2.3       | -2.5  | -2.7       | V                            |
| Hysteresis                         |  |               | 40    |            |            | 40    |            | mV                           |
| Input Bias Current                 | $V_{PIN\ 14} = +V_S$ to $-V_S$                           | -10           | -0.5  |            | -10        | -0.5  |            | $\mu\text{A}$                |
| <b>Under-Voltage Lockout</b>       |  |               |       |            |            |       |            |                              |
| Start Threshold                    | (Note 5)   |               | 4.15  | 5.0        |            | 4.15  | 5.0        | V                            |
| Hysteresis                         |  |               | 0.25  |            |            | 0.25  |            | mV                           |
| <b>Total Standby Current</b>       |  |               |       |            |            |       |            |                              |
| Supply Current                     |  |               | 8.5   | 15         |            | 8.5   | 15         | mA                           |
| <b>Output Section</b>              |  |               |       |            |            |       |            |                              |
| Output Low Level                   | $I_{SINK} = 20\text{mA}$                                 |               | -14.9 | -13        |            | -14.9 | -13        | V                            |
|                                    | $I_{SINK} = 100\text{mA}$                                |               | -14.5 | -13        |            | -14.5 | -13        |                              |
| Output High Level                  | $I_{SOURCE} = 20\text{mA}$                               | 13            | 13.5  |            | 13         | 13.5  |            | V                            |
|                                    | $I_{SOURCE} = 100\text{mA}$                              | 12            | 13.5  |            | 12         | 13.5  |            |                              |
| Rise Time                          | (Note 3) $C_L = \text{Inf}$ , $T_J = 25^{\circ}\text{C}$ |               | 100   | 600        |            | 100   | 600        | ns                           |
| Fall Time                          | (Note 3) $C_L = \text{Inf}$ , $T_J = 25^{\circ}\text{C}$ |               | 100   | 300        |            | 100   | 300        | ns                           |

Note 3: These parameters, although guaranteed over the recommended operating conditions, are not 100% tested in production.

Note 4: Parameter measured with respect to  $+V_S$  (Pin 6).

Note 5: Parameter measured at  $+V_S$  (Pin 6) with respect to  $-V_S$  (Pin 5).

Note 6:  $R_T$  and  $C_T$  referenced to Ground.

## FUNCTIONAL DESCRIPTION

Following is a description of each of the functional blocks shown in the Block Diagram.

### Oscillator

The oscillator consists of two comparators, a charging and discharging current source, a current source set terminal, ISET and a flip-flop. The upper and lower threshold of the oscillator waveform is set externally by applying a voltage at pins  $+V_{TH}$  and  $-V_{TH}$  respectively. The  $+V_{TH}$  ter-

minal voltage is buffered internally and also applied to the ISET terminal to develop the capacitor charging current through  $R_T$ . If  $R_T$  is referenced to  $-V_S$  as shown in Figure 1, both the threshold voltage and charging current will vary proportionally to the supply differential, and the oscillator frequency will remain constant. The triangle waveform oscillators frequency and voltage amplitude is determined by the external components using the formulas given in Figure 1.

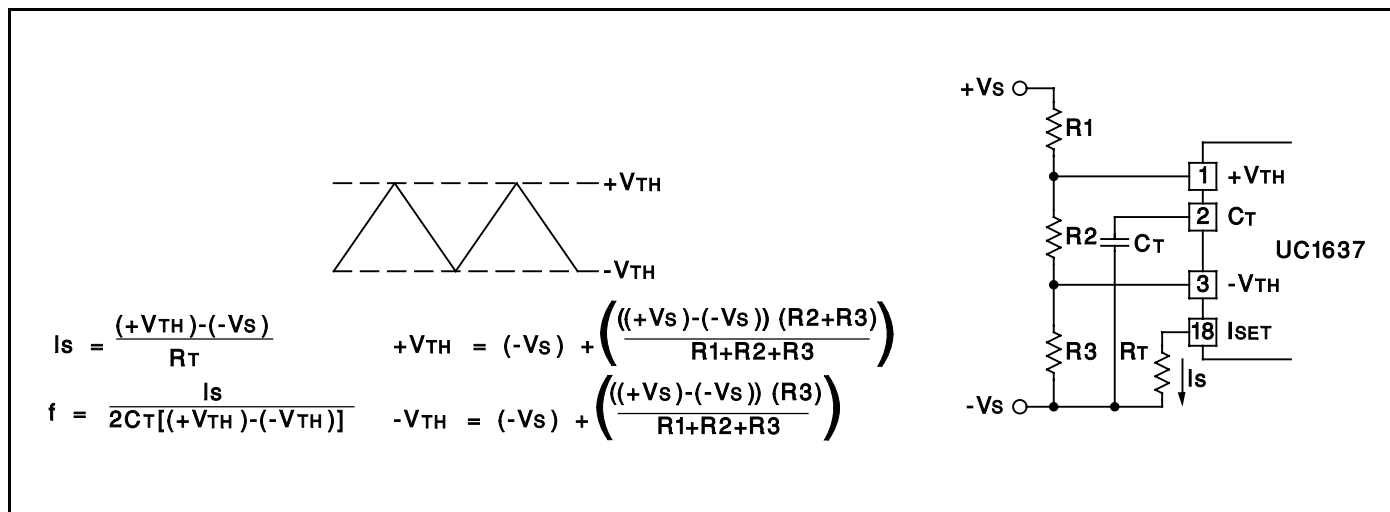


Figure 1. Oscillator Setup

### PWM Comparators

Two comparators are provided to perform pulse width modulation for each of the output drivers. Inputs are uncommitted to allow maximum flexibility. The pulse width of the outputs A and B is a function of the sign and amplitude of the error signal. A negative signal at Pin 10 and 8 will lengthen the high state of output A and shorten the high state of output B. Likewise, a positive error signal reverses the procedure. Typically, the oscillator waveform is compared against the summation of the error signal and the level set on Pin 9 and 11.

### MODULATION SCHEMES

#### Case A Zero Deadtime (Equal voltage on Pin 9 and Pin 11)

In this configuration, maximum holding torque or stiffness and position accuracy is achieved. However, the power input into the motor is increased. Figure 3A shows this configuration.

#### Case B Small Deadtime (Voltage on Pin 9 > Pin 11)

A small differential voltage between Pin 9 and 11 provides the necessary time delay to reduce the chances of momentary short circuit in the output stage during transitions, especially where power-amplifiers are used. Refer to Figure 3B.

#### Case C Increased Deadtime and Deadband Mode

(Voltage on Pin 9 > Pin 11)

With the reduction of stiffness and position accuracy, the power input into the motor around the null point of the servo loop can be reduced or eliminated by widening the window of the comparator circuit to a degree of acceptance. Where position accuracy and mechanical stiffness is unimportant, deadband operation can be used. This is shown in Figure 3C.

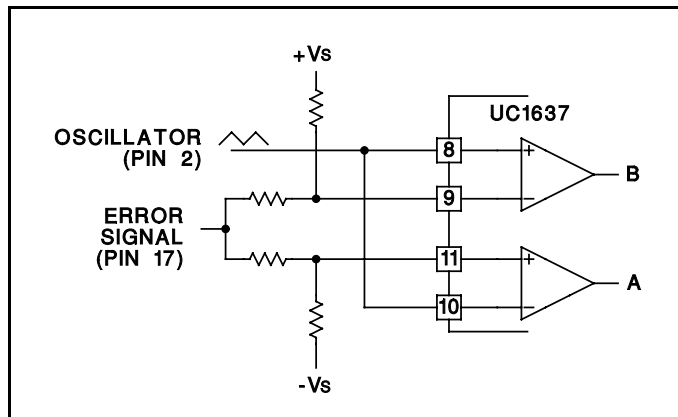


Figure 2. Comparator Biasing

### Output Drivers

Each output driver is capable of both sourcing and sinking 100mA steady state and up to 500mA on a pulsed basis for rapid switching of either POWERFET or bipolar transistors. Output levels are typically  $-V_s + 0.2V$  @50mA low level and  $+V_s - 2.0V$  @50mA high level.

### Error Amplifier

The error amplifier consists of a high slew rate ( $15V/\mu s$ ) op-amp with a typical 1MHz bandwidth and low output impedance. Depending on the  $\pm V_s$  supply voltage, the common mode input range and the voltage output swing is within 2V of the  $V_s$  supply.

### Under-Voltage Lockout

An under-voltage lockout circuit holds the outputs in the low state until a minimum of 4V is reached. At this point, all internal circuitry is functional and the output drivers are enabled. If external circuitry requires a higher starting voltage, an over-riding voltage can be programmed through the shutdown terminal as shown in Figure 4.

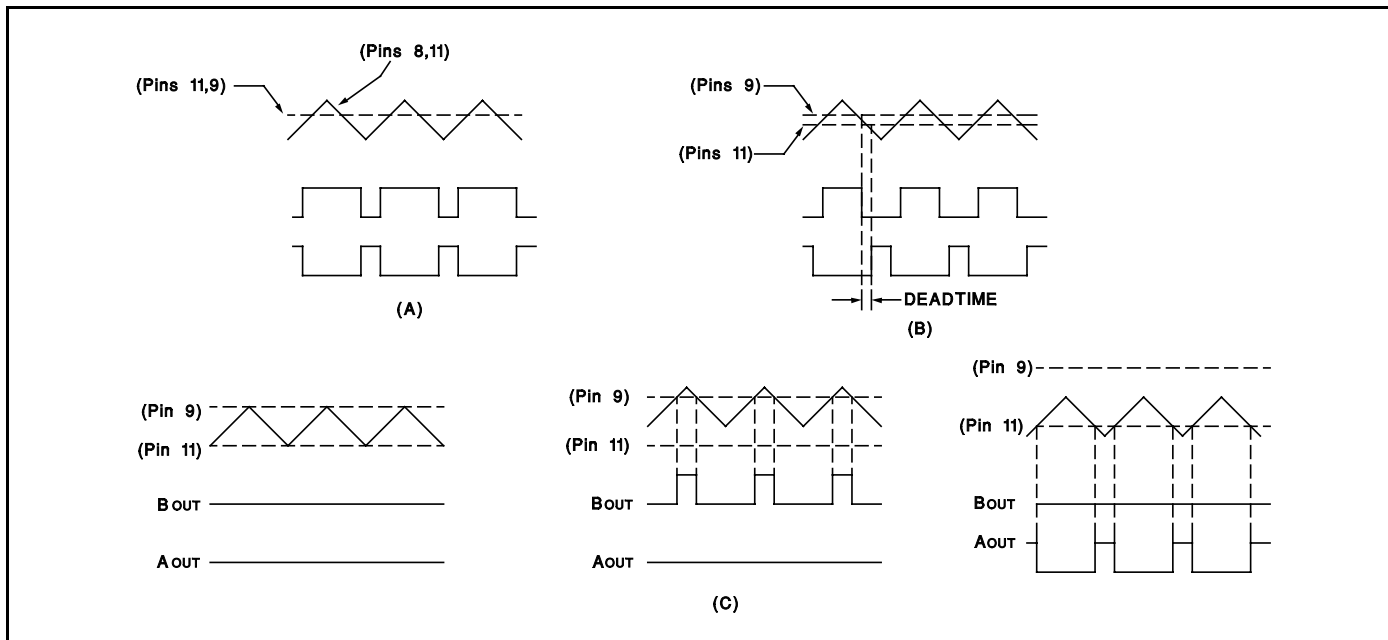


Figure 3. Modulation Schemes Showing (A) Zero Deadtime (B) Deadtime and (C) Deadband Configurations

### Shutdown Comparator

The shutdown terminal may be used for implementing various shutdown and protection schemes. By pulling the terminal more than 2.5V below  $V_{IN}$ , the output drivers will be enabled. This can be realized using an open collector gate or NPN transistor biased to either ground or the negative supply. Since the threshold is temperature stabilized, the comparator can be used as an accurate low voltage lockout (Figure 4) and/or delayed start as in Figure 5. In the shutdown mode the outputs are held in the low state.

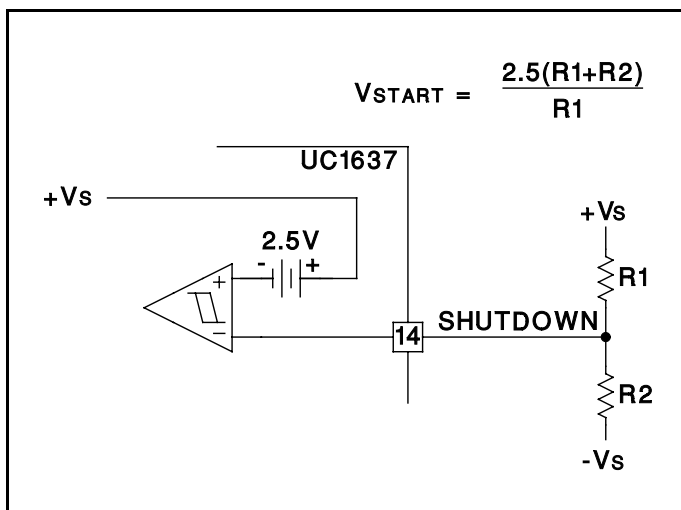


Figure 4. External Under-Voltage Lockout

### Current Limit

A latched current limit amplifier with an internal 200mV offset is provided to allow pulse-by-pulse current limiting. Differential inputs will accept common mode signals from

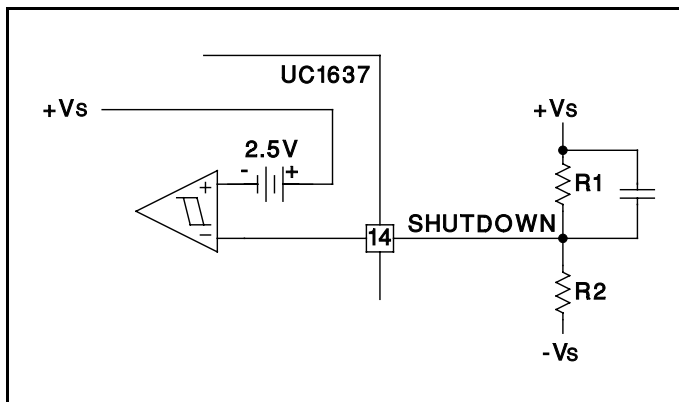


Figure 5. Delayed Start-Up

$-V_s$  to within 3V of the  $+V_s$  supply while providing excellent noise rejection. Figure 6 shows a typical current sense circuit.

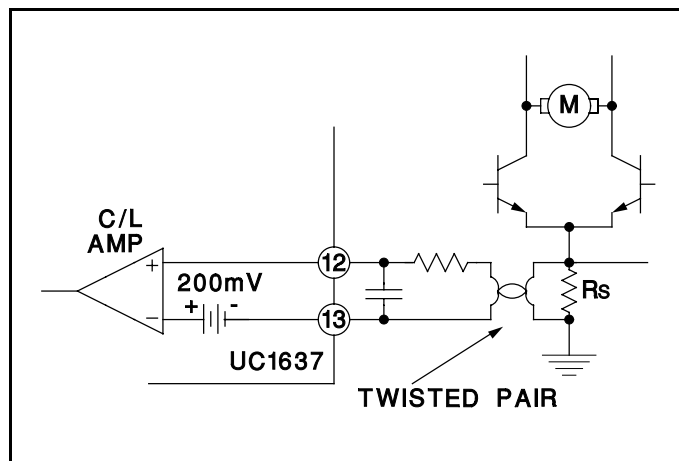


Figure 6. Current Limit Sensing

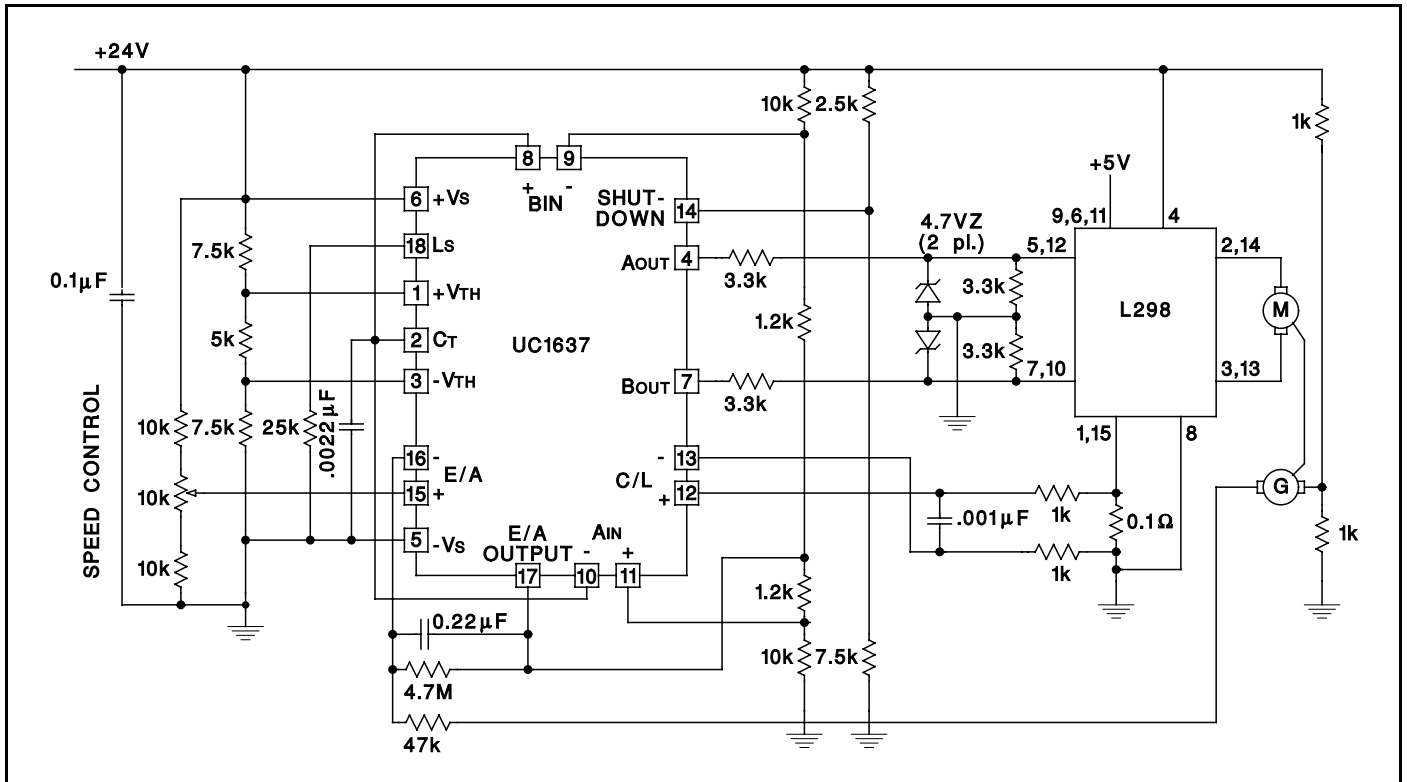


Figure 7. Bi-Directional Motor Drive with Speed Control Power-Amplifier

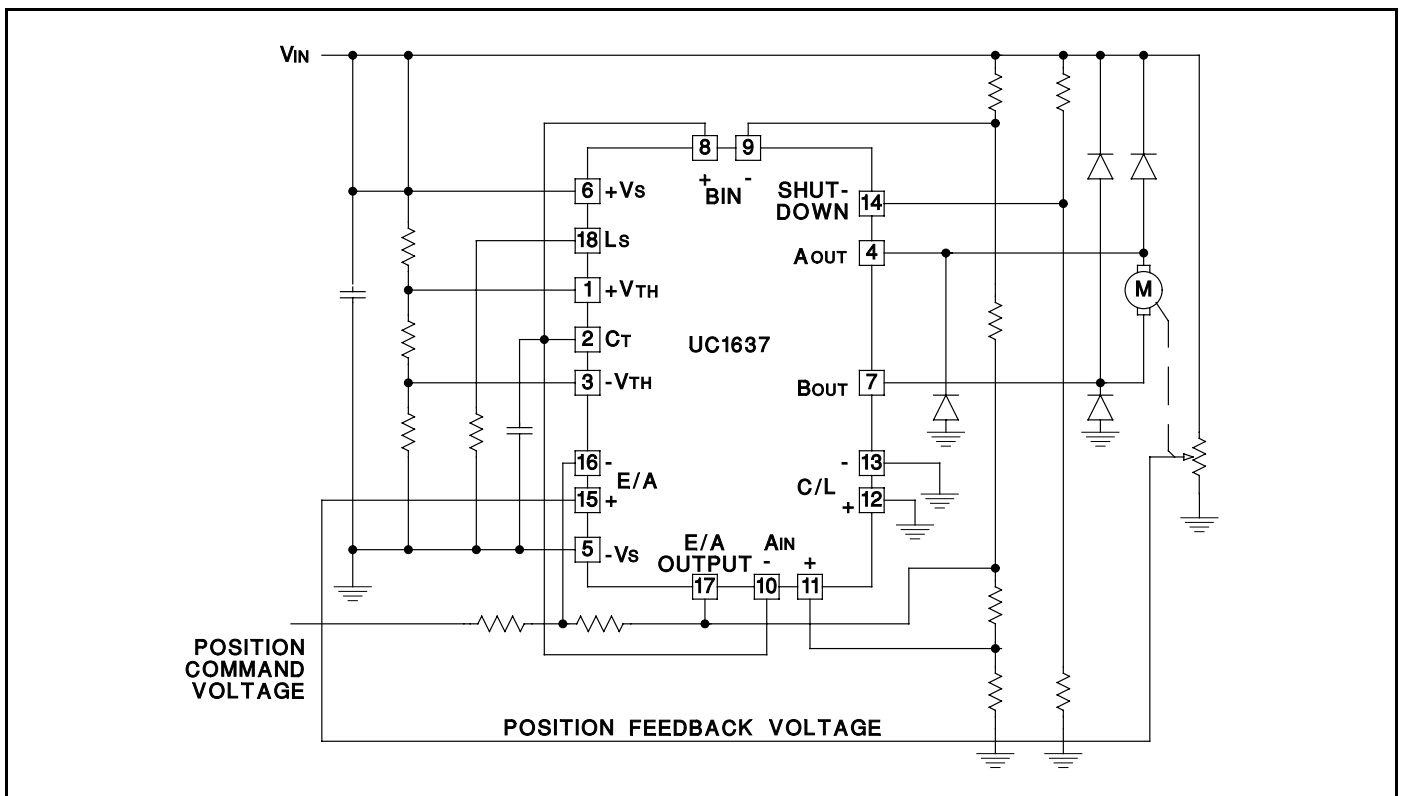


Figure 8. Single Supply Position Servo Motor Drive

**PACKAGING INFORMATION**

| Orderable Device | Status<br>(1) | Package Type | Package Drawing | Pins | Package Qty | Eco Plan<br>(2)         | Lead/Ball Finish<br>(6) | MSL Peak Temp<br>(3) | Op Temp (°C) | Device Marking<br>(4/5)            | Samples                 |
|------------------|---------------|--------------|-----------------|------|-------------|-------------------------|-------------------------|----------------------|--------------|------------------------------------|-------------------------|
| 5962-89957012A   | ACTIVE        | LCCC         | FK              | 20   | 1           | TBD                     | POST-PLATE              | N / A for Pkg Type   | -55 to 125   | 5962-89957012A<br>UC1637L/<br>883B | <a href="#">Samples</a> |
| 5962-8995701VA   | ACTIVE        | CDIP         | J               | 18   | 1           | TBD                     | Call TI                 | N / A for Pkg Type   | -55 to 125   | 5962-8995701VA<br>UC1637J/883B     | <a href="#">Samples</a> |
| UC1637J          | ACTIVE        | CDIP         | J               | 18   | 1           | TBD                     | Call TI                 | N / A for Pkg Type   | -55 to 125   | UC1637J                            | <a href="#">Samples</a> |
| UC1637J883B      | ACTIVE        | CDIP         | J               | 18   | 1           | TBD                     | Call TI                 | N / A for Pkg Type   | -55 to 125   | 5962-8995701VA<br>UC1637J/883B     | <a href="#">Samples</a> |
| UC1637L          | ACTIVE        | LCCC         | FK              | 20   | 1           | TBD                     | POST-PLATE              | N / A for Pkg Type   | -55 to 125   | UC1637L                            | <a href="#">Samples</a> |
| UC1637L883B      | ACTIVE        | LCCC         | FK              | 20   | 1           | TBD                     | POST-PLATE              | N / A for Pkg Type   | -55 to 125   | 5962-89957012A<br>UC1637L/<br>883B | <a href="#">Samples</a> |
| UC2637DW         | ACTIVE        | SOIC         | DW              | 20   | 25          | Green (RoHS & no Sb/Br) | NIPDAU                  | Level-2-260C-1 YEAR  | -25 to 85    | UC2637DW                           | <a href="#">Samples</a> |
| UC2637DWG4       | ACTIVE        | SOIC         | DW              | 20   | 25          | Green (RoHS & no Sb/Br) | NIPDAU                  | Level-2-260C-1 YEAR  | -25 to 85    | UC2637DW                           | <a href="#">Samples</a> |
| UC2637DWTR       | ACTIVE        | SOIC         | DW              | 20   | 2000        | Green (RoHS & no Sb/Br) | NIPDAU                  | Level-2-260C-1 YEAR  | -25 to 85    | UC2637DW                           | <a href="#">Samples</a> |
| UC2637J          | ACTIVE        | CDIP         | J               | 18   | 1           | TBD                     | Call TI                 | N / A for Pkg Type   | 0 to 0       | UC2637J                            | <a href="#">Samples</a> |
| UC2637N          | ACTIVE        | PDIP         | N               | 18   | 20          | Green (RoHS & no Sb/Br) | NIPDAU                  | N / A for Pkg Type   | -25 to 85    | UC2637N                            | <a href="#">Samples</a> |
| UC2637NG4        | ACTIVE        | PDIP         | N               | 18   | 20          | Green (RoHS & no Sb/Br) | NIPDAU                  | N / A for Pkg Type   | -25 to 85    | UC2637N                            | <a href="#">Samples</a> |
| UC3637DW         | ACTIVE        | SOIC         | DW              | 20   | 25          | Green (RoHS & no Sb/Br) | NIPDAU                  | Level-2-260C-1 YEAR  | 0 to 70      | UC3637DW                           | <a href="#">Samples</a> |
| UC3637DWTR       | ACTIVE        | SOIC         | DW              | 20   | 2000        | Green (RoHS & no Sb/Br) | NIPDAU                  | Level-2-260C-1 YEAR  | 0 to 70      | UC3637DW                           | <a href="#">Samples</a> |
| UC3637J          | ACTIVE        | CDIP         | J               | 18   | 1           | TBD                     | Call TI                 | N / A for Pkg Type   | 0 to 70      | UC3637J                            | <a href="#">Samples</a> |
| UC3637N          | ACTIVE        | PDIP         | N               | 18   | 20          | Green (RoHS & no Sb/Br) | NIPDAU                  | N / A for Pkg Type   | 0 to 70      | UC3637N                            | <a href="#">Samples</a> |

(1) The marketing status values are defined as follows:

**ACTIVE:** Product device recommended for new designs.

**LIFEBUY:** TI has announced that the device will be discontinued, and a lifetime-buy period is in effect.

**NRND:** Not recommended for new designs. Device is in production to support existing customers, but TI does not recommend using this part in a new design.

**PREVIEW:** Device has been announced but is not in production. Samples may or may not be available.

**OBSOLETE:** TI has discontinued the production of the device.

(2) **RoHS:** TI defines "RoHS" to mean semiconductor products that are compliant with the current EU RoHS requirements for all 10 RoHS substances, including the requirement that RoHS substance do not exceed 0.1% by weight in homogeneous materials. Where designed to be soldered at high temperatures, "RoHS" products are suitable for use in specified lead-free processes. TI may reference these types of products as "Pb-Free".

**RoHS Exempt:** TI defines "RoHS Exempt" to mean products that contain lead but are compliant with EU RoHS pursuant to a specific EU RoHS exemption.

**Green:** TI defines "Green" to mean the content of Chlorine (Cl) and Bromine (Br) based flame retardants meet JS709B low halogen requirements of  $\leq 1000$ ppm threshold. Antimony trioxide based flame retardants must also meet the  $\leq 1000$ ppm threshold requirement.

(3) MSL, Peak Temp. - The Moisture Sensitivity Level rating according to the JEDEC industry standard classifications, and peak solder temperature.

(4) There may be additional marking, which relates to the logo, the lot trace code information, or the environmental category on the device.

(5) Multiple Device Markings will be inside parentheses. Only one Device Marking contained in parentheses and separated by a "~" will appear on a device. If a line is indented then it is a continuation of the previous line and the two combined represent the entire Device Marking for that device.

(6) Lead/Ball Finish - Orderable Devices may have multiple material finish options. Finish options are separated by a vertical ruled line. Lead/Ball Finish values may wrap to two lines if the finish value exceeds the maximum column width.

**Important Information and Disclaimer:** The information provided on this page represents TI's knowledge and belief as of the date that it is provided. TI bases its knowledge and belief on information provided by third parties, and makes no representation or warranty as to the accuracy of such information. Efforts are underway to better integrate information from third parties. TI has taken and continues to take reasonable steps to provide representative and accurate information but may not have conducted destructive testing or chemical analysis on incoming materials and chemicals. TI and TI suppliers consider certain information to be proprietary, and thus CAS numbers and other limited information may not be available for release.

In no event shall TI's liability arising out of such information exceed the total purchase price of the TI part(s) at issue in this document sold by TI to Customer on an annual basis.

**OTHER QUALIFIED VERSIONS OF UC1637, UC3637, UC3637M :**

● Catalog: [UC3637](#), [UC3637M](#), [UC3637](#)

● Military: [UC1637](#), [UC1637](#)

● Space: [UC1637-SP](#)



NOTE: Qualified Version Definitions:

- Catalog - TI's standard catalog product
- Military - QML certified for Military and Defense Applications
- Space - Radiation tolerant, ceramic packaging and qualified for use in Space-based application

**TAPE AND REEL INFORMATION**

**QUADRANT ASSIGNMENTS FOR PIN 1 ORIENTATION IN TAPE**


\*All dimensions are nominal

| Device     | Package Type | Package Drawing | Pins | SPQ  | Reel Diameter (mm) | Reel Width W1 (mm) | A0 (mm) | B0 (mm) | K0 (mm) | P1 (mm) | W (mm) | Pin1 Quadrant |
|------------|--------------|-----------------|------|------|--------------------|--------------------|---------|---------|---------|---------|--------|---------------|
| UC2637DWTR | SOIC         | DW              | 20   | 2000 | 330.0              | 24.4               | 10.8    | 13.3    | 2.7     | 12.0    | 24.0   | Q1            |
| UC3637DWTR | SOIC         | DW              | 20   | 2000 | 330.0              | 24.4               | 10.8    | 13.3    | 2.7     | 12.0    | 24.0   | Q1            |

**TAPE AND REEL BOX DIMENSIONS**


\*All dimensions are nominal

| Device     | Package Type | Package Drawing | Pins | SPQ  | Length (mm) | Width (mm) | Height (mm) |
|------------|--------------|-----------------|------|------|-------------|------------|-------------|
| UC2637DWTR | SOIC         | DW              | 20   | 2000 | 367.0       | 367.0      | 45.0        |
| UC3637DWTR | SOIC         | DW              | 20   | 2000 | 367.0       | 367.0      | 45.0        |

J (R-GDIP-T\*\*)

14 LEADS SHOWN

CERAMIC DUAL IN-LINE PACKAGE



| DIM \ PINS ** | 14                     | 16                     | 18                     | 20                     |
|---------------|------------------------|------------------------|------------------------|------------------------|
| A             | 0.300<br>(7,62)<br>BSC | 0.300<br>(7,62)<br>BSC | 0.300<br>(7,62)<br>BSC | 0.300<br>(7,62)<br>BSC |
| B MAX         | 0.785<br>(19,94)       | .840<br>(21,34)        | 0.960<br>(24,38)       | 1.060<br>(26,92)       |
| B MIN         | —                      | —                      | —                      | —                      |
| C MAX         | 0.300<br>(7,62)        | 0.300<br>(7,62)        | 0.310<br>(7,87)        | 0.300<br>(7,62)        |
| C MIN         | 0.245<br>(6,22)        | 0.245<br>(6,22)        | 0.220<br>(5,59)        | 0.245<br>(6,22)        |



4040083/F 03/03

- NOTES:
- A. All linear dimensions are in inches (millimeters).
  - B. This drawing is subject to change without notice.
  - C. This package is hermetically sealed with a ceramic lid using glass frit.
  - D. Index point is provided on cap for terminal identification only on press ceramic glass frit seal only.
  - E. Falls within MIL STD 1835 GDIP1-T14, GDIP1-T16, GDIP1-T18 and GDIP1-T20.

FK (S-CQCC-N\*\*)

LEADLESS CERAMIC CHIP CARRIER

28 TERMINAL SHOWN



| NO. OF TERMINALS ** | A                |                  | B                |                  |
|---------------------|------------------|------------------|------------------|------------------|
|                     | MIN              | MAX              | MIN              | MAX              |
| 20                  | 0.342<br>(8,69)  | 0.358<br>(9,09)  | 0.307<br>(7,80)  | 0.358<br>(9,09)  |
| 28                  | 0.442<br>(11,23) | 0.458<br>(11,63) | 0.406<br>(10,31) | 0.458<br>(11,63) |
| 44                  | 0.640<br>(16,26) | 0.660<br>(16,76) | 0.495<br>(12,58) | 0.560<br>(14,22) |
| 52                  | 0.740<br>(18,78) | 0.761<br>(19,32) | 0.495<br>(12,58) | 0.560<br>(14,22) |
| 68                  | 0.938<br>(23,83) | 0.962<br>(24,43) | 0.850<br>(21,6)  | 0.858<br>(21,8)  |
| 84                  | 1.141<br>(28,99) | 1.165<br>(29,59) | 1.047<br>(26,6)  | 1.063<br>(27,0)  |



4040140/D 01/11

- NOTES:
- All linear dimensions are in inches (millimeters).
  - This drawing is subject to change without notice.
  - This package can be hermetically sealed with a metal lid.
  - Falls within JEDEC MS-004

N (R-PDIP-T\*\*)

PLASTIC DUAL-IN-LINE PACKAGE

16 PINS SHOWN



4040049/E 12/2002

- NOTES:
- A. All linear dimensions are in inches (millimeters).
  - B. This drawing is subject to change without notice.
  - $\triangle C$  Falls within JEDEC MS-001, except 18 and 20 pin minimum body length (Dim A).
  - $\triangle D$  The 20 pin end lead shoulder width is a vendor option, either half or full width.

# DW0020A



# PACKAGE OUTLINE

## SOIC - 2.65 mm max height

SOIC



4220724/A 05/2016

### NOTES:

1. All linear dimensions are in millimeters. Dimensions in parenthesis are for reference only. Dimensioning and tolerancing per ASME Y14.5M.
2. This drawing is subject to change without notice.
3. This dimension does not include mold flash, protrusions, or gate burrs. Mold flash, protrusions, or gate burrs shall not exceed 0.15 mm per side.
4. This dimension does not include interlead flash. Interlead flash shall not exceed 0.43 mm per side.
5. Reference JEDEC registration MS-013.

# EXAMPLE BOARD LAYOUT

DW0020A

SOIC - 2.65 mm max height

SOIC



LAND PATTERN EXAMPLE  
SCALE:6X



SOLDER MASK DETAILS

4220724/A 05/2016

NOTES: (continued)

- 6. Publication IPC-7351 may have alternate designs.
- 7. Solder mask tolerances between and around signal pads can vary based on board fabrication site.



# EXAMPLE STENCIL DESIGN

DW0020A

SOIC - 2.65 mm max height

SOIC



SOLDER PASTE EXAMPLE  
BASED ON 0.125 mm THICK STENCIL  
SCALE:6X

4220724/A 05/2016

NOTES: (continued)

8. Laser cutting apertures with trapezoidal walls and rounded corners may offer better paste release. IPC-7525 may have alternate design recommendations.
9. Board assembly site may have different recommendations for stencil design.

## IMPORTANT NOTICE AND DISCLAIMER

TI PROVIDES TECHNICAL AND RELIABILITY DATA (INCLUDING DATASHEETS), DESIGN RESOURCES (INCLUDING REFERENCE DESIGNS), APPLICATION OR OTHER DESIGN ADVICE, WEB TOOLS, SAFETY INFORMATION, AND OTHER RESOURCES "AS IS" AND WITH ALL FAULTS, AND DISCLAIMS ALL WARRANTIES, EXPRESS AND IMPLIED, INCLUDING WITHOUT LIMITATION ANY IMPLIED WARRANTIES OF MERCHANTABILITY, FITNESS FOR A PARTICULAR PURPOSE OR NON-INFRINGEMENT OF THIRD PARTY INTELLECTUAL PROPERTY RIGHTS.

These resources are intended for skilled developers designing with TI products. You are solely responsible for (1) selecting the appropriate TI products for your application, (2) designing, validating and testing your application, and (3) ensuring your application meets applicable standards, and any other safety, security, or other requirements. These resources are subject to change without notice. TI grants you permission to use these resources only for development of an application that uses the TI products described in the resource. Other reproduction and display of these resources is prohibited. No license is granted to any other TI intellectual property right or to any third party intellectual property right. TI disclaims responsibility for, and you will fully indemnify TI and its representatives against, any claims, damages, costs, losses, and liabilities arising out of your use of these resources.

TI's products are provided subject to TI's Terms of Sale ([www.ti.com/legal/termsofsale.html](http://www.ti.com/legal/termsofsale.html)) or other applicable terms available either on [ti.com](http://ti.com) or provided in conjunction with such TI products. TI's provision of these resources does not expand or otherwise alter TI's applicable warranties or warranty disclaimers for TI products.

Mailing Address: Texas Instruments, Post Office Box 655303, Dallas, Texas 75265  
Copyright © 2020, Texas Instruments Incorporated