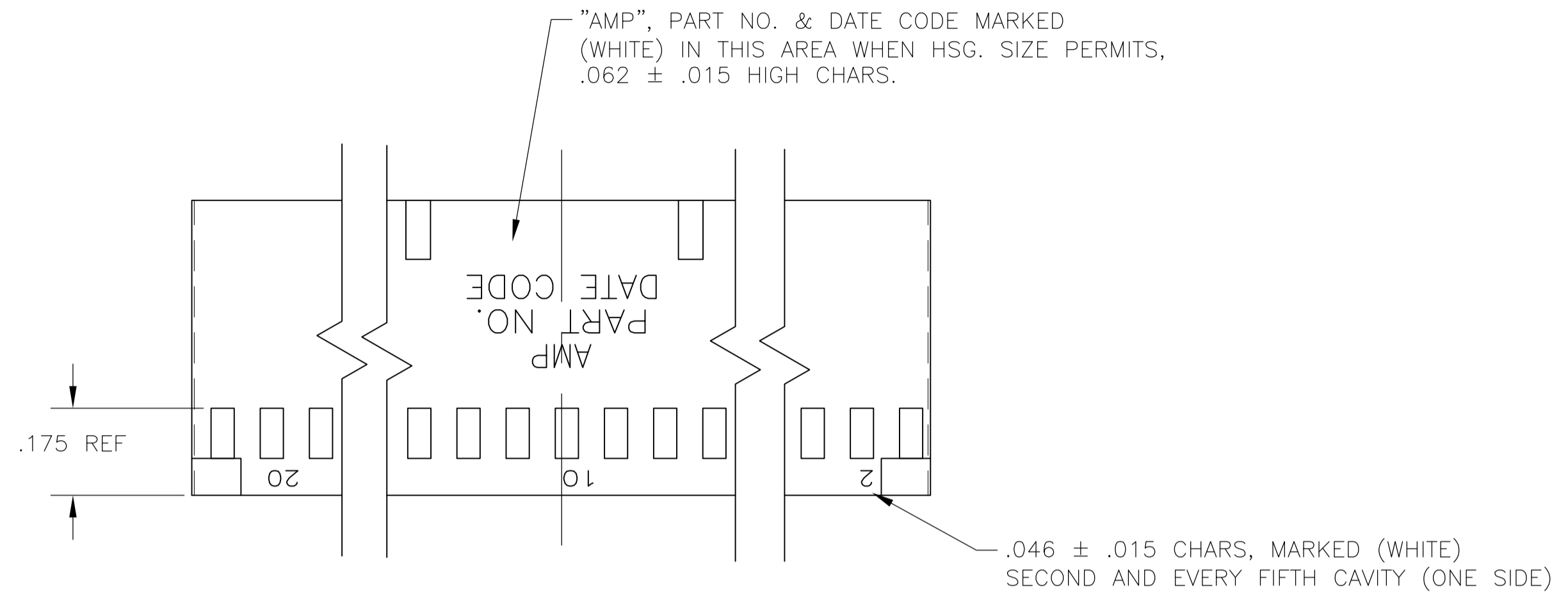
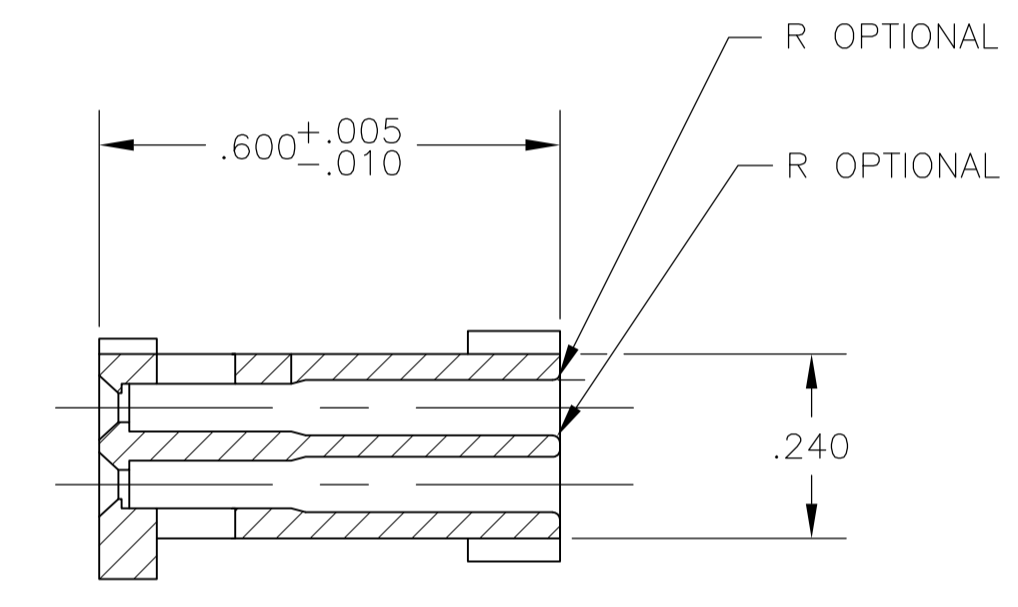
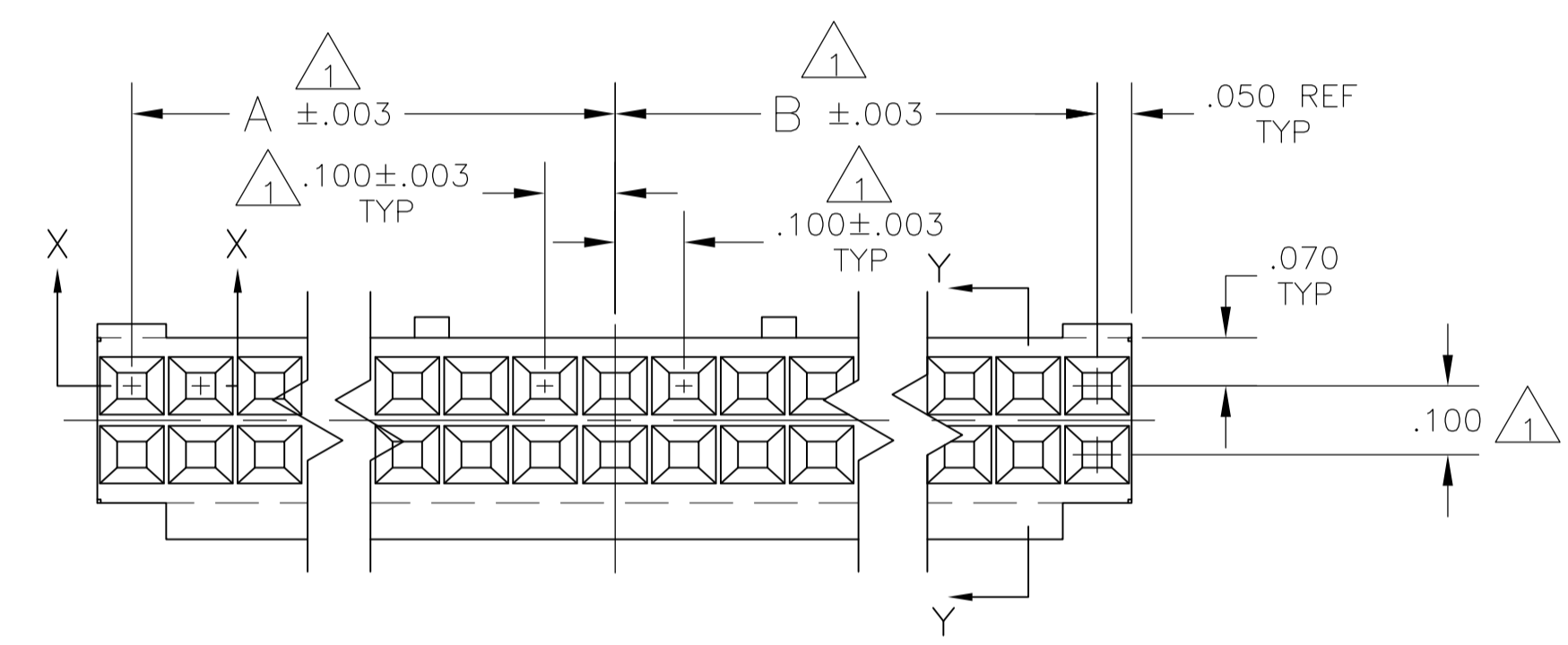


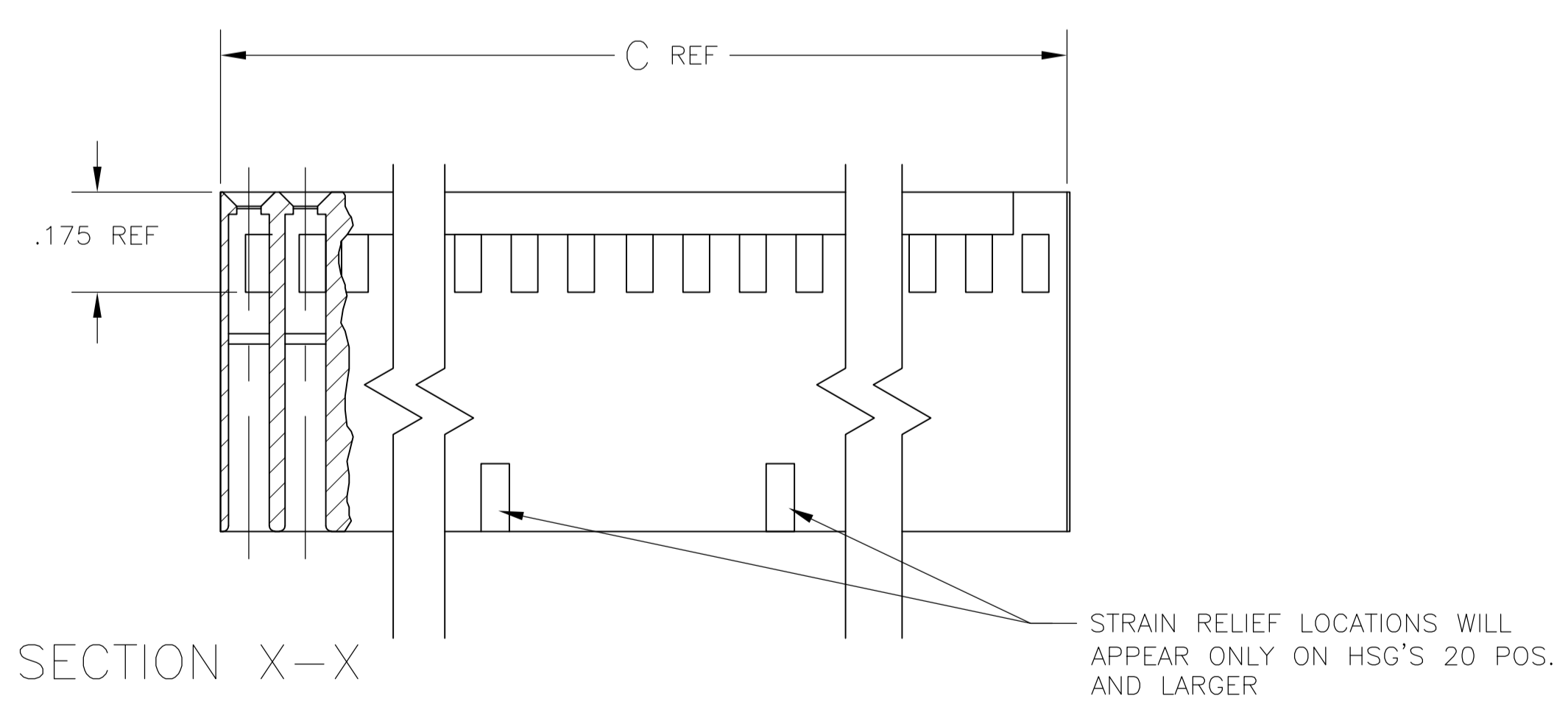
| LOC |                           | DIST    |      | REVISIONS |     |      |  |
|-----|---------------------------|---------|------|-----------|-----|------|--|
| AD  | 00                        | REV     | DATE | BY        | CHK | APPV |  |
| T3  | REVISED PER ECO-11-004587 | 11MAR11 | RK   | HMR       |     |      |  |



- 1 CAVITY LOCATION DIMENSIONS INCREASE IN INCREMENTS OF .100 TOLERANCES ARE NON-CUMULATIVE
- 2 USE EXTRACTION TOOL 91052-1 TO REMOVE RECEPTACLE CONTACTS.
- 3 THESE HOUSINGS ARE COMPATIBLE WITH ANY MOD II SHROUDED HEADER
- 4 HOUSING WILL ACCOMMODATE ALL MOD IV, IV.5 AND MOD V CONTACTS.
- 5 OBSOLETE PARTS: OBSOLETE CIS STREAMLINING PER D.RENAUD/D.SINISI



SECTION Y-Y



SECTION X-X

| C     | B     | A     | POS | PART NUMBER (UNMARKED) | NUMBER PART (MARKED) |
|-------|-------|-------|-----|------------------------|----------------------|
| 3.200 | 1.500 | 1.600 | 64  | 6-87977-2              | 6-87977-1            |
| 2.900 | 1.400 | 1.400 | 58  | 6-87977-0              | 5-87977-9            |
| 2.800 | 1.300 | 1.400 | 56  | 5-87977-8              | 5-87977-7            |
| 2.400 | 1.100 | 1.200 | 48  | 5-87977-6              | 5-87977-5            |
| 3.600 | 1.700 | 1.800 | 72  | 5-87977-4              | 2-87977-7            |
| 3.500 | 1.700 | 1.700 | 70  | 5-87977-3              | 2-87977-6            |
| 3.300 | 1.600 | 1.600 | 66  | 5-87977-2              | 2-87977-5            |
| 3.000 | 1.400 | 1.500 | 60  | 5-87977-1              | 2-87977-4            |
| 2.700 | 1.300 | 1.300 | 54  | 5-87977-0              | 2-87977-3            |
| 2.600 | 1.200 | 1.300 | 52  | 4-87977-9              | 2-87977-2            |
| 2.500 | 1.200 | 1.200 | 50  | 4-87977-8              | 2-87977-1            |
| 2.200 | 1.000 | 1.100 | 44  | 4-87977-7              | 2-87977-0            |
| 2.100 | 1.000 | 1.000 | 42  | 4-87977-6              | 1-87977-9            |
| 2.000 | .900  | 1.000 | 40  | 4-87977-5              | 1-87977-8            |
| 1.900 | .900  | .900  | 38  | 4-87977-4              | 1-87977-7            |
| 1.800 | .800  | .900  | 36  | 4-87977-3              | 1-87977-6            |
| 1.700 | .800  | .800  | 34  | 4-87977-2              | 1-87977-5            |
| 1.600 | .700  | .800  | 32  | 4-87977-1              | 1-87977-4            |
| 1.500 | .700  | .700  | 30  | 4-87977-0              | 1-87977-3            |
| 1.400 | .600  | .700  | 28  | 3-87977-9              | 1-87977-2            |
| 1.300 | .600  | .600  | 26  | 3-87977-8              | 1-87977-1            |
| 1.200 | .500  | .600  | 24  | 3-87977-7              | 1-87977-0            |
| 1.100 | .500  | .500  | 22  | 3-87977-6              | 87977-9              |
| 1.000 | .400  | .500  | 20  | 3-87977-5              | 87977-8              |
| .900  | .400  | .400  | 18  | 3-87977-4              | 87977-7              |
| .800  | .300  | .400  | 16  | 3-87977-3              | 87977-6              |
| .700  | .300  | .300  | 14  | 3-87977-2              | 87977-5              |
| .600  | .200  | .300  | 12  | 3-87977-1              | 87977-4              |
| .500  | .200  | .200  | 10  | 3-87977-0              | 87977-3              |
| .400  | .100  | .200  | 8   | 2-87977-9              | 87977-2              |
| .300  | .100  | .100  | 6   | 2-87977-8              | 87977-1              |

THIS DRAWING IS A CONTROLLED DOCUMENT.

BOB BOLES BG 18DEC89  
CIRK 05OCT93

STE TE Connectivity

CONNECTOR HSG., MOD IV, CRIMP SNAP-IN, .100 X .100 CL

0 PLC ± -  
1 PLC ± -  
2 PLC ± -  
3 PLC ± .005  
4 PLC ± -  
ANGLES ± -

MATERIAL: FLAME RETARDANT GLASS FILLED NYLON, COLOR-BLACK PER ASTM D4066

FINISH: -

WEIGHT: -

SIZE: A1

SCALE: 4:1

SHEET 1 OF 1

REV T3

# Mouser Electronics

Authorized Distributor

Click to View Pricing, Inventory, Delivery & Lifecycle Information:

[TE Connectivity:](#)

[3-87977-1](#)