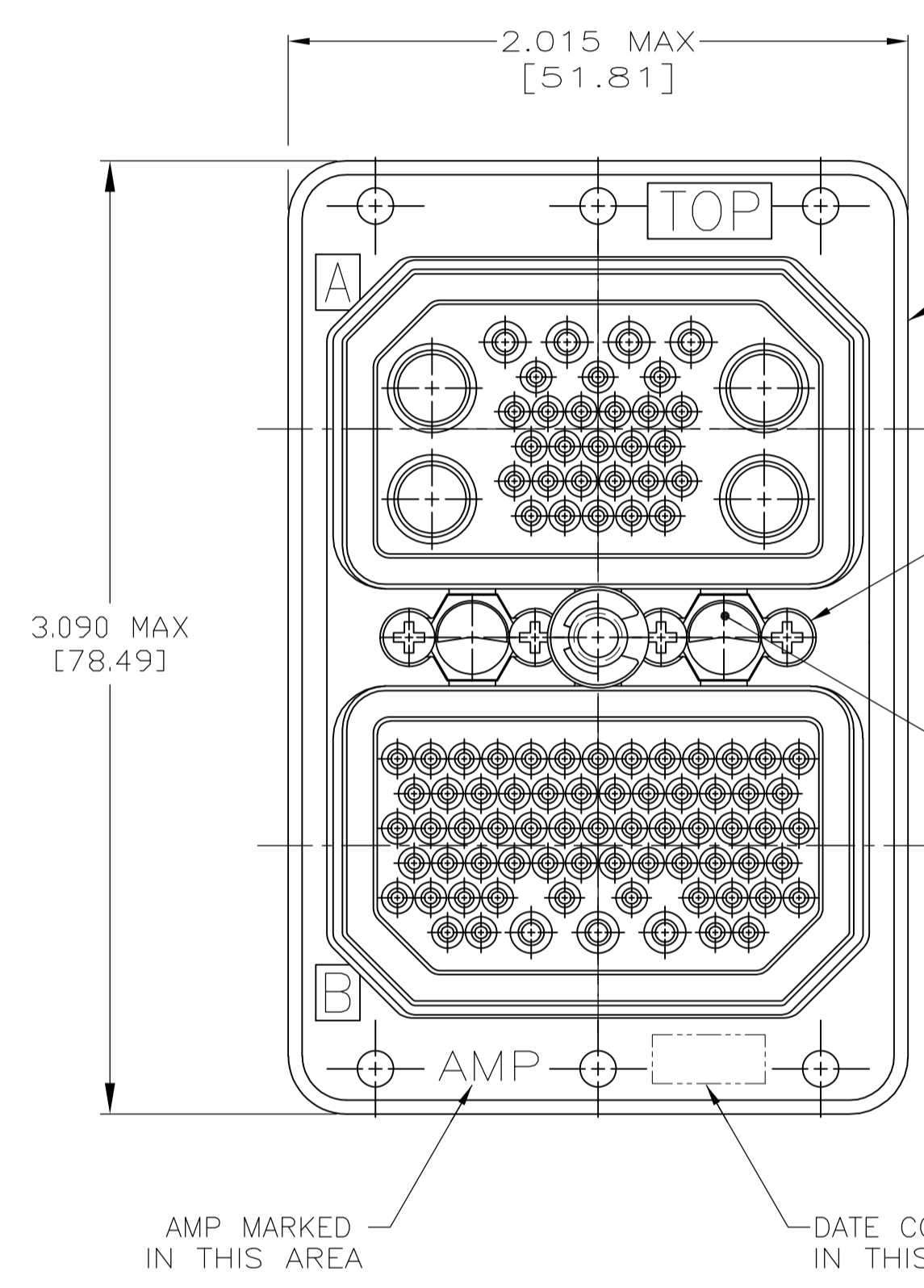
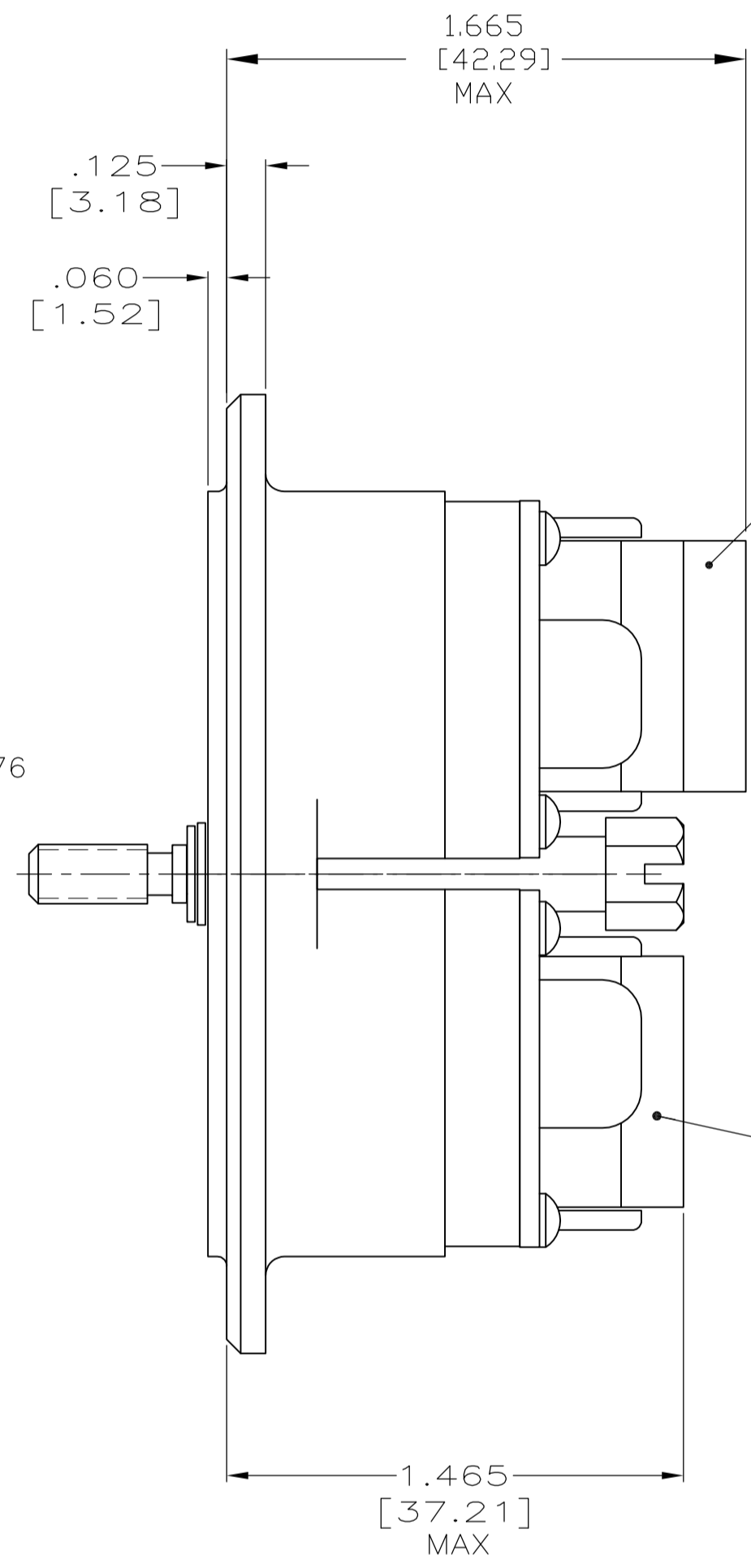


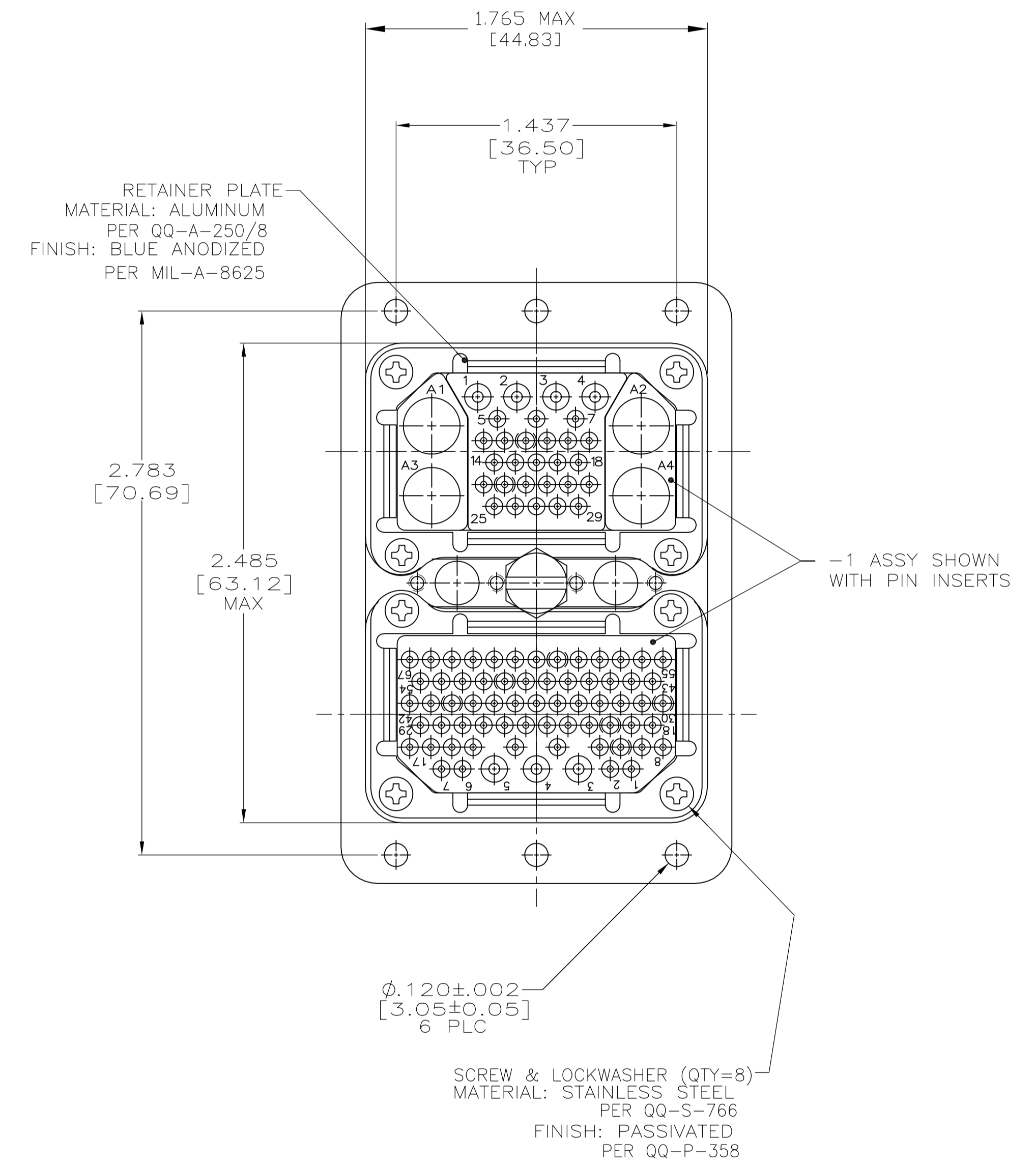
TE PART NUMBER  
MARKED IN THIS AREA



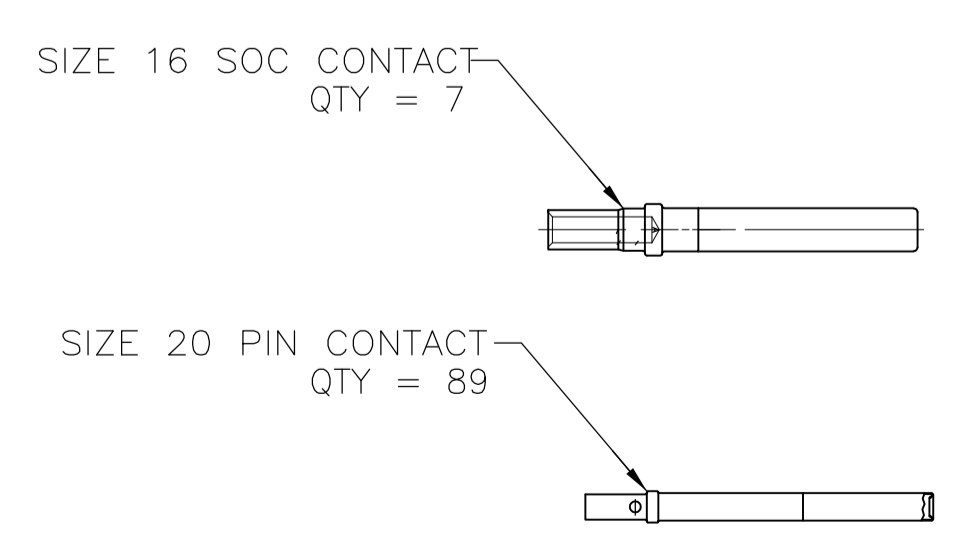
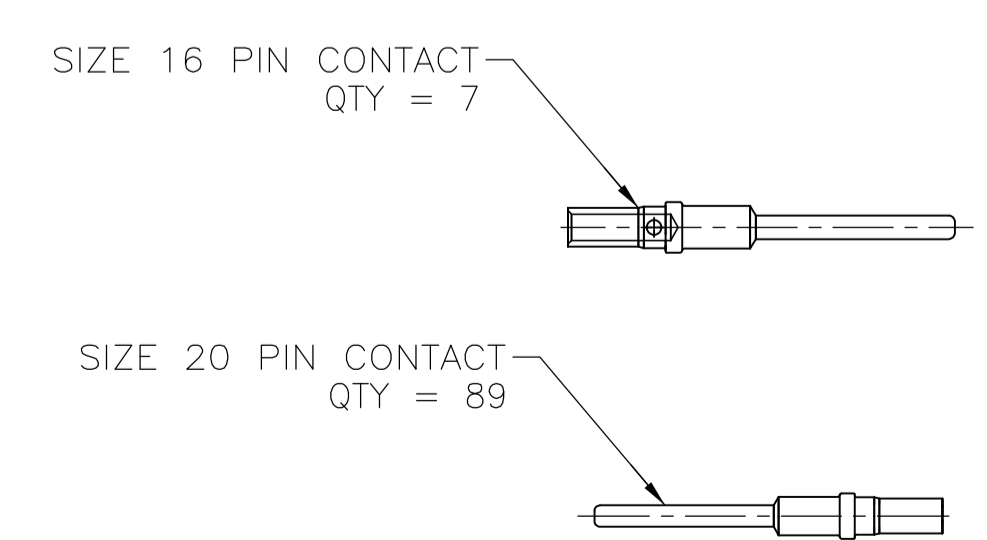
- RECEPTACLE SHELL  
MATERIAL: ALUMINUM PER QQ-A-591  
FINISH: CADMIUM PLATED PER QQ-P-416  
COLOR: YELLOW CHROMATE
- SCREW, 4 REQUIRED  
MATERIAL: STAINLESS STEEL PER QQ-S-776  
FINISH: PASSIVATED PER QQ-P-35B
- KEYING INSERT, 2 REQUIRED  
MATERIAL: ALUMINUM PER QQ-A-200  
FINISH: CADMIUM PLATED PER QQ-P-416  
YELLOW CHROMATE



- INSERT ASSY  
MATERIAL: EPOXY  
COLOR: BLACK
- INSERT ASSY  
MATERIAL: EPOXY  
COLOR: BLACK



- KEYING IS SET IN POSITION "01".
- CONTACTS ARE PACKAGED SEPARATELY AND SHIPPED WITH CONNECTOR.



89	-	7	-	RME2R33C4S67S-5101 (200)	1757994-2
-	89	-	7	RME2R33C4P67P-5101 (200)	1757994-1
QTY-SZ 20 PIN	QTY-SZ 20 PIN	QTY-SZ 16 SOC	QTY-SZ 16 PIN	DESCRIPTIVE NUMBER	PART NO

THIS DRAWING IS A CONTROLLED DOCUMENT.

DIMENSIONS: INCHES	TOLERANCES UNLESS OTHERWISE SPECIFIED:	0 PLC ± -	1 PLC ± -	2 PLC ± -	3 PLC ± .005 [0.13]	4 PLC ± -	ANGLES ± -
MATERIAL SEE CALLOUTS	FINISH SEE CALLOUTS	WEIGHT	SIZE	CAGE CODE	DRAWING NO	RESTRICTED TO	
			A1	00779	1757994		

CUSTOMER DRAWING SCALE 2:1 SHEET 1 OF 1 REV A

# Mouser Electronics

Authorized Distributor

Click to View Pricing, Inventory, Delivery & Lifecycle Information:

[TE Connectivity:](#)

[1757994-2](#)