

NOTES:

1. MATERIALS:

HOUSING: GLASS-FILLED LIQUID CRYSTAL POLYMER (LCP), UL94 V-0, COLOR: BLACK
 TAIL ALIGNER: GLASS-FILLED LIQUID CRYSTAL POLYMER (LCP),
 TERMINAL: PHOSPHOR BRONZE
 BRACKET: BRASS
 SHELL: STEEL
 INSERT: BRASS

2. FINISHES:

TERMINAL: 0.05-0.25 MICROMETERS GOLD FLASH IN CRITICAL AREA
 OVER 0.75 MICROMETERS MINIMUM PALLADIUM NICKEL IN
 CRITICAL AREA. 1.87 MICROMETERS MINIMUM TIN IN
 SOLDER TAIL AREA OVER A NICKEL UNDERPLATE.
 SHIELD: 3.8 MICROMETERS MINIMUM BRIGHT TIN OVER NICKEL.
 INSERT: 2.54 MICROMETERS MINIMUM NICKEL.

3. PART CONFORMS TO MOLEX PRODUCT SPECIFICATION PS-71425-9999.

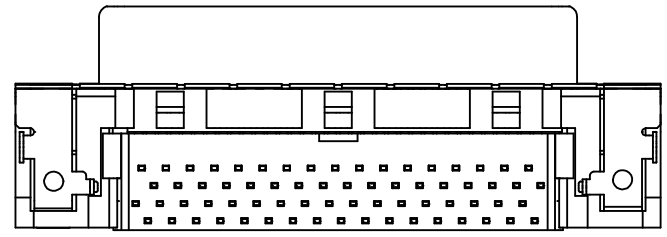
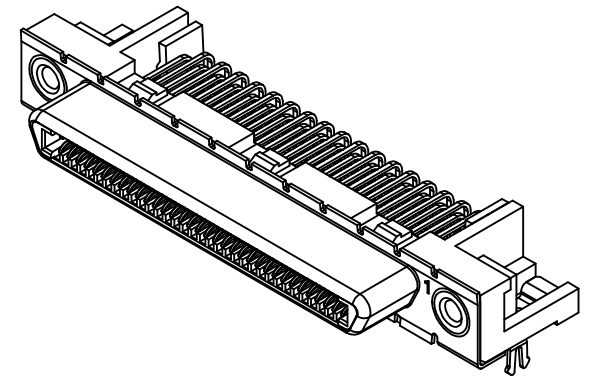
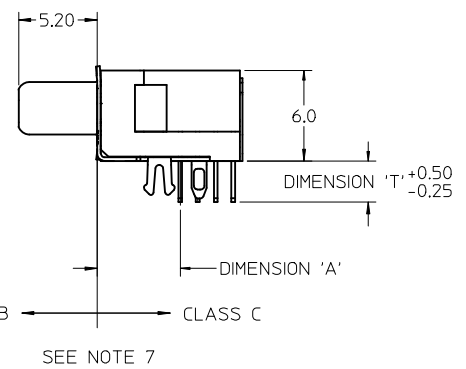
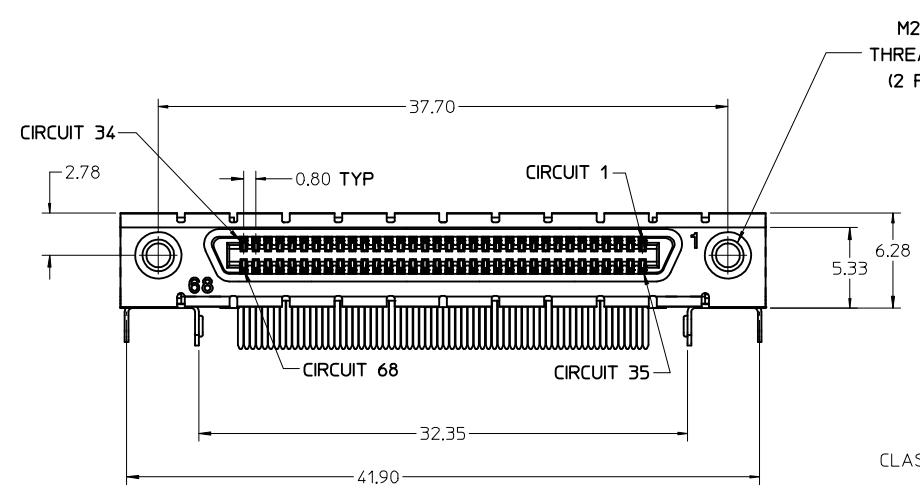
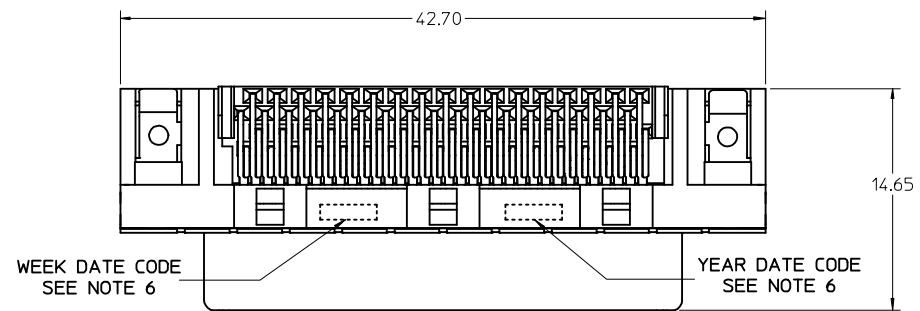
4. PACKAGED PER PK-71430-0101.

5. APPLICABLE STANDARDS: EIA-3652 AND SFF-8441.

6. DATE CODE: YR/WK PER EIA-476-A.

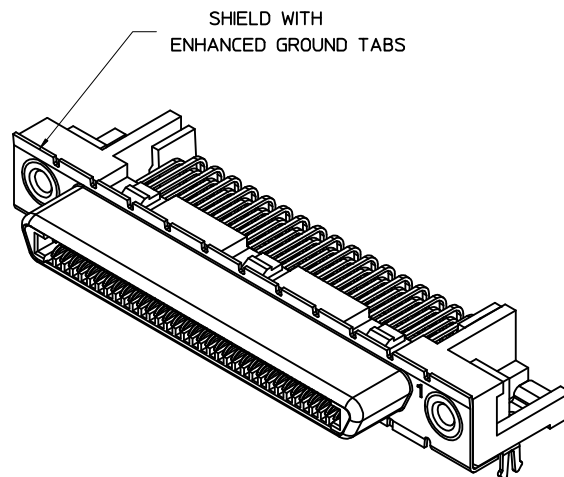
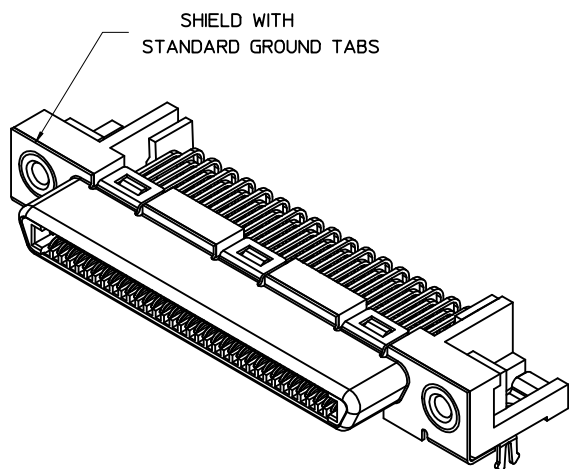
7. PRODUCT COMPLIES WITH COSMETIC SPECIFICATION PS-45499-002.
SEE SIDE VIEW FOR SURFACE CLASSIFICATIONS.

8. TORQUE TO INSTALL SCREWLOCKS INTO THREADED INSERTS:
0.34 Nm MAXIMUM.



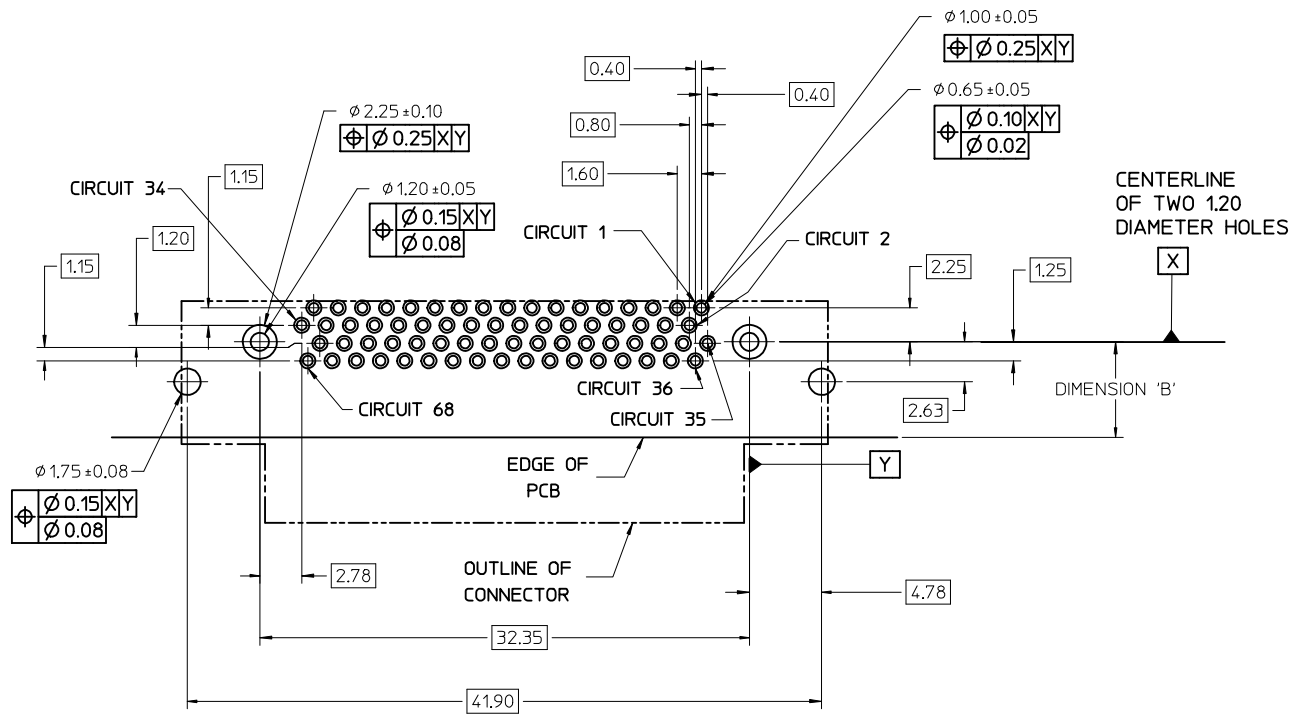
| FIX TAIL TOLERANCE EC NO: UCP2012-3896 DRW: BARKER 2012/05/29 CHKD: MWLF APPR: SMILLER 2012/08/31 | QUALITY SYMBOLS | GENERAL TOLERANCES (UNLESS SPECIFIED) | | DIMENSION STYLE MM ONLY | SCALE 4:1 | DESIGN UNITS METRIC | THIRD ANGLE PROJECTION | | | | | | | | | | | | | | | | | | | | | | | | | | | |
|----------------------------------------------------------------------------------------------------------------------|---------------------|----------------------------------------------------------------------------------------------------------------------------------------------------------------------------------------------------------------------------------------------------------------------------------------------------------------------------------------------------------------------------------------------------------------------------------|-------------------------------------------------------------------------------------------------------------------------------|-----------------------------------|---------------------|-------------------------------|------------------------|---------|----------|--------|---------|----------|--------|---------|---------|--------|---------|---------|--------|---------|----------------------------------------------------------------------------------------------------------------------------------------------------------------------------------------------------------------------------------------------------|------|----|------------|---------|------------|---------|------------|---------|---------------------------------------------------------------|--------------------------------------------|------------------------------------|-------------------------------------|----------------------------|
| | | <table border="1"> <thead> <tr> <th></th> <th>mm</th> <th>INCH</th> </tr> </thead> <tbody> <tr> <td>4 PLACES</td> <td>± 0.13</td> <td>± 0.005</td> </tr> <tr> <td>3 PLACES</td> <td>± 0.25</td> <td>± 0.010</td> </tr> <tr> <td>2 PLACES</td> <td>± 0.38</td> <td>± 0.015</td> </tr> <tr> <td>1 PLACE</td> <td>± 0.51</td> <td>± 0.020</td> </tr> <tr> <td>0 PLACE</td> <td>± 0.64</td> <td>± 0.025</td> </tr> </tbody> </table> | | mm | INCH | 4 PLACES | ± 0.13 | ± 0.005 | 3 PLACES | ± 0.25 | ± 0.010 | 2 PLACES | ± 0.38 | ± 0.015 | 1 PLACE | ± 0.51 | ± 0.020 | 0 PLACE | ± 0.64 | ± 0.025 | <table border="1"> <thead> <tr> <th>DATE</th> <th>BY</th> </tr> </thead> <tbody> <tr> <td>11/14/2002</td> <td>KSTILES</td> </tr> <tr> <td>11/15/2002</td> <td>KSTILES</td> </tr> <tr> <td>11/22/2002</td> <td>MBNAKIS</td> </tr> </tbody> </table> | DATE | BY | 11/14/2002 | KSTILES | 11/15/2002 | KSTILES | 11/22/2002 | MBNAKIS | DRAWN BY DATE CHECKED BY DATE APPROVED BY DATE | TITLE VHDCI RIGHT ANGLE ASSEMBLY | MATERIAL NO. SEE SHEET 2 | DOCUMENT NO. SD-71430-015 | SHEET NO. 1 OF 3 |
| | | mm | INCH | | | | | | | | | | | | | | | | | | | | | | | | | | | | | | | |
| | 4 PLACES | ± 0.13 | ± 0.005 | | | | | | | | | | | | | | | | | | | | | | | | | | | | | | | |
| 3 PLACES | ± 0.25 | ± 0.010 | | | | | | | | | | | | | | | | | | | | | | | | | | | | | | | | |
| 2 PLACES | ± 0.38 | ± 0.015 | | | | | | | | | | | | | | | | | | | | | | | | | | | | | | | | |
| 1 PLACE | ± 0.51 | ± 0.020 | | | | | | | | | | | | | | | | | | | | | | | | | | | | | | | | |
| 0 PLACE | ± 0.64 | ± 0.025 | | | | | | | | | | | | | | | | | | | | | | | | | | | | | | | | |
| DATE | BY | | | | | | | | | | | | | | | | | | | | | | | | | | | | | | | | | |
| 11/14/2002 | KSTILES | | | | | | | | | | | | | | | | | | | | | | | | | | | | | | | | | |
| 11/15/2002 | KSTILES | | | | | | | | | | | | | | | | | | | | | | | | | | | | | | | | | |
| 11/22/2002 | MBNAKIS | | | | | | | | | | | | | | | | | | | | | | | | | | | | | | | | | |
| DRAFT WHERE APPLICABLE MUST REMAIN WITHIN DIMENSIONS | ANGULAR ±1/2° | SIZE C | THIS DRAWING CONTAINS INFORMATION THAT IS PROPRIETARY TO MOLEX INCORPORATED AND SHOULD NOT BE USED WITHOUT WRITTEN PERMISSION | | | | | | | | | | | | | | | | | | | | | | | | | | | | | | | |
| REV: N | DESCRIPTION | | | | | | | | | | | | | | | | | | | | | | | | | | | | | | | | | |

| PCB THICKNESS | PART NUMBER | TAIL LENGTH *T* (SEE FIGURE FOR TOLERANCE) | ENHANCED GROUND TABS | SCREWLOCKS | TAIL LOC. *A* | HOLE LOCATION *B* |
|---------------|-------------|--------------------------------------------|----------------------|---------------|---------------|-------------------|
| 1.60 | 71430-0101 | 2.08 | NO | NONE | 5.5 | 6.50 MAXIMUM |
| 1.60 | 71430-0007 | 2.08 | NO | LOOSE IN BAGS | | |
| 1.60 | 71430-0005 | 2.08 | YES | NONE | | |
| 1.60 | 71430-0008 | 2.08 | YES | LOOSE IN BAGS | | |
| 2.36 | 71430-0268 | 2.71 | NO | NONE | | |
| 2.36 | 71430-0006 | 2.71 | NO | INSTALLED | | |
| 2.36 | 71430-0004 | 2.71 | YES | NONE | | |
| 2.36 | 71430-0009 | 2.71 | YES | INSTALLED | | |
| 2.36 | 71430-0016 | 2.71 | NO | LOOSE IN BAGS | | |
| 2.36 | 71430-0019 | 2.71 | YES | LOOSE IN BAGS | | |
| 2.36 | 71430-0012 | 2.71 | YES | NONE | 5.3 | 6.30 MAXIMUM |
| 1.60 | 71430-0013 | 2.08 | YES | NONE | | |



OPTIONAL SCREWLOCK
PART NUMBER 71433-0002

| | | | | | | | | | |
|---------------------------------------------------------------------------------------------------------|-----------------|---------------------------------------|---------------------------------------------------------|-----------------------------------|--------------------|-------------------------------------------------------------------------------------------------------------------------------|------------------------|------------------------|--|
| SEE SHEET 1 EC NO: UCP2012-3896 DRWN:BBARKER 2012/05/29 CHKD:MMOLFE APPR:SMILLER 2012/08/31 | QUALITY SYMBOLS | GENERAL TOLERANCES (UNLESS SPECIFIED) | | DIMENSION STYLE MM ONLY | | SCALE 4:1 | DESIGN UNITS METRIC | THIRD ANGLE PROJECTION | |
| | ▽=0 | mm | INCH | DRAWN BY KSTILES | DATE 11/14/2002 | TITLE VHDCI RIGHT ANGLE ASSEMBLY | | | |
| | ▽=0 | 4 PLACES ± --- | ± --- | CHECKED BY | DATE | | | | |
| | ▽=0 | 3 PLACES ± --- | ± --- | APPROVED BY MBAKIS | DATE 11/22/2002 | MATERIAL NO. SD-71430-015 | | | |
| ▽=0 | 2 PLACES ± 0.13 | ± --- | DRAFT WHERE APPLICABLE MUST REMAIN WITHIN DIMENSIONS | | DOCUMENT NO. | | | | |
| N | REV | ANGULAR ±1/2° | | SEE TABLE | | THIS DRAWING CONTAINS INFORMATION THAT IS PROPRIETARY TO MOLEX INCORPORATED AND SHOULD NOT BE USED WITHOUT WRITTEN PERMISSION | | | |



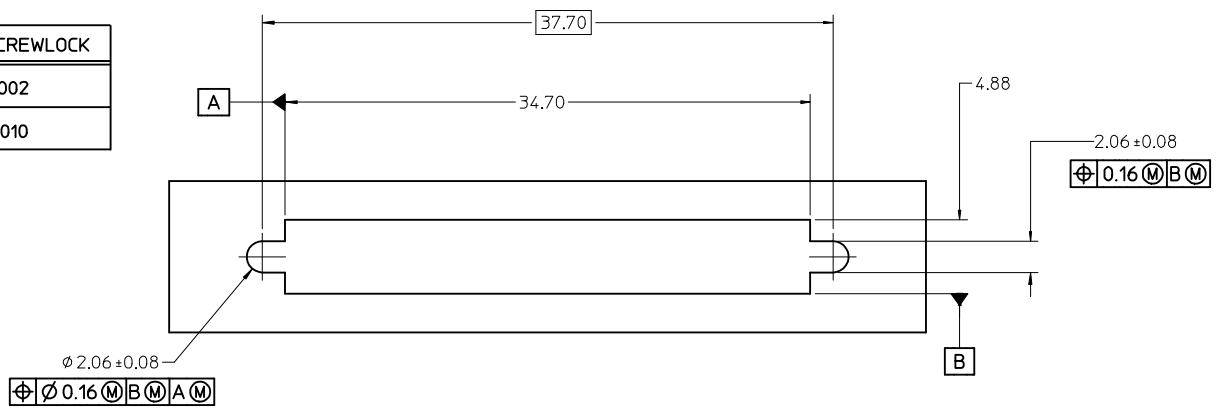
NOTES:

1. FOR FULL MATE WITH PLUG, PANEL THICKNESS SHOULD NOT EXCEED 1.0mm.

FUNCTIONAL MATING WITH MOLEX PLUG CAN STILL BE MAINTAINED WITH PANELS AS THICK AS 2.5mm (BUT PLUG AND RECEPTACLE WILL NOT BE FULLY MATED).

2. GUIDELINES FOR CHOOSING A MOLEX SCREWLOCK:

| PANEL THICKNESS | RECOMMENDED SCREWLOCK |
|-------------------------------|-----------------------|
| LESS THAN OR EQUAL TO 1.00 MM | 71433-0002 |
| 1.01 TO 2.15 MM | 71433-0010 |



| | | | | | | | |
|---------------------------------------------------------------------------------------------------------|-----------------------|-----------------|------------------------------------------------------|----------------------------------------|-------------------------------------------------------------------------------------------------------------------------------|------------------------|------------------------|
| SEE SHEET 1 EC NO: UCP2012-3896 DRWN:BBARKER 2012/05/29 CHKD:HWOLFE APPR:SMILLER 2012/08/31 | DESCRIPTION REV: N | QUALITY SYMBOLS | GENERAL TOLERANCES (UNLESS SPECIFIED) | DIMENSION STYLE MM ONLY | SCALE 4:1 | DESIGN UNITS METRIC | THIRD ANGLE PROJECTION |
| | | ▽=0 | mm INCH | DRAWN BY DATE KSTILES 11/14/2002 | TITLE VHCI RIGHT ANGLE ASSEMBLY | | |
| | | ▽=0 | 4 PLACES ± --- ± --- | CHECKED BY DATE KSTILES 11/15/2002 | molex DOCUMENT NO. SD-71430-015 SHEET NO. 3 OF 3 | | |
| | | ▽=0 | 3 PLACES ± --- ± --- | APPROVED BY DATE MBNAKIS 11/22/2002 | | | |
| ANGULAR ±1/2° | | | DRAFT WHERE APPLICABLE MUST REMAIN WITHIN DIMENSIONS | | THIS DRAWING CONTAINS INFORMATION THAT IS PROPRIETARY TO MOLEX INCORPORATED AND SHOULD NOT BE USED WITHOUT WRITTEN PERMISSION | | |

NOTES:

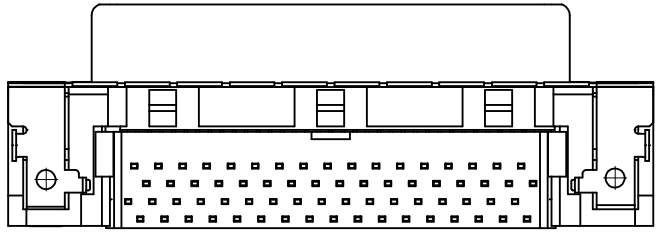
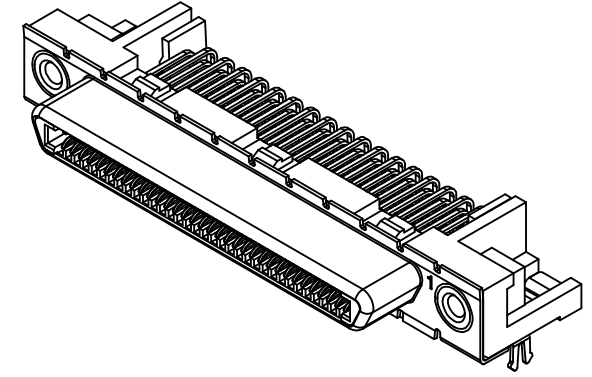
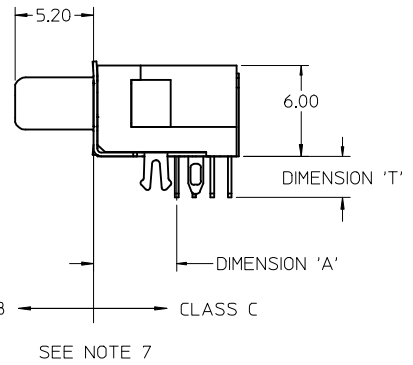
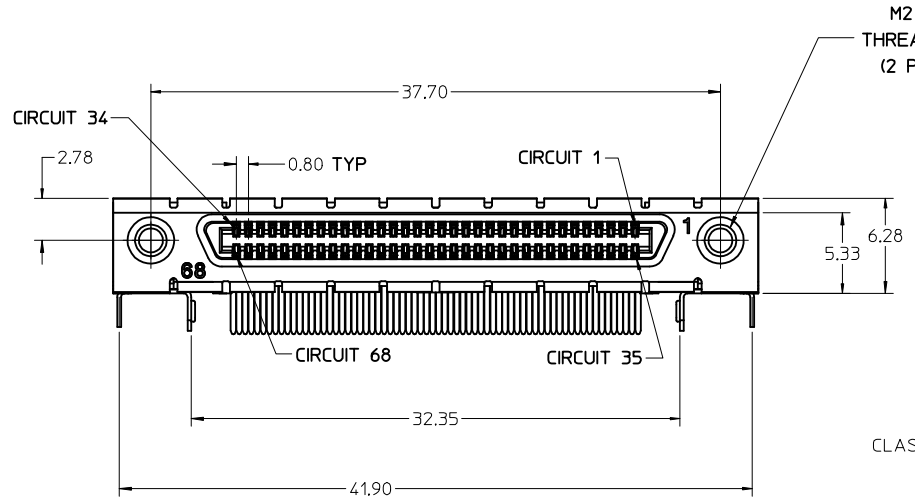
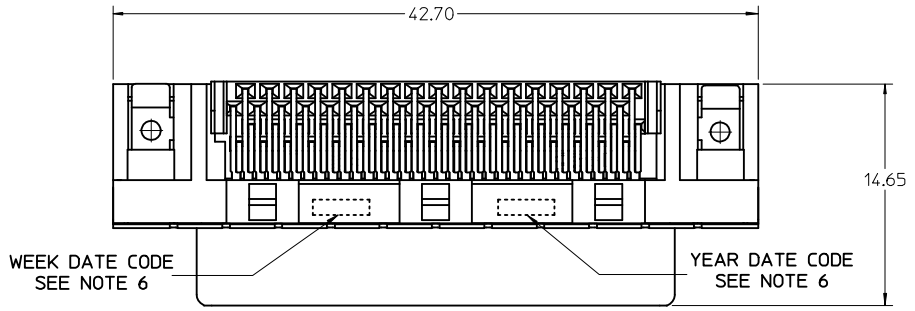
1. MATERIALS:

HOUSING: GLASS FILLED LIQUID CRYSTAL POLYMER (LCP),
UL94 V-0, COLOR:BLACK
TAIL ALIGNER: GLASS FILLED LIQUID CRYSTAL POLYMER (LCP),
TERMINAL: HIGH PERFORMANCE COPPER ALLOY
SHIELD: STEEL
THREADED INSERT: BRASS

2. FINISHES:

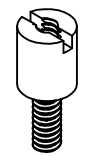
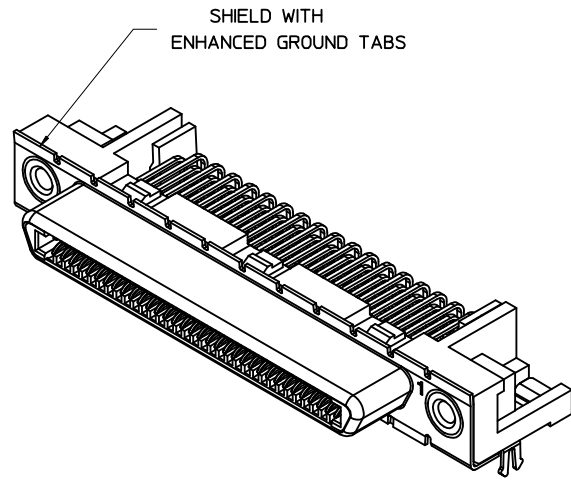
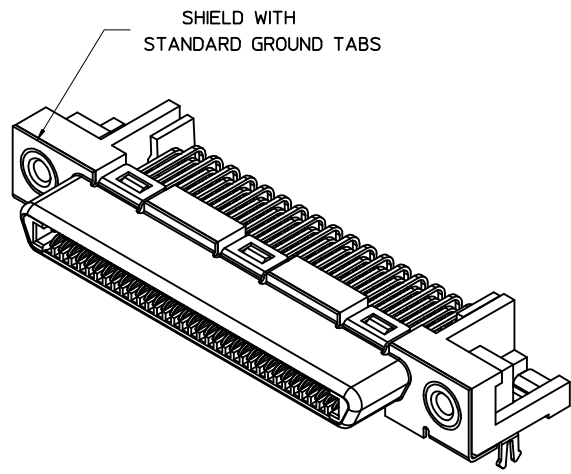
TERMINAL: 0.05-0.25 MICROMETERS GOLD FLASH IN CRITICAL AREA
OVER 0.75 MICROMETERS MINIMUM PALLADIUM NICKEL IN
CRITICAL AREA. 1.87 MICROMETERS MINIMUM MATTE TIN IN
SOLDER TAIL AREA. OVERALL NICKEL UNDERPLATE.
BRACKET: 5.0 MICROMETERS MINIMUM BRIGHT TIN OVER A COPPER UNDERPLATE.
SHIELD: 3.8 MICROMETERS MINIMUM BRIGHT TIN OVER 1.3 MICROMETERS
MINIMUM NICKEL OVER COPPER FLASH (OPTIONAL).
THREADED INSERT: 2.54 MICROMETERS MINIMUM NICKEL.

3. PART CONFORMS TO MOLEX PRODUCT SPECIFICATION PS-71425-9999.
4. PRODUCT IS PACKAGED PER PK-71430-0101.
5. APPLICABLE STANDARDS: EIA-3652 AND SFF-8441.
6. DATE CODE: YR/WK PER EIA-476-A.
7. PRODUCT COMPLIES WITH COSMETIC SPECIFICATION PS-45499-002.
SEE SIDE VIEW FOR SURFACE CLASSIFICATIONS.
8. TORQUE TO INSTALL SCREWLOCKS INTO THREADED INSERTS:
0.34 Nm MAXIMUM.



| | | | | | | | |
|-----------------------------------------------------------------------------------------------------------------------------|-------------|-------------------|------------------------------------------------------|-------------------------------------------------------------------------------------------------------------------------------|----------------------------|--------------|------------------------|
| ADD PART 71430-3020 EC NO: UCP2015-5280 DRWN:TIBARRA 2015/06/12 CHKD:BBARKER 2015/06/30 APPR:SMILLER 2015/07/20 | DESCRIPTION | QUALITY SYMBOLS | GENERAL TOLERANCES (UNLESS SPECIFIED) | DIMENSION STYLE | SCALE | DESIGN UNITS | THIRD ANGLE PROJECTION |
| | | ▽=0 ▽=0 ▽=0 | mm INCH | MM ONLY | 4:1 | METRIC | |
| | | | 4 PLACES ± --- ± --- | DRAWN BY DATE | VHDCl RIGHT ANGLE ASSEMBLY | | |
| | | | 3 PLACES ± --- ± --- | BBARKER 2011/02/17 | | | |
| | | | 2 PLACES ± 0.13 ± --- | CHECKED BY DATE | molex | | |
| | | | 1 PLACE ± 0.25 ± --- | BSMART 2011/02/17 | | | |
| | | | 0 PLACE ± ± | APPROVED BY DATE | SD-71430-3000 | | |
| | | | | SMILLER 2011/02/25 | | | |
| | | | ANGULAR ±1/2° | MATERIAL NO. | SHEET NO. 1 OF 3 | | |
| | | | DRAFT WHERE APPLICABLE MUST REMAIN WITHIN DIMENSIONS | SEE TABLE | | | |
| | | | | THIS DRAWING CONTAINS INFORMATION THAT IS PROPRIETARY TO MOLEX INCORPORATED AND SHOULD NOT BE USED WITHOUT WRITTEN PERMISSION | | | |

| PCB THICKNESS | PART NUMBER | TAIL LENGTH "T" +0.50/-0.25 | ENHANCED GROUND TABS | SCREWLOCKS (SEE GUIDELINE FOR CHOOSING A SCREWLOCK ON SHEET 3) | TAIL LOCATION "A" | PCB HOLE LOCATION "B" |
|---------------|-------------|-----------------------------------|-------------------------|----------------------------------------------------------------------|-------------------------|-----------------------------|
| 1.60 | | 2.08 | NO | NONE | 5.50 | 6.50 MAXIMUM |
| 1.60 | | 2.08 | NO | 71433-2002 LOOSE IN BAGS | | |
| 1.60 | | 2.08 | YES | NONE | | |
| 1.60 | | 2.08 | YES | 71433-2002 LOOSE IN BAGS | | |
| 2.36 | | 2.71 | NO | NONE | | |
| 2.36 | | 2.71 | NO | 71433-2002 INSTALLED | | |
| 2.36 | | 2.71 | YES | NONE | | |
| 2.36 | | 2.71 | YES | 71433-2002 INSTALLED | | |
| 2.36 | | 2.71 | NO | 71433-2002 LOOSE IN BAGS | | |
| 2.36 | 71430-3019 | 2.71 | YES | 71433-2002 LOOSE IN BAGS | | |
| 2.79 | 71430-3020 | 3.62 | YES | 71433-2002 LOOSE IN BAGS | 5.30 | 6.30 MAXIMUM |
| 2.36 | | 2.71 | YES | NONE | | |
| 1.60 | | 2.08 | YES | NONE | | |

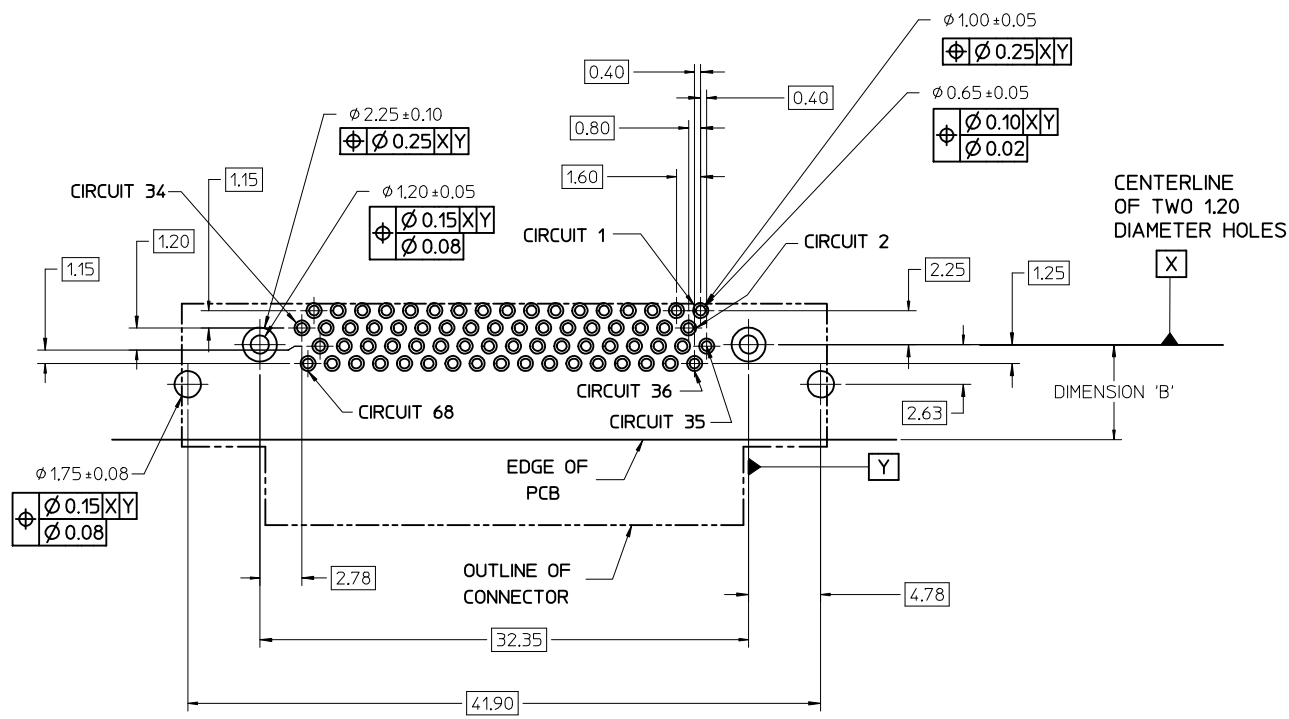


OPTIONAL SCREWLOCK
PART NUMBER 71433-2002 SHOWN
(SEE GUIDELINE FOR CHOOSING
A SCREWLOCK ON SHEET 3)

| | | | | | | | | | | |
|----------------------------------------------------------------------------------------------------------------------------|---------------------|---------------------------------------|-------|-----------------------------------|------|------------------------|------------------------|-----------------------------------|--|--|
| SEE SHEET 1 EC NO: UCP2015-5280 DRWNT:IBARRA 2015/06/12 CHKD:BBARKER 2015/06/30 APPR:SMILLER 2015/07/20 | QUALITY SYMBOLS | GENERAL TOLERANCES (UNLESS SPECIFIED) | | DIMENSION STYLE MM ONLY | | SCALE 4:1 | DESIGN UNITS METRIC | THIRD ANGLE PROJECTION | | |
| | | 4 PLACES ± --- | ± --- | mm | INCH | DRAWN BY BBARKER | DATE 2011/02/17 | VHDCI RIGHT ANGLE ASSEMBLY | | |
| | | 3 PLACES ± --- | ± --- | | | CHECKED BY BSMART | DATE 2011/02/17 | | | |
| | | 2 PLACES ± 0.13 | ± --- | | | APPROVED BY SMILLER | DATE 2011/02/25 | | | |
| | | 1 PLACE ± 0.25 | ± --- | | | MATERIAL NO. | | | | |
| 0 PLACE ± | ± | | | SEE TABLE | | SD-71430-3000 | 2 OF 3 | | | |

ANGULAR ±1/2°
DRAFT WHERE APPLICABLE MUST REMAIN WITHIN DIMENSIONS

SIZE C THIS DRAWING CONTAINS INFORMATION THAT IS PROPRIETARY TO MOLEX INCORPORATED AND SHOULD NOT BE USED WITHOUT WRITTEN PERMISSION



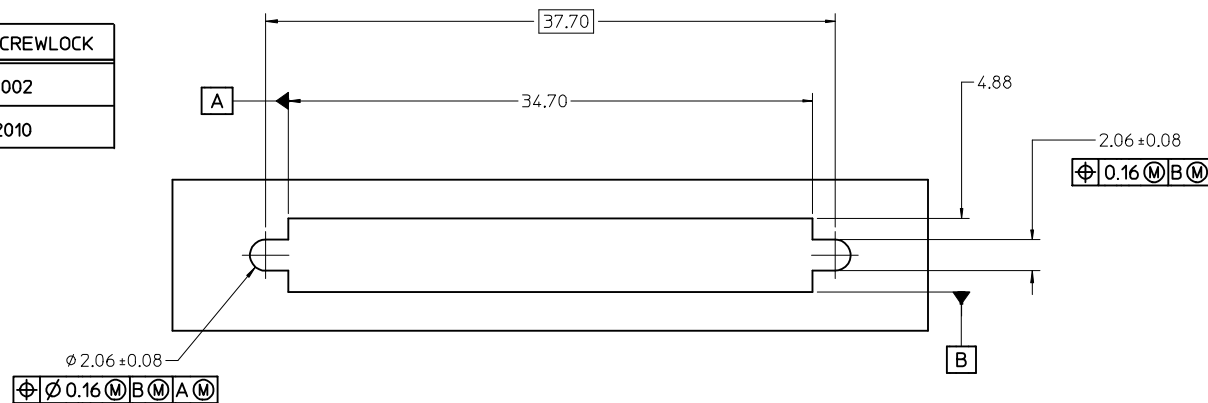
NOTES:

1. FOR FULL MATE WITH PLUG, PANEL THICKNESS SHOULD NOT EXCEED 1.0mm.

FUNCTIONAL MATING WITH MOLEX PLUG CAN STILL BE MAINTAINED WITH PANELS AS THICK AS 2.5mm (BUT PLUG AND RECEPTACLE WILL NOT BE FULLY MATED).

2. GUIDELINE FOR CHOOSING A MOLEX SCREWLOCK:

| PANEL THICKNESS | RECOMMENDED SCREWLOCK |
|-------------------------------|-----------------------|
| LESS THAN OR EQUAL TO 1.00 MM | 71433-2002 |
| 1.01 TO 2.15 MM | 71433-2010 |



| | | | | | | |
|----------------------------------------------------------------------------------------------------------------------------------------------|----------------------|---------------------------------------|-------------------------------------------------------------------------------------------------------------------------------|---------------------|---------------------------------------------------------------------------------------------------------|------------------------|
| SEE SHEET 1 EC NO: UCP2015-5280 DRWN: TIBARRA 2015/06/12 CHKD: BBARKER 2015/06/30 APPR: SMILLER 2015/07/20 DESCRIPTION | QUALITY SYMBOLS | GENERAL TOLERANCES (UNLESS SPECIFIED) | DIMENSION STYLE MM ONLY | SCALE 4:1 | DESIGN UNITS METRIC | THIRD ANGLE PROJECTION |
| | ▽=0 | 4 PLACES ± --- ± --- | DRAWN BY BBARKER | DATE 2011/02/17 | VHDCI RIGHT ANGLE ASSEMBLY molex DOCUMENT NO. SD-71430-3000 SHEET NO. 3 OF 3 | |
| | ▽=0 | 3 PLACES ± --- ± --- | CHECKED BY BSMART | DATE 2011/02/17 | | |
| | ▽=0 | 2 PLACES ± 0.13 ± --- | APPROVED BY SMILLER | DATE 2011/02/25 | | |
| | 1 PLACE ± 0.25 ± --- | MATERIAL NO. | | | | |
| | 0 PLACE ± ± | ANGULAR ±1/2° | SEE TABLE | | | |
| DRAFT WHERE APPLICABLE MUST REMAIN WITHIN DIMENSIONS | | | THIS DRAWING CONTAINS INFORMATION THAT IS PROPRIETARY TO MOLEX INCORPORATED AND SHOULD NOT BE USED WITHOUT WRITTEN PERMISSION | | | |