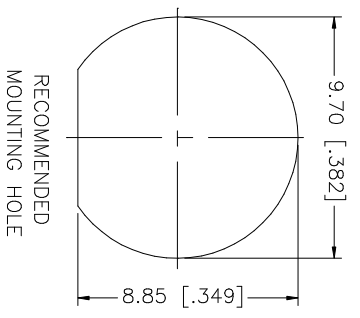
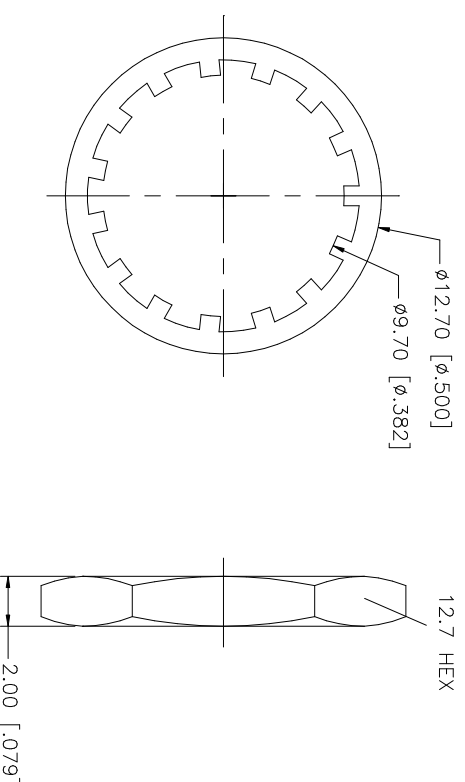
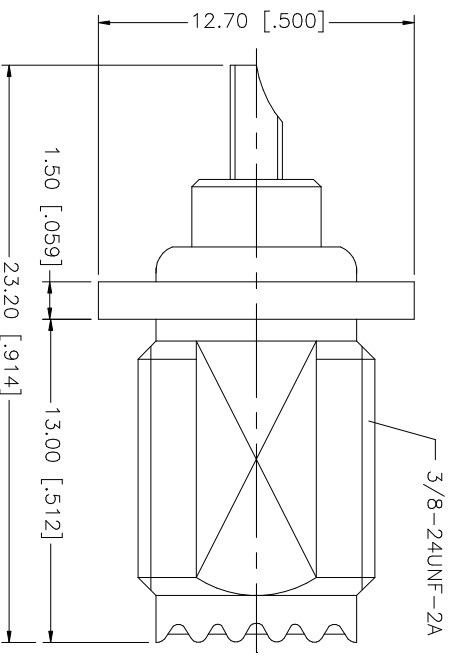


REV.	DATE	DESCRIPTION
NC	01/16/03	INITIAL RELEASE



QTY	FINISH	MATERIAL	DESCRIPTION
1	NICKEL	BRASS	HEX NUT
1	NICKEL	BRASS	LOCK WASHER
1	GOLD	PHOS. BRONZE	CONTACT PIN
1	NATURAL	TEFLON	INSULATOR
1	NICKEL	BRASS	HOUSING/BODY

UNLESS OTHERWISE SPECIFIED DIMENSIONS ARE IN MILLIMETERS. DIMENSIONS IN [] ARE IN INCHES AND FOR CUSTOMER REFERENCE ONLY. TOLERANCES FOR MILLIMETERS ARE: 0.5 - 8mm ± 0.20mm 8 - 30mm ± 0.40mm 30 - 120mm ± 0.50mm	UNLESS OTHERWISE SPECIFIED DIMENSIONS ARE IN INCHES AND FOR CUSTOMER REFERENCE ONLY. TOLERANCES FOR INCHES ARE: .020 - .315 = ± 0.007" .315 - 1.180 = ± 0.015" 1.180 - 4.724 = ± 0.020"	DO NOT SCALE DRAWING
APPROVALS	DATE	
DRAWN G.R.S.	01/16/03	
CHECKED		
ISSUED		
SHEET 1 OF 1		
<p style="text-align: center;">Amphenol Connex</p> <p style="text-align: center;">MINI-UHF BULKHEAD RECEPT. JACK</p>		
CAD FILE C:/182/182114.DWG	DWG. NO. 182114.DWG	REV. NC
		SIZE A
		SCALE NA

Mouser Electronics

Authorized Distributor

Click to View Pricing, Inventory, Delivery & Lifecycle Information:

[Amphenol:](#)

[182114](#)