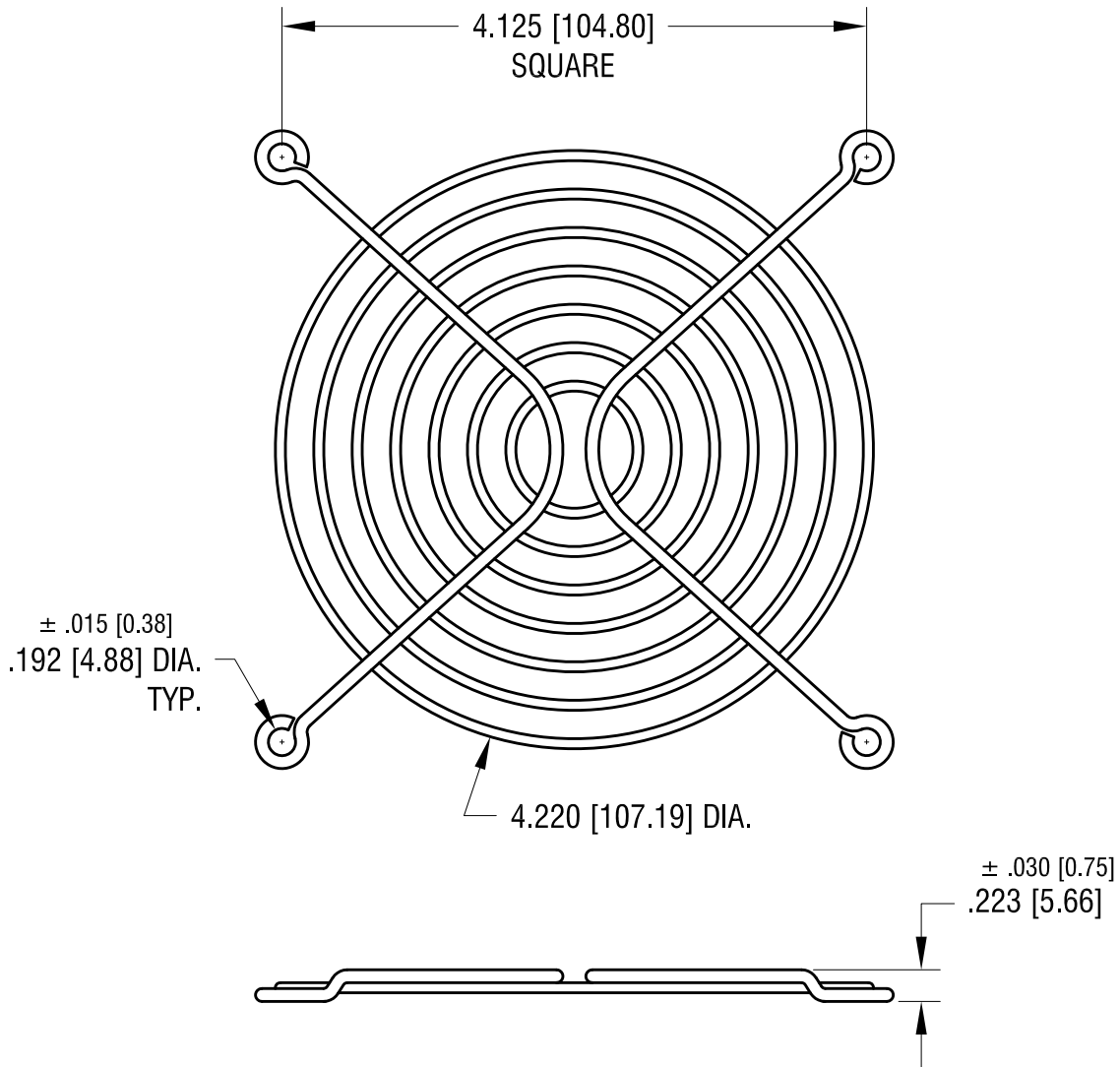


THIS DOCUMENT IS THE PROPERTY OF  
KEYSTONE ELECTRONICS CORP. AND  
SHALL NOT BE REPRODUCED, DISTRIBUTED  
OR USED AS A BASIS FOR MANUFACTURE  
WITHOUT PRIOR WRITTEN PERMISSION  
FROM KEYSTONE ELECTRONICS CORP.



NOTES:

- 1. RINGS: .071 [1.80] DIA.  
RIBS: .091 [2.31] DIA.
- 2. FINISH - NICKEL CHROME PLATE

<b>KEYSTONE ELECTRONICS CORP.</b>			
www.keyelco.com • ASTORIA, N.Y. 11105-2017 • Tel (718) 956-8900			
PART NAME		FAN/FINGER GUARD (120MM)	
MATERIAL		STEEL	
FINISH		DRN BY	DATE
AS NOTED		BOONE	3.6.06
		APP'D	SCALE
		LN	.75X
TOLERANCES	INCH	[MM]	CODE
DECIMAL	± .020	[± 0.50 ]	C
ANGULAR	± 1°		DWG NO.
UNLESS OTHERWISE SPECIFIED			<b>8452</b>

DATE	DESCRIPTION	REV.

# Mouser Electronics

Authorized Distributor

Click to View Pricing, Inventory, Delivery & Lifecycle Information:

[Keystone Electronics:](#)

[8452](#)