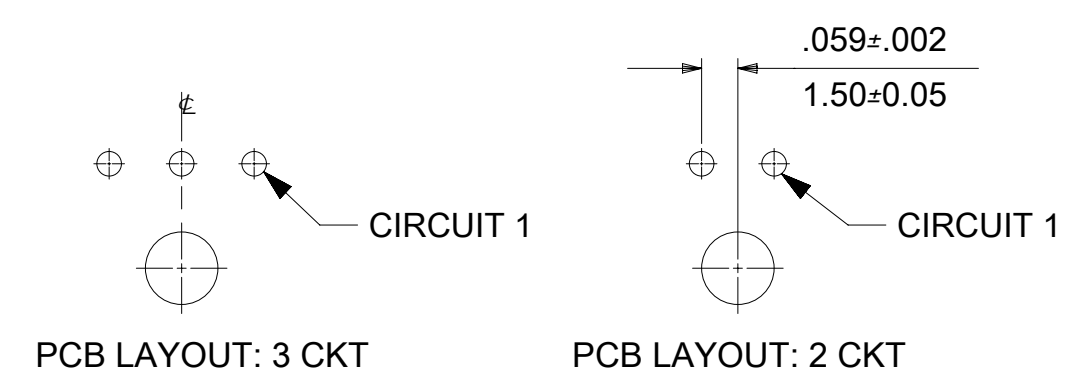
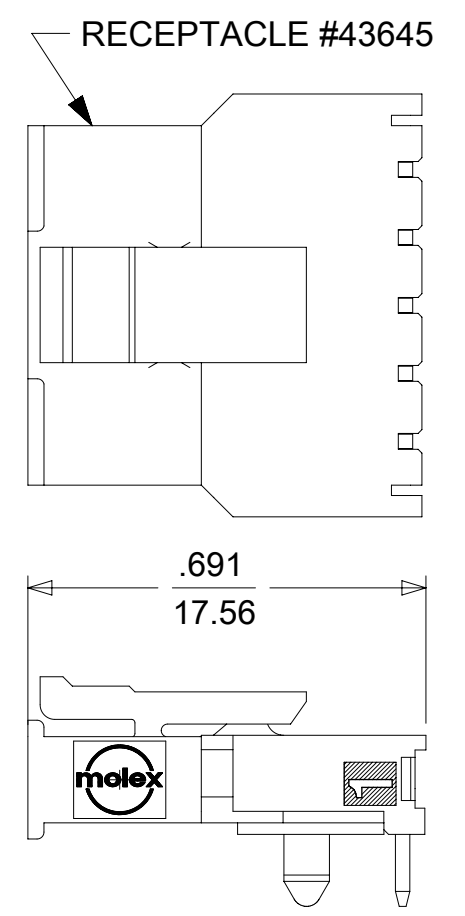
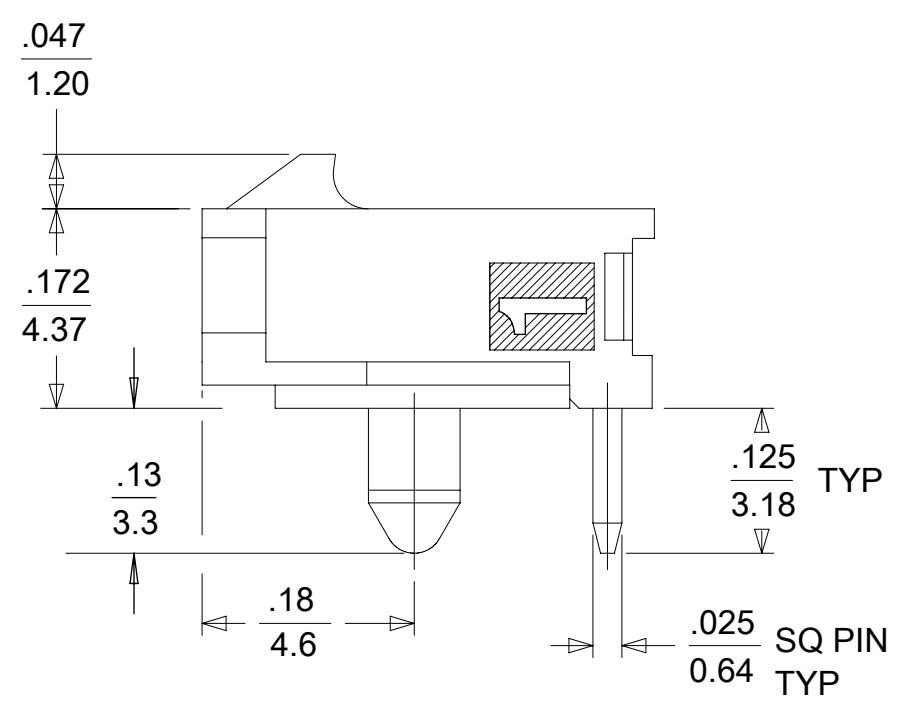
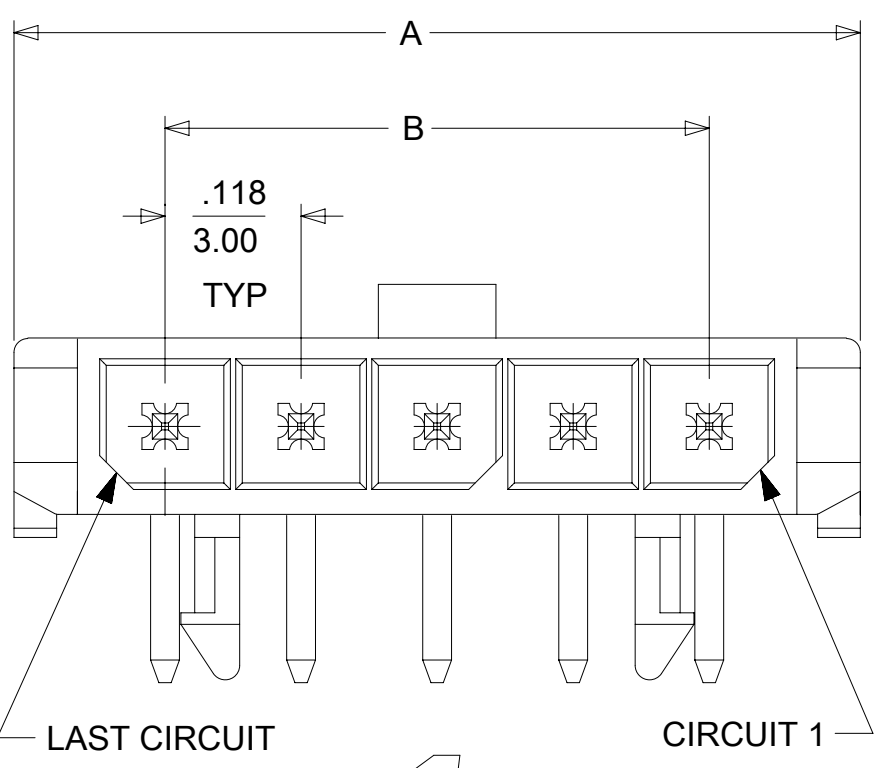


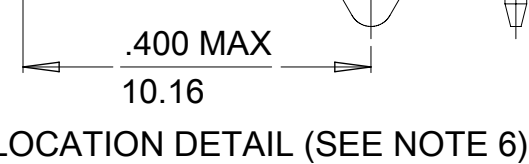
PCB LAYOUT: COMPONENT SIDE  
RECOMMENDED PCB THICKNESS: .062/1.57  
4-12 CIRCUIT HEADERS



CKTS	A	B	C
2	.380 / 9.65	.118 / 3.00	N/A
3	.498 / 12.65	.236 / 6.00	N/A
4	.616 / 15.65	.354 / 9.00	.185 / 4.70
5	.734 / 18.64	.472 / 12.00	.303 / 7.70
6	.852 / 21.64	.591 / 15.00	.421 / 10.70
7	.970 / 24.64	.709 / 18.00	.539 / 13.70
8	1.088 / 27.64	.827 / 21.00	.657 / 16.70
9	12.06 / 30.63	.945 / 24.00	.776 / 19.70
10	1.325 / 33.66	1.063 / 27.00	.894 / 22.70
11	1.443 / 36.65	1.181 / 30.00	1.012 / 25.70
12	1.561 / 39.65	1.299 / 33.00	1.130 / 28.70



MATED MICRO FIT CONNECTOR



LOCATION DETAIL (SEE NOTE 6)

- NOTES:
- HOUSING MATERIAL: LIQUID CRYSTAL POLYMER, GLASS FILLED. UL94V-0, COLOR - BLACK  
TERMINAL MATERIAL: BRASS ALLOY
  - FINISH:  
A = .000060/(0.00152) MIN. REFLOWED MATTE TIN OVER  
.000050/(0.00127) MIN. NICKEL  
(FINISH IS BRIGHT IN APPEARANCE, THICKNESS AS APPLIED PRIOR TO REFLOW)  
  
B = .000015/(0.00038) MIN. SELECT GOLD IN CONTACT AREA  
.000100/(0.00254) MIN. SELECT MATTE TIN ON SOLDER TAILS BOTH OVER  
.000050/(0.00127) NICKEL OVERALL  
  
C = .000030/(0.00076) MIN. SELECT GOLD IN CONTACT AREA  
.000100/(0.00254) MIN. SELECT MATTE TIN ON SOLDER TAILS BOTH OVER  
.000050/(0.00127) NICKEL OVERALL  
  
D = .000100/(0.00254) MIN. MATTE TIN OVER  
.000050/(0.00127) MIN. NICKEL
  - PRODUCT SPECIFICATION: PS-43650
  - TRAY PACKAGED : SEE MOLEX DRAWING PK-70873-0321
  - MATES WITH MICRO FIT (3.0) RECEPTACLE SERIES 43645
  - TO AVOID INTERFERENCE BETWEEN RECEPTACLE AND PCB, HEADER MUST BE PLACED WITHIN .400/(10.16) MAX. FROM EDGE OF PCB, AS SHOWN IN LOCATION DETAIL.
  - PARTS CONFORM TO CLASS 'B' REQUIREMENTS OF COSMETIC SPECIFICATION PS-45499-002
  - TEXT ON PART IS FOR REFERENCE ONLY. TEXT AND TEXT LOCATION MAY VARY DEPENDING ON PART NUMBER AND/OR TOOL.

CKTS	FINISH A		VOID CKT #	FINISH B		VOID CKT #	FINISH C		VOID CKT #	FINISH D	
	MATERIAL NUMBER			MATERIAL NUMBER			MATERIAL NUMBER			MATERIAL NUMBER	
02	43650-0200		N/A	43650-0201		N/A	43650-0202		N/A	43650-0237	
03	43650-0300		N/A	43650-0301		N/A	43650-0302		N/A		
04	43650-0400		N/A	43650-0401		N/A	43650-0402		N/A		
05	43650-0500		N/A	43650-0501		N/A	43650-0502		N/A		
06	43650-0600		N/A	43650-0601		N/A	43650-0602		N/A		
07	43650-0700		N/A	43650-0701		N/A	43650-0702		N/A		
08	43650-0800		N/A	43650-0801		N/A	43650-0802		N/A		
09	43650-0900		N/A	43650-0901		N/A	43650-0902		N/A		
10	43650-1000		N/A	43650-1001		N/A	43650-1002		N/A		
11	43650-1100		N/A	43650-1101		N/A	43650-1102		N/A		
12	43650-1200		N/A	43650-1201		N/A	43650-1202		N/A		
03	43650-1300		2				43650-1502		2,3,4		
09	43650-1900		2,4,5	43650-1901		2,4,6,8	43650-2002		2,3,5,6,8,9		
10											

THIS DRAWING CONTAINS INFORMATION THAT IS PROPRIETARY TO MOLEX ELECTRONIC TECHNOLOGIES, LLC AND SHOULD NOT BE USED WITHOUT WRITTEN PERMISSION

QUALITY SYMBOLS ▽ = 0 ▽ = 0 ▽ = 0 ▽ = 0 ▽ = 0 ▽ = 0 ▽ = 0 ▽ = 0 ▽ = 0 ▽ = 0	2017/02/02 2017/08/24 2017/08/29  ADD 43650-2002 EC NO: 113012 DRWN: JQUILES CHKD: SSOUSEK REV / APPR: FSMITH	GENERAL TOLERANCES (UNLESS SPECIFIED)		DIMENSION UNITS		SCALE									
				IN/MM		N/A									
				MM		INCH		DRWN BY		DATE		MICROFIT(3.0) RIGHT ANGLE THRU HOLE PEGS SINGLE ROW - TRAY			
		4 PLACES ± ±		±		±		KSAMIEC		2000/07/07					
3 PLACES ± ±		±		± 0.01		CHK'D BY		DATE		PRODUCT CUSTOMER DRAWING					
2 PLACES ± 0.25 ±		±		± 0.014		MUELLER		2000/07/07							
1 PLACES ± 0.35 ±		±		±		APPR BY		DATE		SERIES MATERIAL NUMBER CUSTOMER 43650 SEE CHART GENERAL MARKET					
0 PLACES ± ±		±		±		FSMITH		2016/03/18							
ANGULAR TOL = 0.5		DRAFT WHERE APPLICABLE MUST REMAIN WITHIN DIMENSIONS		DRAWING SIZE		THIRD ANGLE PROJECTION		DOCUMENT NUMBER		DOC TYPE		DOC PART		SHEET NUMBER	
C		C		C		C		SD-43650-001		PSD		000		1 OF 1	