

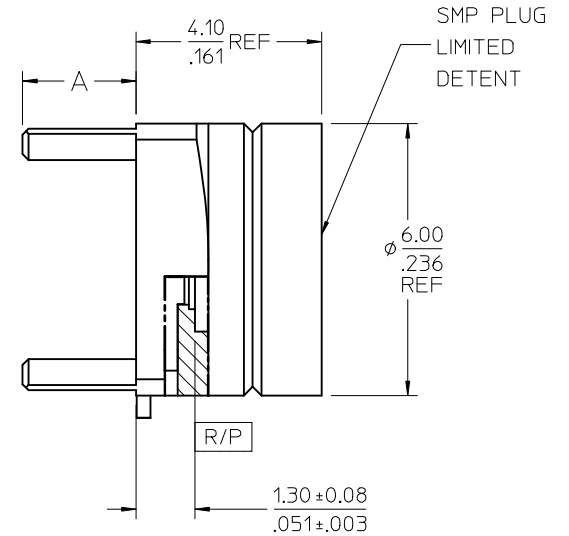
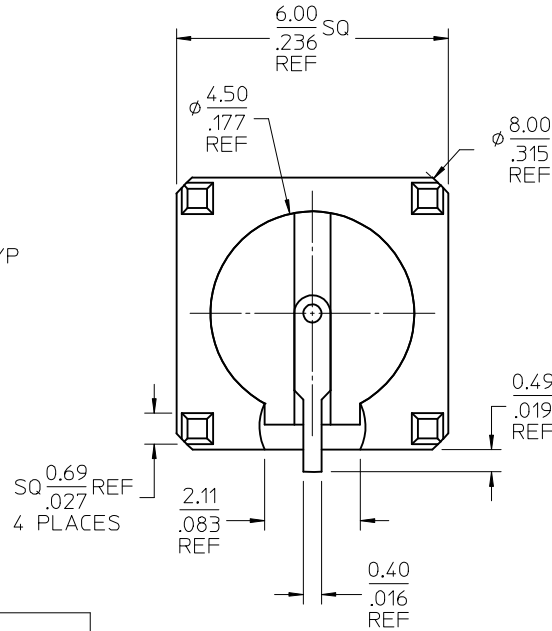
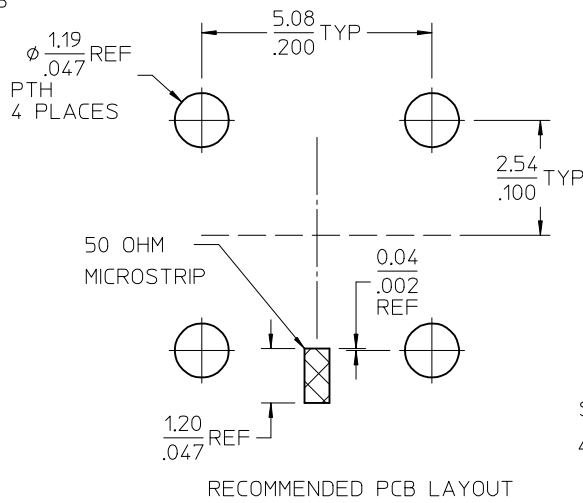
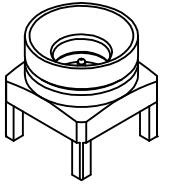
MATERIALS AND FINISHES:

BODY: BRASS
 PLATED: GOLD (8μ-in MIN)
 OVER NICKEL (80μ-in MIN)

CONTACT: BRASS
 PLATED: GOLD (30μ-in MIN)
 OVER NICKEL (100μ-in MIN)

INSULATOR: PEEK OR LCP

TAPE AND REEL: SEE SHEET 2



73415-3317	.067 / 1.70	ONE PER BAG (73415-3313)
73415-3316	.098 / 2.50	ONE PER BAG (73415-3311)
73415-3315	.135 / 3.43	TRAY PACK (73415-3314)
73415-3314	.135 / 3.43	TAPE AND REEL (750 PARTS PER REEL)
73415-3313	.067 / 1.70	TRAY PACK (73415-3312)
73415-3312	.067 / 1.70	TAPE AND REEL (750 PARTS PER REEL)
73415-3311	.098 / 2.50	TRAY PACK (73415-3310)
73415-3310	.098 / 2.50	TAPE AND REEL (750 PARTS PER REEL)
PART NO.	IN / MM	PACKAGING
	DIM A (REF)	

PS-89675-3320	PRODUCT SPECIFICATION
MIL-STD-348B, FIG. 326.3	INTERFACE SMP LD
SPECIFICATION	DESCRIPTION

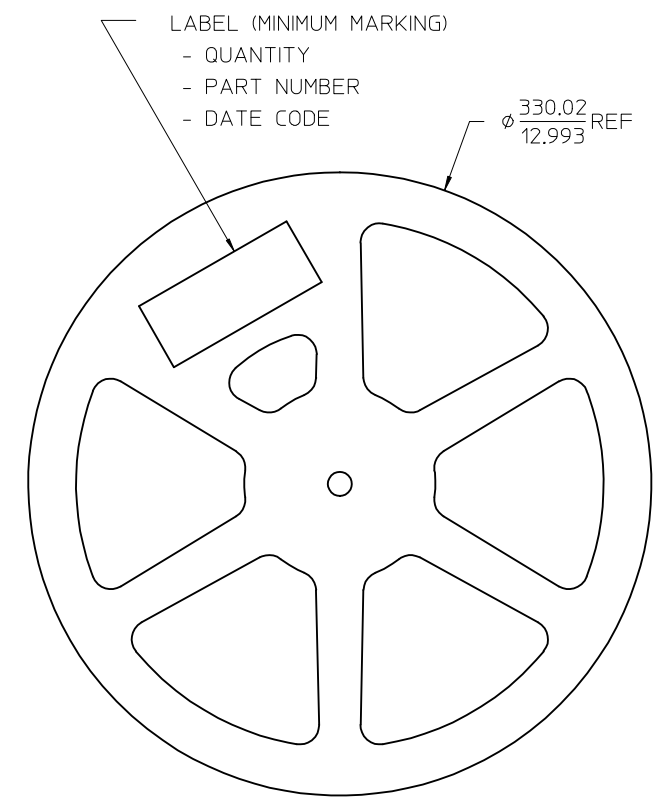
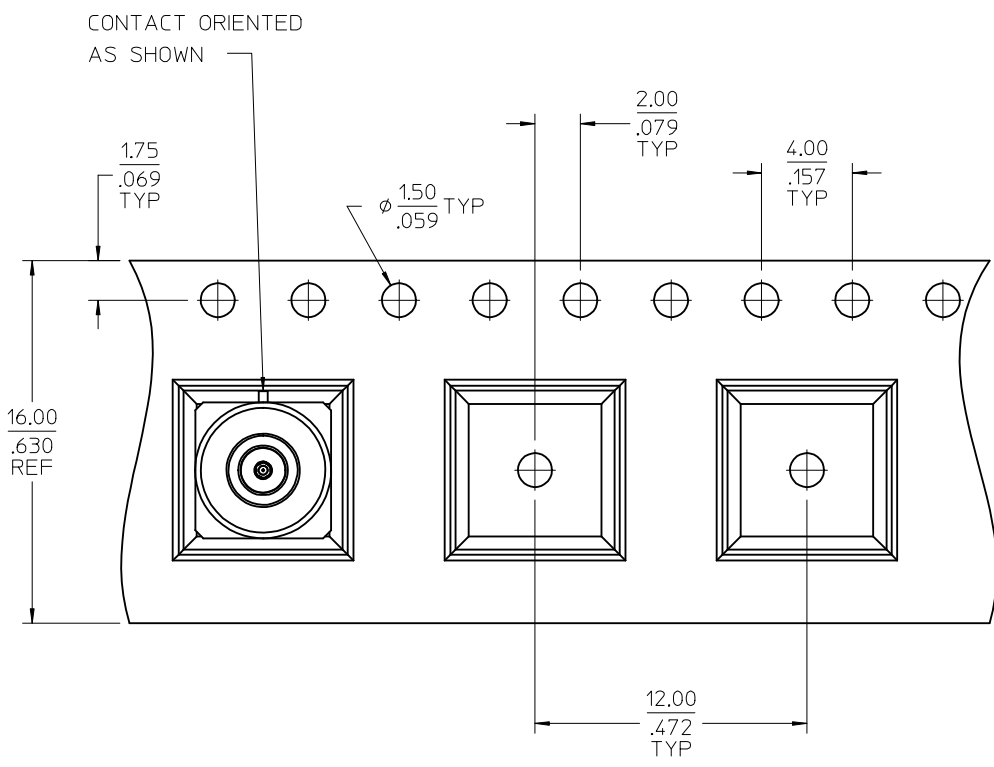
CHG: ADD TOLERANCE TO DIM 1.30/.051 IN E2 ZONE. UPD MATERIALS AND FINISHES NOTE. ADD ISO VIEW. EC NO: URF2017-0403 DRWINAPRAKASH01 2017/05/31 CHKD:888 2017/05/31 APPR:AROBERTSON 2017/06/29

QUALITY SYMBOLS	DESCRIPTION
▽=0	
▽=0	
▽=0	

GENERAL TOLERANCES (UNLESS SPECIFIED)	
mm	INCH
4 PLACES ± .010	± .0004
3 PLACES ± .010	± .0004
2 PLACES ± 0.25	± .010
1 PLACE ± .010	± .0004
0 PLACE ±	±
ANGULAR ± 2°	
DRAFT WHERE APPLICABLE MUST REMAIN WITHIN DIMENSIONS	

DIMENSION STYLE	
MM/IN	
DRAWN BY	DATE
JLEE02	2010/11/01
CHECKED BY	DATE
SSS	2010/11/05
APPROVED BY	DATE
JWIENER	2010/11/11
MATERIAL NO.	
SEE TABLE	
SIZE	
THIS DRAWING CONTAINS INFORMATION THAT IS PROPRIETARY TO MOLEX. INCORPORATED AND SHOULD NOT BE USED WITHOUT WRITTEN PERMISSION	

SCALE	DESIGN UNITS	THIRD ANGLE PROJECTION
	METRIC	
TITLE		
SMP PLUG STRAIGHT PCB LIMITED DETENT, EWR-1359 SMP-P/PCB		
molex		
DOCUMENT NO.	SHEET NO.	
SD-73415-331	1 OF 2	



CHG: SEE SHEET 1
EC NO: URF2017-0403
DRW:APRAKASHO1 2017/05/31
CHKD:888 2017/05/31
APPR:AROBERTSON 2017/06/29

REV	DESCRIPTION
9	

QUALITY SYMBOLS	
$\nabla = 0$	
$\nabla = 0$	
$\nabla = 0$	

GENERAL TOLERANCES (UNLESS SPECIFIED)	
	MM/IN
4 PLACES	\pm ---
3 PLACES	\pm ---
2 PLACES	\pm 0.25
1 PLACE	\pm ---
0 PLACE	\pm ---

DIMENSION STYLE		SCALE	DESIGN UNITS	THIRD ANGLE PROJECTION
MM/IN			METRIC	
DRAWN BY	DATE	TITLE		
JLEE02	2010/11/01	SMP PLUG STRAIGHT PCB LIMITED DETENT, EWR-1359 SMP-P/PCB		
CHECKED BY	DATE	molex		
SSS	2010/11/05			
APPROVED BY	DATE	DOCUMENT NO.		
JW IENER	2010/11/11	SD-73415-331		
MATERIAL NO.		SEE SHEET 1		SHEET NO.
				2 OF 2

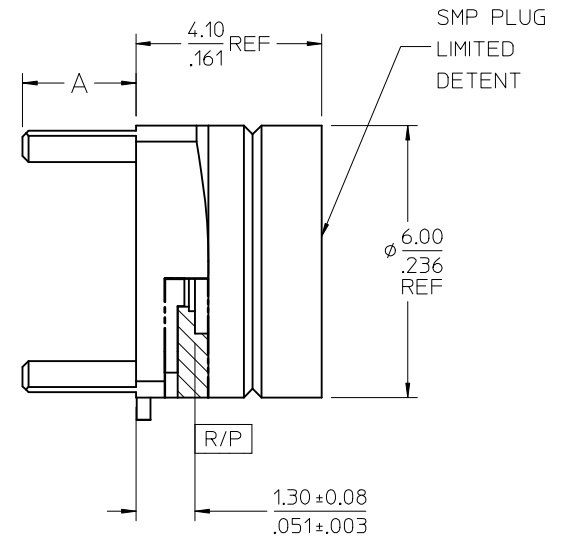
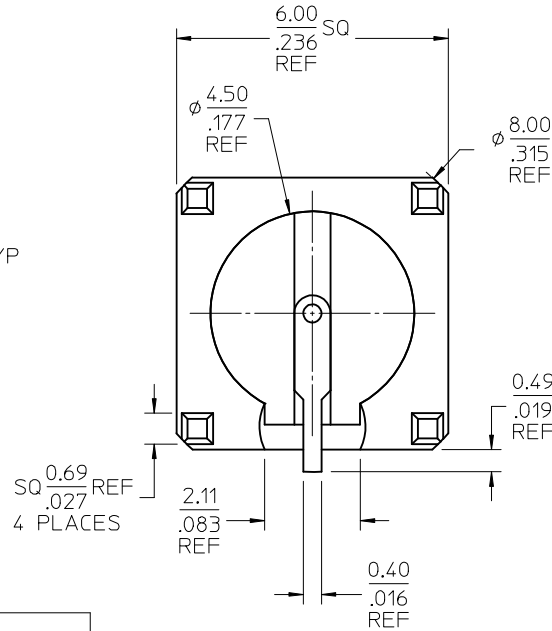
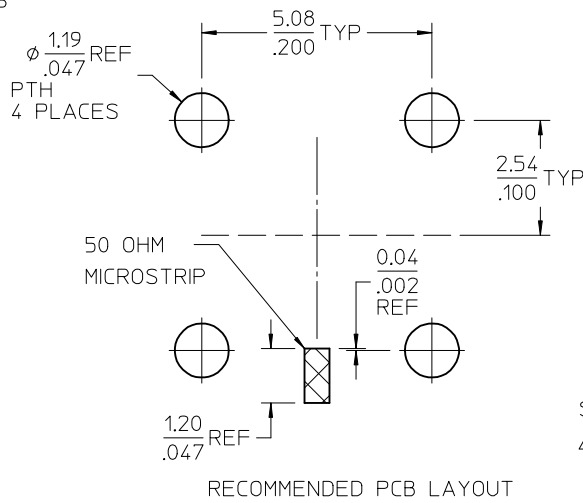
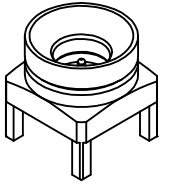
MATERIALS AND FINISHES:

BODY: BRASS
 PLATED: GOLD (8μ-in MIN)
 OVER NICKEL (80μ-in MIN)

CONTACT: BRASS
 PLATED: GOLD (30μ-in MIN)
 OVER NICKEL (100μ-in MIN)

INSULATOR: PEEK OR LCP

TAPE AND REEL: SEE SHEET 2



73415-3317	.067 / 1.70	ONE PER BAG (73415-3313)
73415-3316	.098 / 2.50	ONE PER BAG (73415-3311)
73415-3315	.135 / 3.43	TRAY PACK (73415-3314)
73415-3314	.135 / 3.43	TAPE AND REEL (750 PARTS PER REEL)
73415-3313	.067 / 1.70	TRAY PACK (73415-3312)
73415-3312	.067 / 1.70	TAPE AND REEL (750 PARTS PER REEL)
73415-3311	.098 / 2.50	TRAY PACK (73415-3310)
73415-3310	.098 / 2.50	TAPE AND REEL (750 PARTS PER REEL)
PART NO.	IN / MM	PACKAGING
	DIM A (REF)	

PS-89675-3320	PRODUCT SPECIFICATION
MIL-STD-348B, FIG. 326.3	INTERFACE SMP LD
SPECIFICATION	DESCRIPTION

CHG: ADD TOLERANCE TO DIM 1.30/.051 IN E2 ZONE. UPD MATERIALS AND FINISHES NOTE. ADD ISO VIEW. EC NO: URF2017-0403 DRWINAPRAKASH01 2017/05/31 CHKD:888 2017/05/31 APPR:AROBERTSON 2017/06/29

QUALITY SYMBOLS	DESCRIPTION
▽=0	
▽=0	
▽=0	

GENERAL TOLERANCES (UNLESS SPECIFIED)	
mm	INCH
4 PLACES ± .010	± .0004
3 PLACES ± .010	± .0004
2 PLACES ± 0.25	± .010
1 PLACE ± .010	± .0004
0 PLACE ±	±
ANGULAR ± 2°	
DRAFT WHERE APPLICABLE MUST REMAIN WITHIN DIMENSIONS	

DIMENSION STYLE	
MM/IN	
DRAWN BY	DATE
JLEE02	2010/11/01
CHECKED BY	DATE
SSS	2010/11/05
APPROVED BY	DATE
JWIENER	2010/11/11
MATERIAL NO.	
SEE TABLE	
SIZE	
THIS DRAWING CONTAINS INFORMATION THAT IS PROPRIETARY TO MOLEX. INCORPORATED AND SHOULD NOT BE USED WITHOUT WRITTEN PERMISSION	

SCALE	DESIGN UNITS	THIRD ANGLE PROJECTION
	METRIC	
TITLE		
SMP PLUG STRAIGHT PCB LIMITED DETENT, EWR-1359 SMP-P/PCB		
molex		
DOCUMENT NO.		SHEET NO.
SD-73415-331		1 OF 2

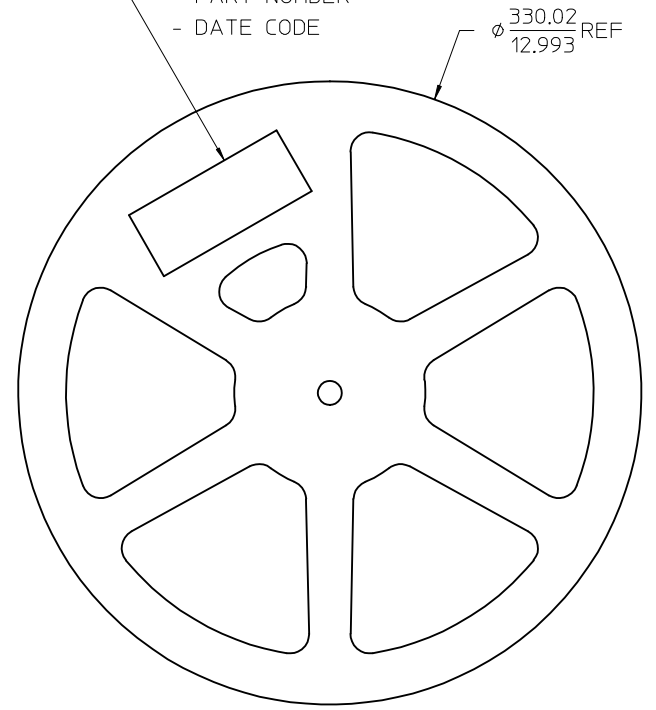
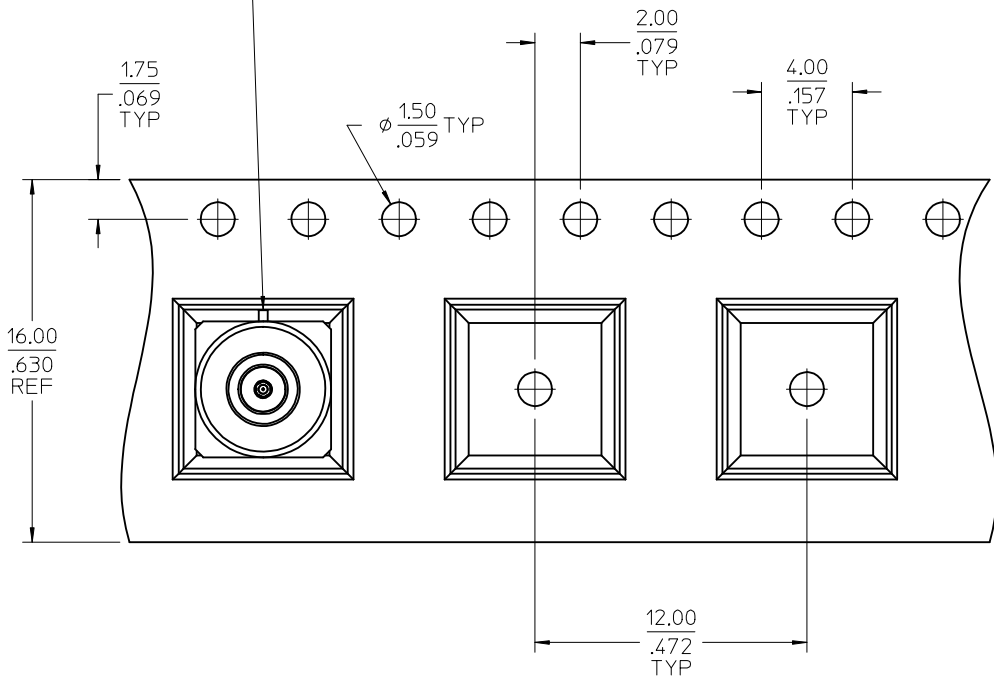
13 12 11 10 9 8 7 6 5 4 3 2 1

J I H G F E D C B A

CONTACT ORIENTED
AS SHOWN

LABEL (MINIMUM MARKING)

- QUANTITY
- PART NUMBER
- DATE CODE



CHG: SEE SHEET 1	QUALITY SYMBOLS
EC NO: URF2017-0403	▽=0
DRW:APRAKASHO1 2017/05/31	▽=0
CHKD:888	▽=0
APP:AROBERTSON 2017/06/29	
REV	DESCRIPTION
C9	

GENERAL TOLERANCES (UNLESS SPECIFIED)	
	mm INCH
4 PLACES	± .10 ± .004
3 PLACES	± .15 ± .006
2 PLACES	± 0.25 ± .010
1 PLACE	± .50 ± .020
0 PLACE	± .75 ± .030
ANGULAR ± 2 °	
DRAFT WHERE APPLICABLE MUST REMAIN WITHIN DIMENSIONS	

DIMENSION STYLE	
MM/IN	
DRAWN BY	DATE
JLEE02	2010/11/01
CHECKED BY	DATE
SSS	2010/11/05
APPROVED BY	DATE
JWIENER	2010/11/11
MATERIAL NO.	
SEE SHEET 1	

SCALE	DESIGN UNITS	THIRD ANGLE PROJECTION
	METRIC	
TITLE		
SMP PLUG STRAIGHT PCB LIMITED DETENT, EWR-1359 SMP-P/PCB		
molex		
DOCUMENT NO.	SHEET NO.	
SD-73415-331	2 OF 2	
THIS DRAWING CONTAINS INFORMATION THAT IS PROPRIETARY TO MOLEX INCORPORATED AND SHOULD NOT BE USED WITHOUT WRITTEN PERMISSION		