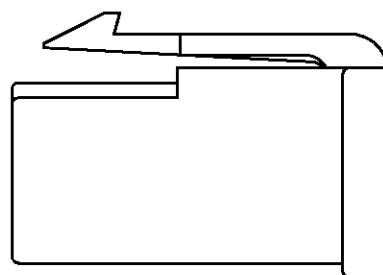
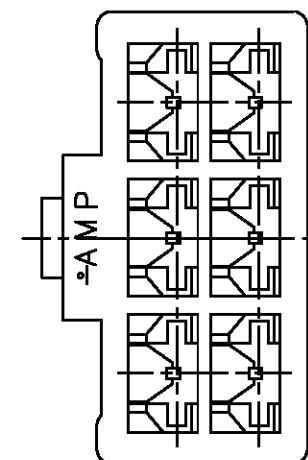
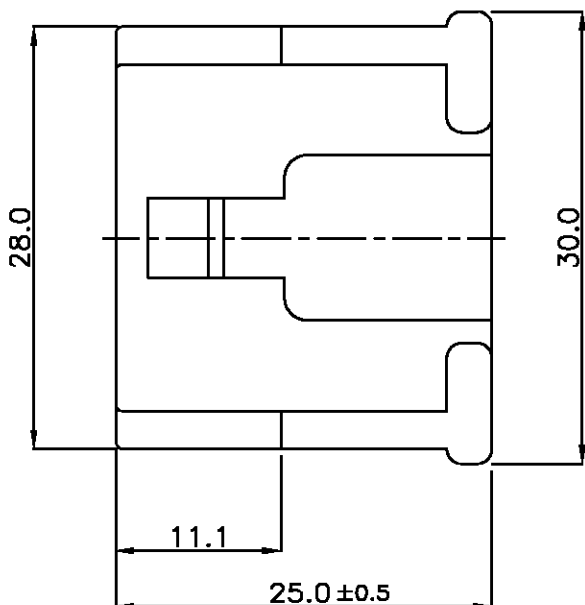
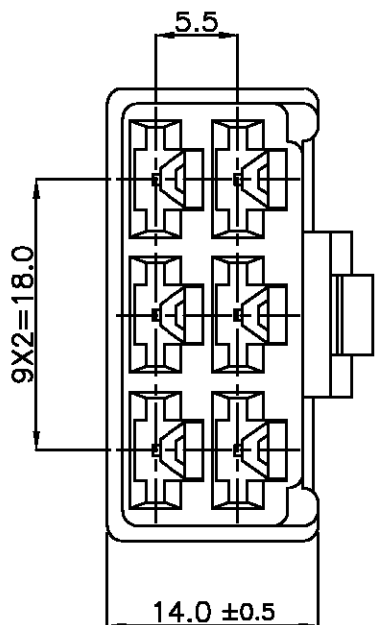


P	LTR	DESCRIPTION	DATE	DWN	APVD
	0	RELEASED			
	01	REVISED PER ECO-10-000444	08JAN10	KK	AEG



NOTES:

- GENERAL TOLERANCES ARE  $\pm 0.2, \pm 1^*$
- APPLIED CONTACT P/N: 170384, 170032, 170258
- OBSOLETE PARTS: OBSOLETE CIS STREAMLINING PER D.RENAUD/D.SINISI

	174204-9	RED
	174204-8	ORANGE
	<del>174204-7</del>	YELLOW
	174204-6	GREY
	<del>174204-5</del>	BLUE
	174204-4	GREEN
	174204-3	BROWN
	174204-2	BLACK
	174204-1	NATURAL
	PART NO	COLOR

THIS DRAWING IS A CONTROLLED DOCUMENT FOR AMP INCORPORATED. IT IS SUBJECT TO CHANGE AND THE CONTROLLING ENGINEERING ORGANIZATION SHOULD BE CONTACTED FOR THE LATEST REVISION.		DWN	<b>AMP</b> AMP KOREA. kyungsan, korea		
DIMENSIONS: MM		CHK			
TOLERANCES UNLESS OTHERWISE SPECIFIED:  SEE NOTE		APVD	NAME 250 6P PLUG HSG		
3rd ANGLE PROJECTION		PRODUCT SPEC	DRAWING NO 174204		
MATERIAL PA66		APPLICATION SPEC 114-5052	SIZE A3	CAGE CODE 00779	SCALE 2/1
FINISH		WEIGHT	SHEET 1 OF 1		REV 01

# Mouser Electronics

Authorized Distributor

Click to View Pricing, Inventory, Delivery & Lifecycle Information:

[TE Connectivity:](#)

[174204-1](#)