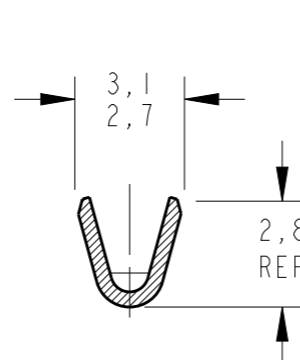
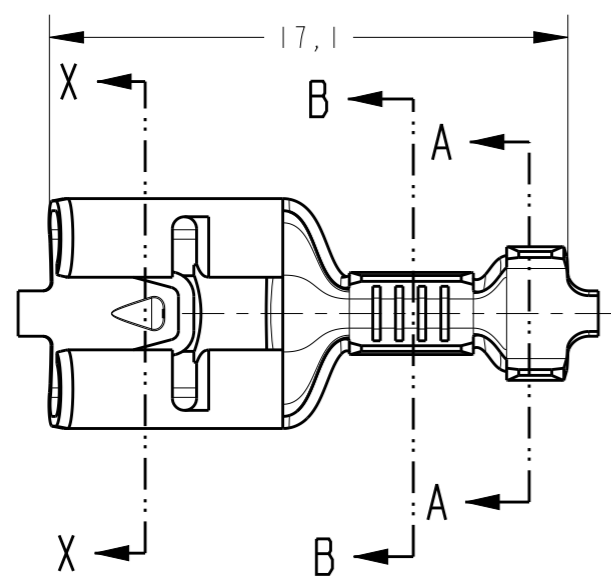
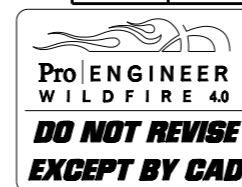


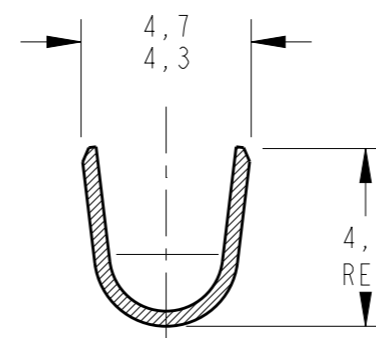
LOC AP DIST -

REVISIONS

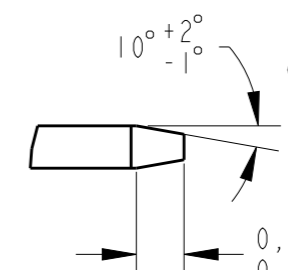
P	LTR	DESCRIPTION	DATE	DWN	APVD
C2		REDRAW BY CAD ECO-12-014149	27AUG2012	NCL	DAO
C3		REV. BY ECO 13-014548	13SEP2013	HC	WLS
C4		REVISED BY ECO 16-003725	23JUN2016	HC	WLS
C5		REV. BY ECO 17-010545	18JUL2017	HC	WLS



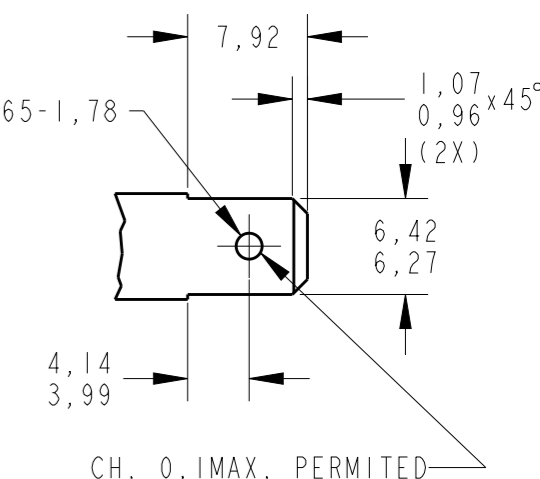
SECTION B-B SCALE 5:1



SECTION A-A SCALE 5:1

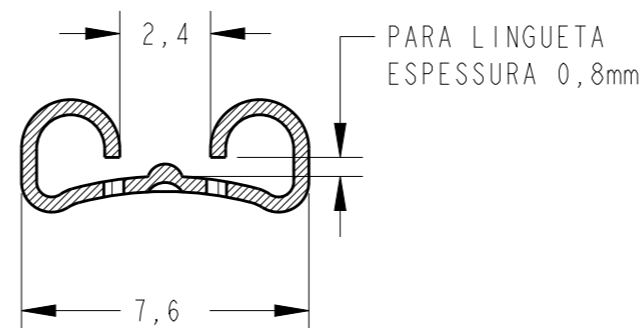
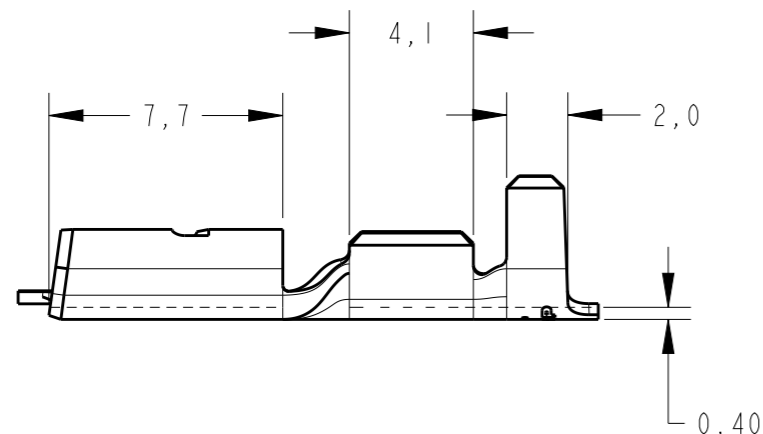
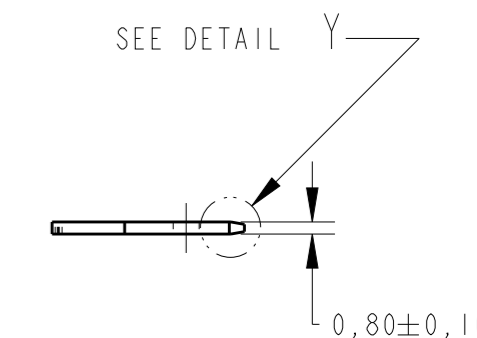


DETAIL Y SCALE 7:1



CH. 0, IMAX. PERMITTED

TEST TAB BR-6-058-1 MATERIAL: AÇO RÁPIDO



SECTION X-X SCALE 5:1

FINISH	MATERIAL	PART NUMBER
ESTANHADO / TIN PLATED	LATÃO / BRASS	444334 -4
---	LATÃO / BRASS	444334 -3
ESTANHADO / TIN PLATED	LATÃO / BRASS	444334 -2
---	LATÃO / BRASS	444334 -1

INS. RANGE	WIRE RANGE
∅ 2,3-3,3mm	0,3-0,8mm ²

PART NUMBER	1º INSERÇÃO MÁX. (N)	1º EXTRAÇÃO MÍN. (N)	10º EXTRAÇÃO MÍN. (N)
444334 -1	40	50	20
444334 -2	40	50	20
444334 -3	40	70	20
444334 -4	40	70	20

THIS DRAWING IS A CONTROLLED DOCUMENT.

DWN NCLAPRESA 12 JUL 2012
 CHK JRGOLDSCHMIDT 12 JUL 2012
 APVD DAOLIVEIRA 12 JUL 2012

NAME: -
 PRODUCT SPEC: 108-37034
 APPLICATION SPEC: -
 WEIGHT: -

STE TE Connectivity

TERMINAL FASTON 6,35 RECEPT

SIZE A3 CAGE CODE 00779 DRAWING NO C-444334 RESTRICTED TO -

Customer Drawing SCALE - SHEET 1 OF 1 REV C5

Mouser Electronics

Authorized Distributor

Click to View Pricing, Inventory, Delivery & Lifecycle Information:

[TE Connectivity:](#)

[444334-2](#)