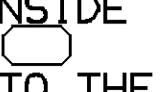
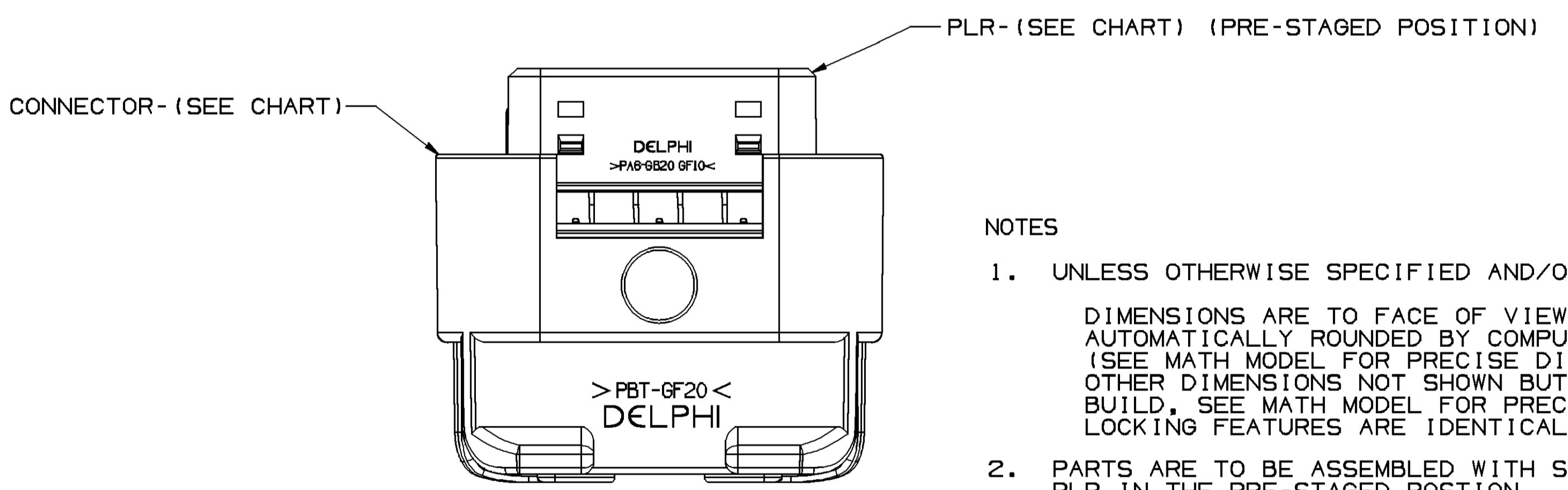
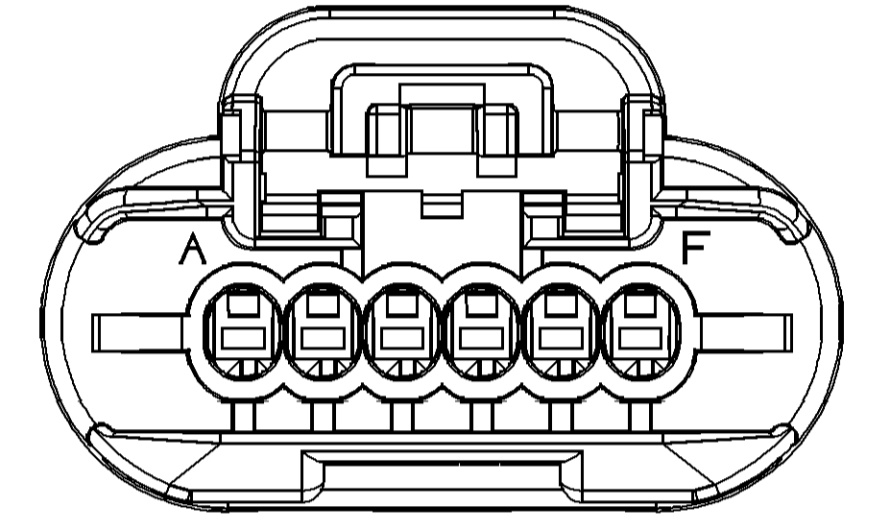
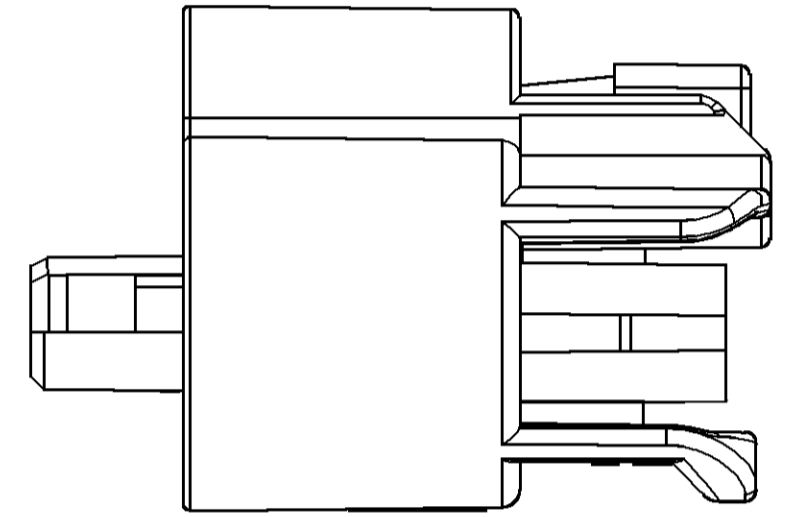
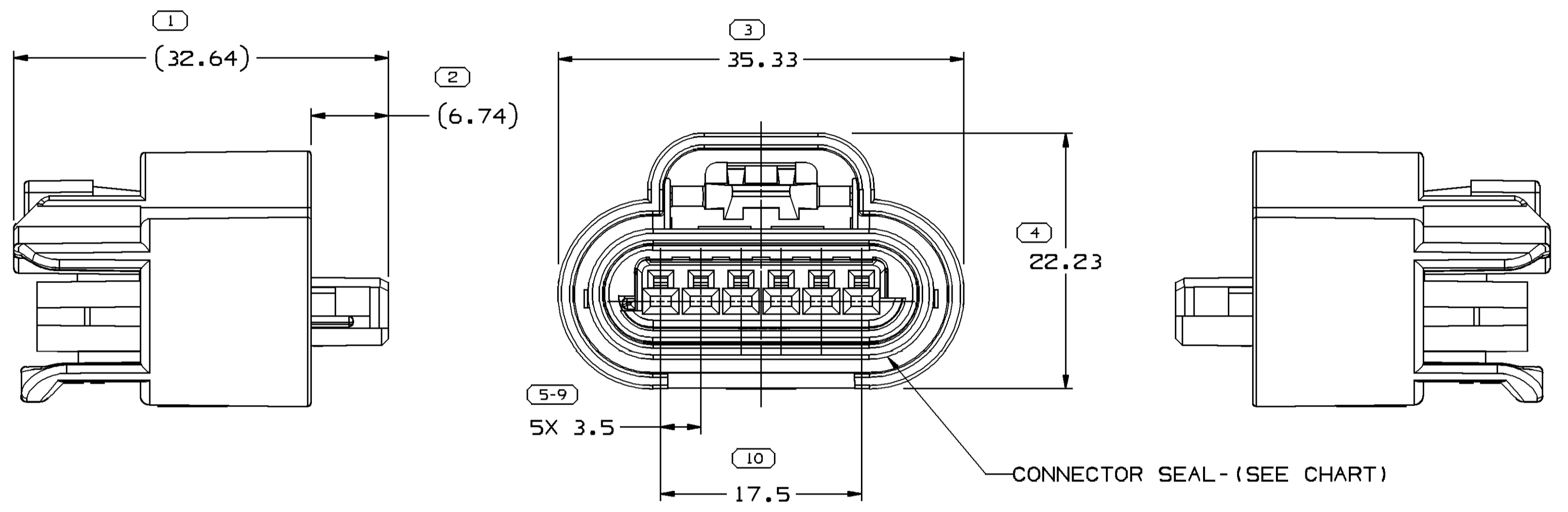
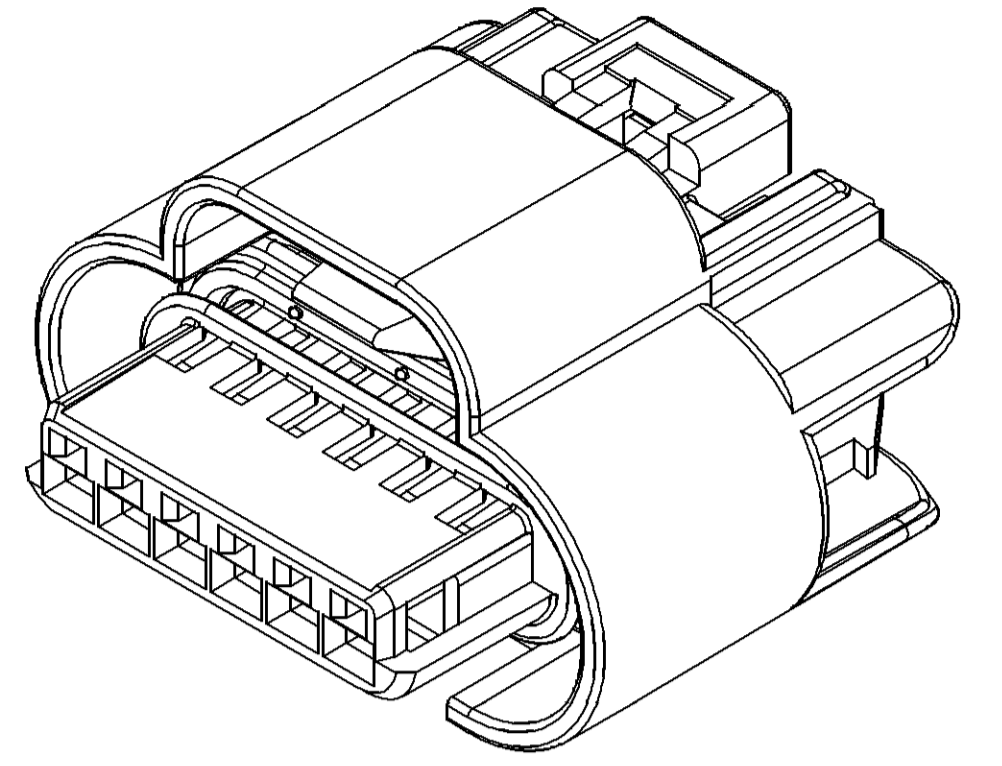


SYMBOL DEFINITION		MISSING NUMBERS	
THE NUMBER INSIDE THE SYMBOL  CORRESPONDS TO THE NUMBER ON THE INSPECTION REPORT FOR THIS DRAWING/PART NUMBER	TOTAL NO. OF SYMBOLS ON DRAWING	6	
	LAST NO. USED	10	

DWG STATUS					REVISION HISTORY			AUTH	DR	APVD 1	APVD 2
DATE	STG	REV	N/P	CHG							
20JUL98	R	A1	-	-	CLEARED REV COLUMN: (6.74) WAS 6.74			195185	LMM	AUG	EA
23AUG07	R	A2	-	-	REVISED NOTE 2 - TERMINAL 15326266 WAS 15305130 AND CABEL SEAL 15366022 WAS 12191229			402173	MM	MM	MJC
20AUG12	R	A3	-	-	ADDED PERFORMANCE REQUIREMENT AND APPLICATION DATA NOTES			418854	JLP	JVM	DGL



- NOTES
- UNLESS OTHERWISE SPECIFIED AND/OR INDICATED:
DIMENSIONS ARE TO FACE OF VIEW SHOWN AND AUTOMATICALLY ROUNDED BY COMPUTER FOR INSPECTION (SEE MATH MODEL FOR PRECISE DIMENSIONS). FOR ALL OTHER DIMENSIONS NOT SHOWN BUT REQUIRED FOR TOOL BUILD, SEE MATH MODEL FOR PRECISE TOOL PATH DATA. LOCKING FEATURES ARE IDENTICAL.
 - PARTS ARE TO BE ASSEMBLED WITH SEAL IN PLACE AND THE PLR IN THE PRE-STAGED POSITION.
 - EQUIVALENT TO ID-406401.
 - FOR APPLICATION DATA SEE THE APPLICATION DRAWING.
 - THIS CONNECTION MEETS OR EXCEEDS SAE/USCAR-2 AUGUST 1997, SECTION 5.3.1.2, TERMINAL DISENGAGE CRITERIA WITH THE APPLICATION OF A TERMINAL POSITION ASSURANCE (TPA) SECONDARY LOCK.
 - THIS PRODUCT IS NOT CATEGORIZED AS AN APPEARANCE ITEM, MINOR IMPERFECTIONS INCLUDING, BUT NOT LIMITED TO, FLOW MARKS, COLOR BLEMISHES, GATE VESTIGE, AND SOFT FLASH THAT DO NOT AFFECT THE FIT, FORM, OR FUNCTION OF THE PART ARE PERMISSIBLE PER DPNP-4.7-CS-01.

PART NO	CONNECTOR	CONNECTOR SEAL	PLR
15336013	15336012	12059226	15336015

DIMENSIONAL RANGE (MM)		CHART E1	
FROM	TO	±0.15	±0.2
> 0	> 20	±0.3	±0.4
> 20	> 30	±0.4	±0.5
> 30	> 70	±0.5	±0.6
> 70	> 100	±0.6	±0.8
> 100	> 150	±1	±1.2
> 150	> 200	±1	±1.2
> 200	> 250	±1	±1.2
> 250	> 300	±1	±1.2
> 300	> 400	±1	±1.2

(N/A) PROCESS SENSITIVE DIMENSION

DIMENSIONS ENCLOSED IN () INDICATE REFERENCE DIMENSIONS AND NO TOLERANCE LIMITS ARE ESTABLISHED

TOLERANCE UNLESS OTHERWISE SPECIFIED

ANGULAR TOLERANCE ±2°

INDICATES THAT PHYSICAL PARTS ARE NOT AVAILABLE FOR ORDERING.

PART NUMBERS THAT DO NOT HAVE A LINE PRESENT INDICATE THAT PHYSICAL PARTS ARE AVAILABLE FOR ORDERING.

CONTACT DELPHI SALES TO ASSURE AVAILABILITY OF PARTS.

DWG TYPE: PART DRAWING

STYLE: D

VOLUME (C/P): D

DISTR CODE: D

UNLESS OTHERWISE SPECIFIED THIS DOCUMENT IS IN ACCORDANCE WITH ASME Y14.5M-1994 AS AMENDED BY THE GM GLOBAL DIMENSIONING AND TOLERANCING ADDENDUM-2001. SEPARATE PATTERNS OF FEATURES MAY BE GAGED SEPARATELY REGARDLESS OF DATUM REFERENCES.

ALL DIMENSIONS ARE IN MILLIMETERS

REFERENCE:

THIRD ANGLE PROJECTION

DO NOT SCALE

USE MATH DATA

NX

DELPHI
DELPHI PACKARD ELECTRICAL/ELECTRONIC ARCHITECTURE
WARREN, OH
COPYRIGHT 1998 DELPHI CORPORATION AND/OR ITS AFFILIATES. ALL RIGHTS RESERVED.
REVISED 2012
THIS DRAWING IS THE PROPERTY OF DELPHI CORPORATION. THE REPRODUCTION, DISTRIBUTION AND UTILIZATION OF THIS DOCUMENT OR ITS RELATED CAD MATH DATA, AS WELL AS COMMUNICATION OF ANY CONTENT TO OTHERS, WITHOUT EXPRESS AUTHORIZATION IS PROHIBITED.

DR	DATE
APVD1 R. D'ANDREA	03JN98
APVD2 R. D'ANDREA	03JN98
APVD3 E. ARANGO	08JL98
APVD4	
APVD5	

SUBSTANCES OF CONCERN AND RECYCLED CONTENT PER DELPHI 10949001

MATERIAL SEE DRAWING

DRAWING NAME: ASM CONN 6 F ØT 150 SLD

DRAWING NUMBER: 15336013

SIZE	SCALE	FRAME NO	SHEET NO	STG	REV	N/P
A1	3:1	1 OF 1	1 OF 1	R	A3	-

Mouser Electronics

Authorized Distributor

Click to View Pricing, Inventory, Delivery & Lifecycle Information:

[Aptiv:](#)

[15336013](#)