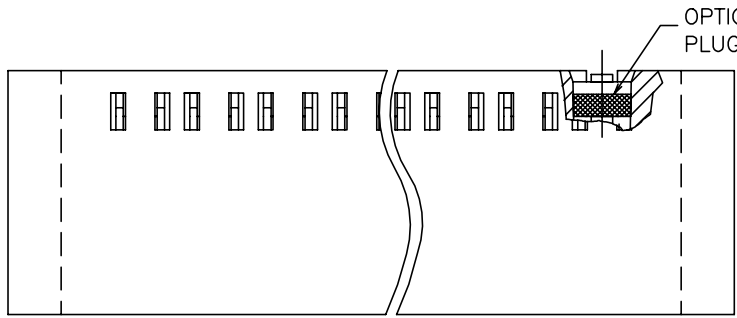
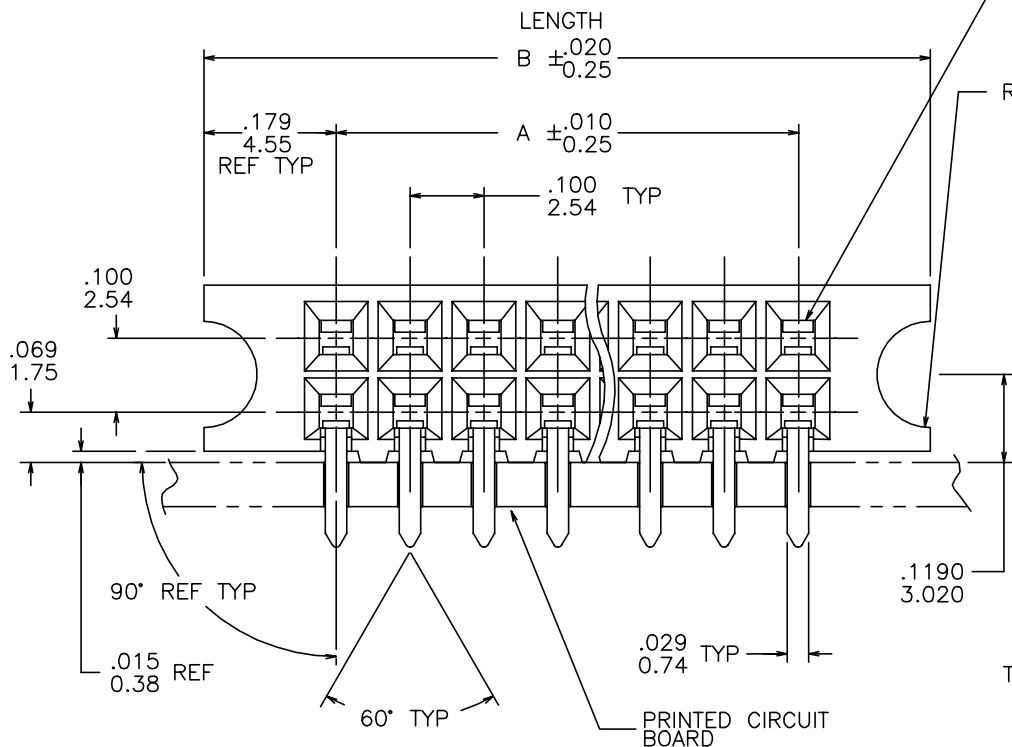


PRODUCT NO.  
SEE TABLE

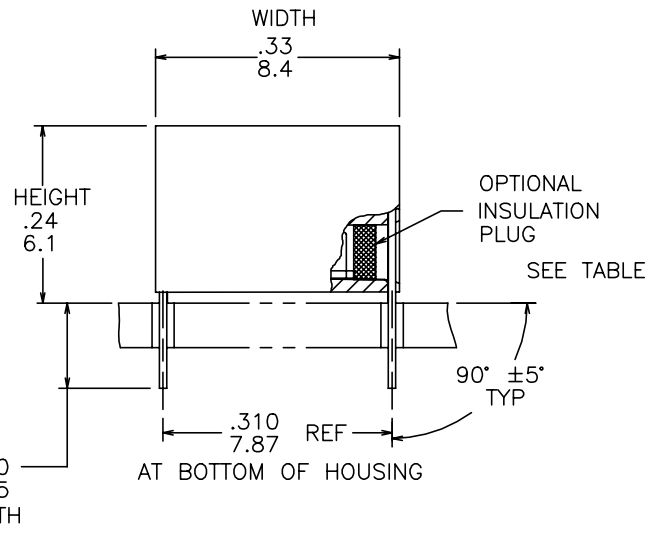


OPTIONAL INSULATION  
PLUG



.046  
1.17  
SQUARE CONTACT  
OPENING TYP

R .072  $\pm 0.003$   
-0.002 TYP  
1.83  $\pm 0.08$   
-0.05



mat'l. code		surface		tolerance		projection		product family	
-		ISO 1302 ✓		ISO 406 ISO 1101				CARD CONNECTOR	
l	tr	ec	n	o	r	date		title	
A	NEW	ZK	10/25/13	tolerances unless otherwise specified				GUIDE PIN VERT. CARD CONN. ASS'Y	
angles		line		$\times \times \pm 0.01 / \times \times \pm 0.3$ $\times \times \times \pm 0.008 / \times \times \times \pm 0.20$ $\times \times \times \times \pm 0.0040 / \times \times \times \pm 0.100$		INCH/MM		dwg no	
0° ± 2°						scale 4:1		sheet 1 of 3 size	
dr		ZK HU		10/25/13				10127812	
engr		ZK HU		10/25/13				A3	
chr		RICK BIAN		10/25/13				type Product Customer Drawing	
appd		RICK BIAN		10/25/13					
sheet	revision	A	A	A					
index	sheet	1	2	3					



Copyright FCI

PRODUCT NO.  
SEE TABLE

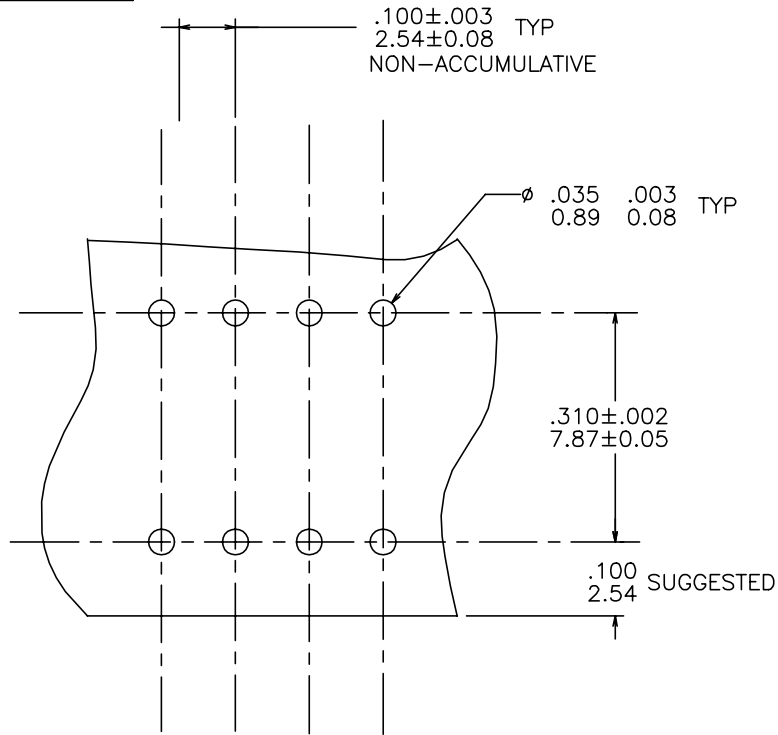


FIGURE 1

NOTES:

1. HOUSING MATERIAL:  
FILLED HIGH TEMPERATURE NYLON  
PER UL 94V-0  
COLOR: BLACK
2. TERMINAL MATERIAL:  
BODY: BRASS. .010/0.25 THICK  
SPRING: BE-CU. HEAT TREATED  
BODY PLATING DUPLEX :  
30 MICROINCH/0.76 MICRON GOLD  
OVER 50 MICROINCH/1.27 MICRON NICKEL  
IN CONTACT AREA  
SOLDER TAIL : 100u"/2.54um PURE TIN MIN  
OVER 050u"/1.27um NICKEL  
SPRING PLATING: GOLD FLASH

3. MARK "FCI", FCI PART NUMBER AND DATE CODE.  
LEGIBLE ON TUBE LABEL.
4. APPLICATION INFORMATION:
  - A. RECOMMENDED MOUNTING HOLE  
PATTERN IS SHOWN IN FIGURE "1"
  - B. ALL MATING PINS TO BE .025/.64 SQUARE ON  
TRUE CENTER OF GIVEN TERMINAL  
SPACINGS WITHIN .015/0.38 DIA.
  - C. SUGGESTED MATING PIN LENGTH  
.350±.020/8.89±0.51
5. .003/0.08 THICK TERMINAL SPRING.
6. PACKAGING: STANDARD 24" LONG TUBES.
7. ADD "LF" SUFFIX AT THE END OF PART NUMBER FOR  
LEAD FREE OPTION.
8. THIS PRODUCT MEETS EUROPEAN UNION DIRECTIVES AND OTHER  
COUNTRY REGULATION AS DESCRIBED IN GS-22-008.
9. THE HOUSING WILL WITHSTAND EXPOSURE TO 260°C PEAK TEMPERATURE  
FOR 15 SECONDS IN A WAVE SOLDER APPLICATION WITH A 1.5mm  
MINIMUM THICK CIRCUIT BOARD. SEE APPLICATION NOTES/PROCEDURES  
IF THEY ARE AVAILABLE.

FCI  
FCIconnect.com

Copyright FCI

mat'l. code -		surface ISO 1302 ✓		tolerance ISO 406 ISO 1101		projection INCH/MM		product family CARD CONNECTOR	
ltr ecn nodr date		tolerances unless otherwise specified		title		scale 4:1		dwg no sheet 2 of 3 size	
A		angles 0°±2'		line XX±.01/XX±0.3 XXX±.008/XXX±0.20 XXXX±.0040/XXX±0.100		INCH/MM		10127812 A3	
dr		ZK HU		10/25/13		FCI		type Product Customer Drawing	
engr		ZK HU		10/25/13					
chr		RICK BIAN		10/25/13					
appd		RICK BIAN		10/25/13					
sheet index		revision sheet							

PRODUCT NO. NOTE 9	NO. OF POS.	A DIM	B DIM	INSUL. PLUG
10127812-025LF	2X25	2.400/60.96	2.758/70.05	NO
10127812-030LF	2X30	2.900/73.66	3.258/82.75	NO
10127812-530LF	2X30	2.900/73.66	3.258/82.75	YES



FCIconnect.com

Copyright FCI

mat'l. code		surface		tolerance		projection		product family	
-		ISO 1302 ✓		ISO 406 ISO 1101				CARD CONNECTOR	
tr/ecn no/dr		date		tolerances unless otherwise specified					
A				angles		line		INCH/MM	
				0°±2°		$\pm .01 / \pm 0.3$ $\pm .008 / \pm 0.20$ $\pm .0040 / \pm 0.100$		scale 4:1	
dr		ZK HU		10/25/13		FCI		dwg no sheet 3 of 3 size	
engr		ZK HU		10/25/13				10127812 A3	
chr		RICK BIAN		10/25/13				type Product Customer Drawing	
appd		RICK BIAN		10/25/13					
sheet index		revision sheet							

# Mouser Electronics

Authorized Distributor

Click to View Pricing, Inventory, Delivery & Lifecycle Information:

[FCI / Amphenol:](#)

[10127812-030LF](#)