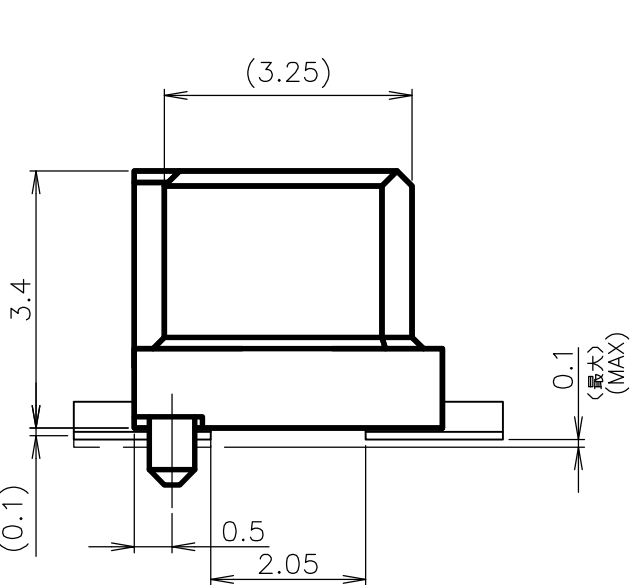
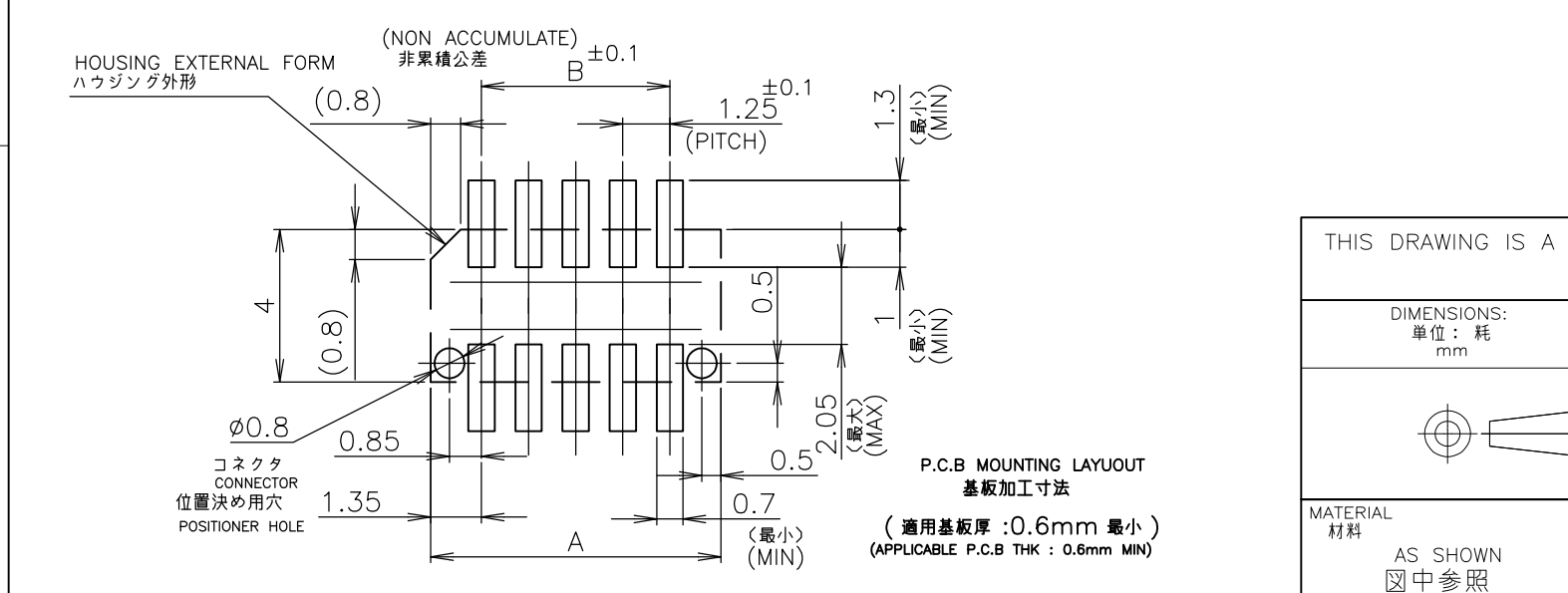
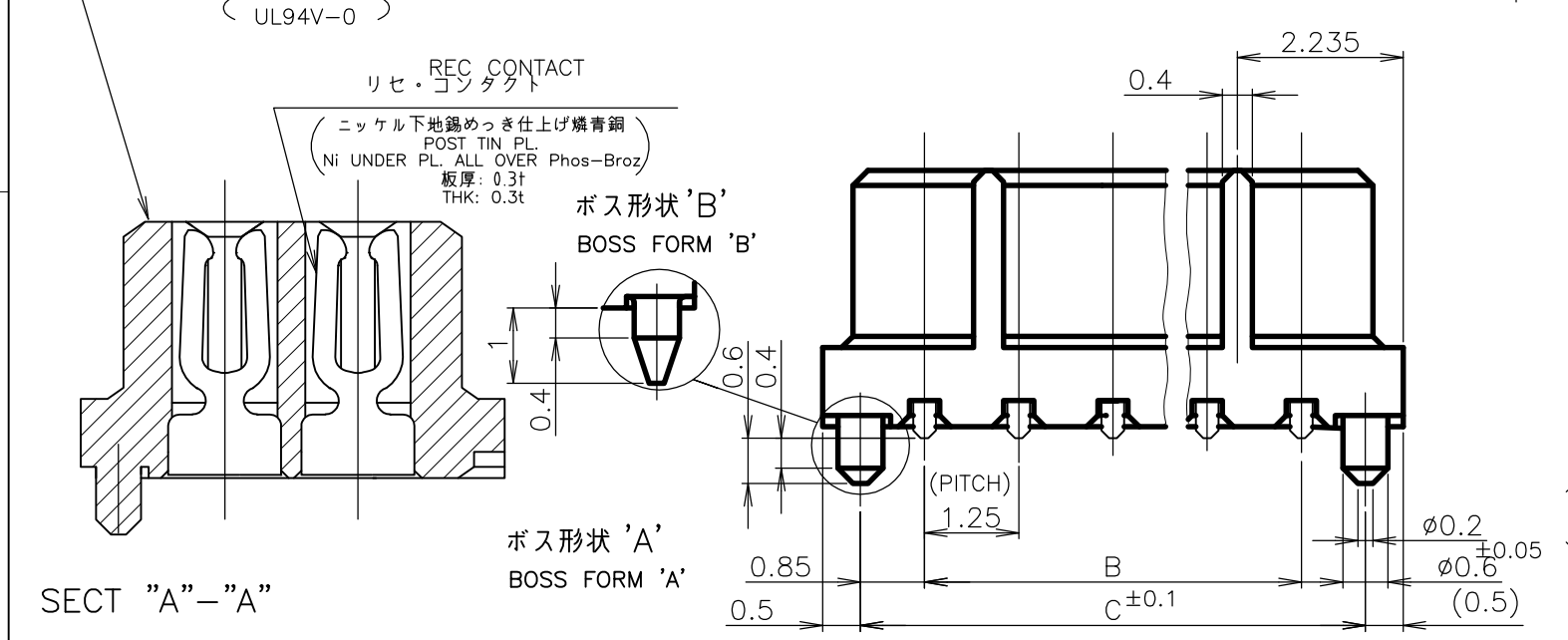
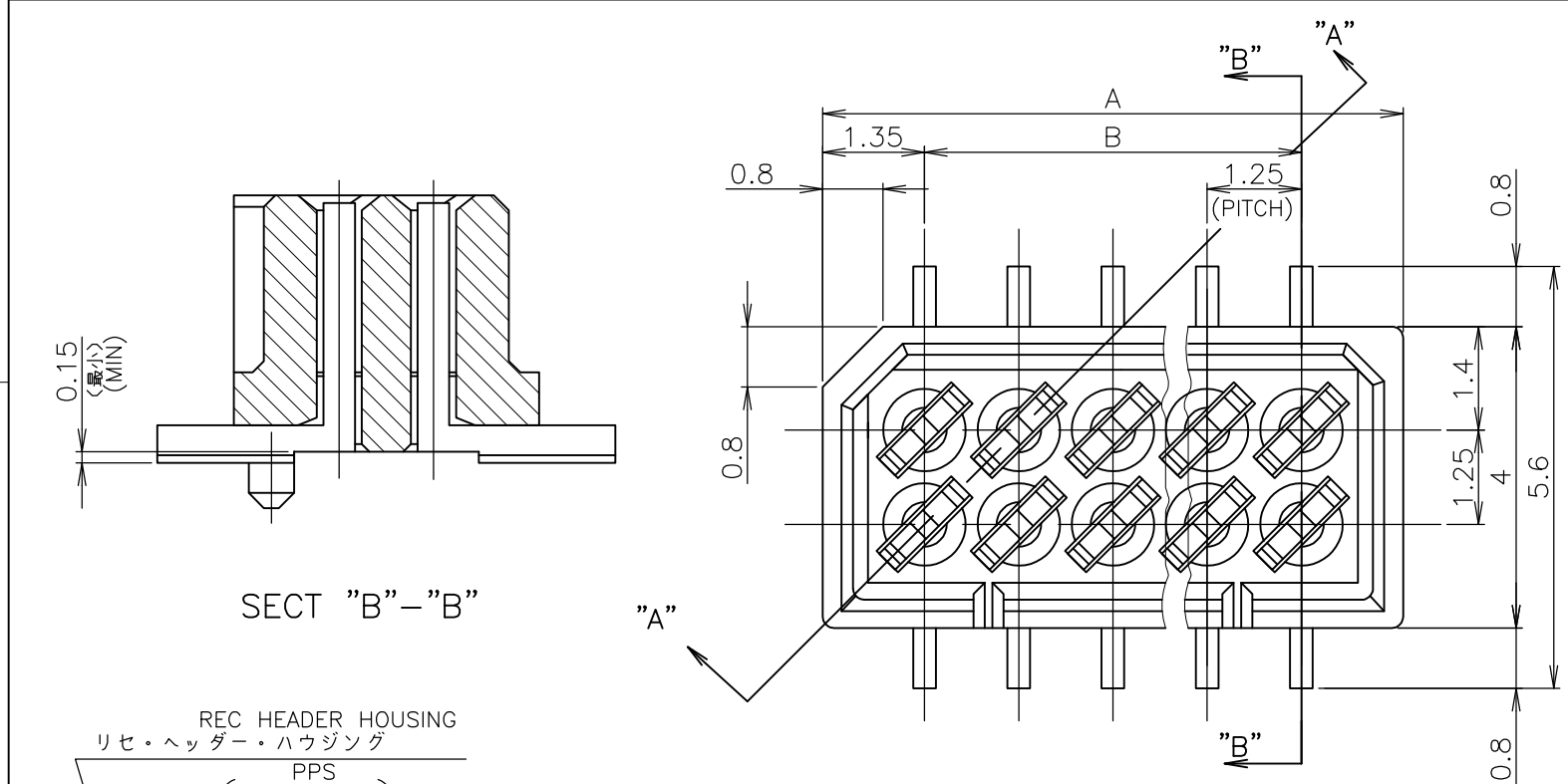


THIS DRAWING IS UNPUBLISHED. RELEASED FOR PUBLICATION ? ? ?
 © COPYRIGHT ? By - ALL RIGHTS RESERVED.

LOC	DIST	REVISIONS					
		P	LTR	DESCRIPTION	DATE	DWN	APVD
J		P2		REVISED PER ECR-14-010014	31NOV2014	I.T	W.H

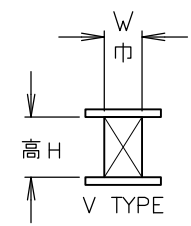


1 嵌合相手製品型番及び、嵌合時寸法は
 MATING COUNTER PART NUMBER AND DIMENSIONS
 表-1 参照のこと。
 AFTER MATING: SEE TABLE 1.

嵌合時寸法: 巾(mm)×高さ(mm)
 DIMENSIONS AFTER MATING: WIDE(mm) x HEIGHT(mm)

DIP TYPE	MATING COUNTER CONN 嵌合相手側コネクタ POST HDR ASSY		高さ H	REC HDR ASSY SMT V TYPE WITH BOSS X-174639-X
	製品型番	P/N		
DIP TYPE	X-174643-X		3.95	5.6 (巾W) x 5.0 (高さH)
			5.95	5.6 (巾W) x 7.0 (高さH)
SMT TYPE	ボス無 WITHOUT BOSS X-174645-X ボス付 WITH BOSS X-174821-X		3.95	5.6 (巾W) x 6.5 (高さH)
			5.45	5.6 (巾W) x 6.5 (高さH)
			5.95	5.6 (巾W) x 7.0 (高さH)
	ボス無 WITHOUT BOSS X-178041-X ボス付 WITH BOSS X-176756-X		9.35	7.0 (巾W) x 10.5 (高さH)

TABLE 1 SMT TYPEは、巾及び高さ寸法に
 SMT TYPE INCLUDE DIMENSIONS
 半田付タイン部寸法を含みます。
 OF SOLDER DIP TIME.



OBSOLETE	'A'	12.95	11.25	13.95	20	5-	-0
		11.70	10.00	12.70	18	4-	-8
		10.45	8.75	11.45	16	4-	-6
		9.20	7.50	10.20	14	4-	-4
		7.95	6.25	8.95	12	4-	-2
		6.70	5.00	7.70	10	4-	-0
	'B'	4.20	2.50	5.20	6		3-174639-6
	ボス形状 BOSS FORM	C	B	A	極数 Pos.		型番 P/N

THIS DRAWING IS A CONTROLLED DOCUMENT.

DWN: S.KANEKI 03JUL89
 CHK: J.TANIGAWA 03JUL89
 APVD: S.KIKUCHI 03JUL89

PRODUCT SPEC 製品規格
 APPLICATION SPEC 取付適用規格
 WEIGHT

MATERIAL 材料 AS SHOWN 図中参照
 FINISH 仕上 AS SHOWN 図中参照

SCALE 10:1 SHEET 1 OF 1 REV P2

CUSTOMER DRAWING

NAME 名称: 1.25 F-P コネクタ (基板対基板接続用)
 2列仕様 リセ ヘッダー アッセンブリ (V)
 サーフエスマウント タイプ 基板位置決め用ボス付
 1.25 F-P CONNECTOR (B-TO-B) DOUBLE ROW REC HDR ASSY (V) SMT TYPE WITH BOSS

SIZE: A3 CAGE CODE: 00779 DRAWING NO: 174639 RESTRICTED TO: -

Mouser Electronics

Authorized Distributor

Click to View Pricing, Inventory, Delivery & Lifecycle Information:

[TE Connectivity:](#)

[4-174639-2](#)