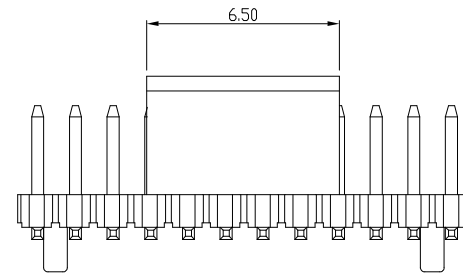
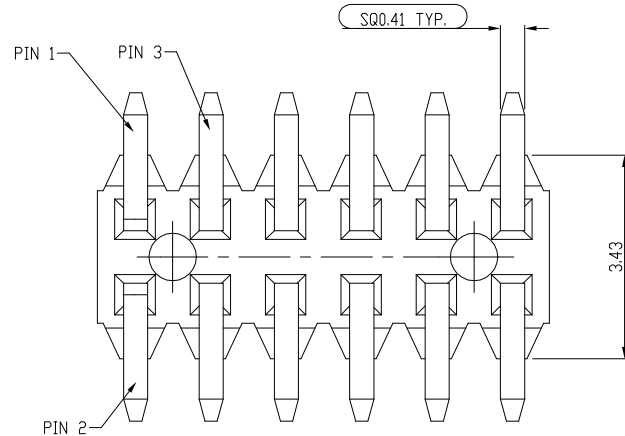
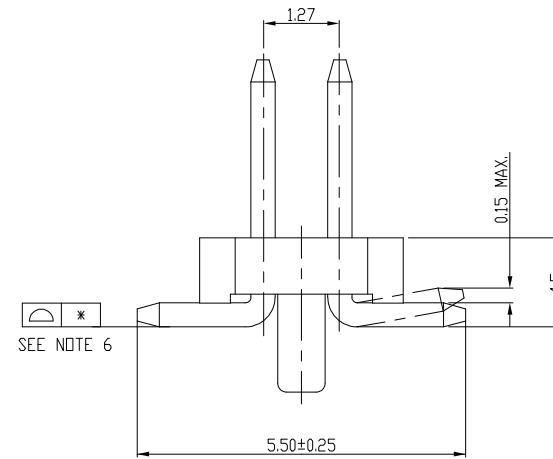
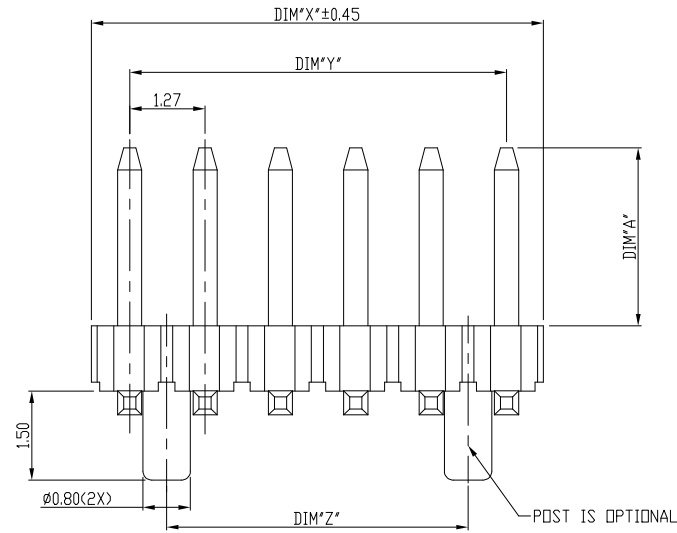
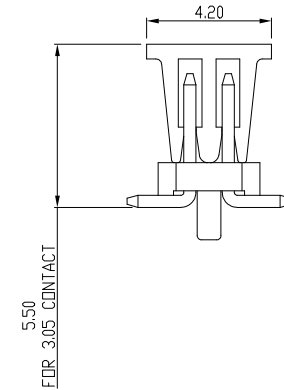


PART NO.  
20021121



PRODUCT WITH CAP

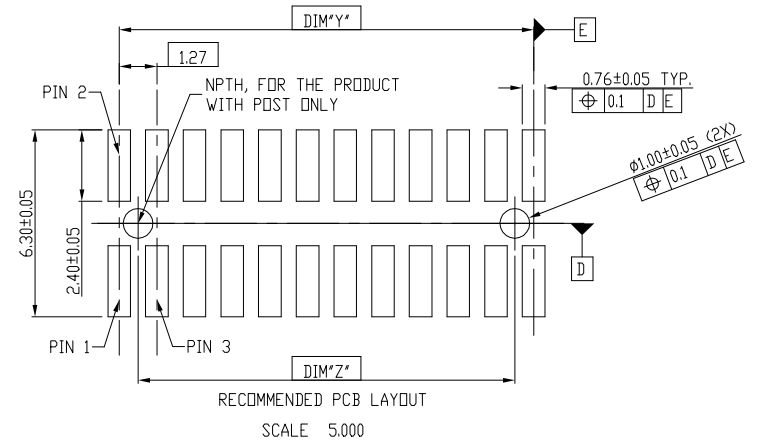


- NOTES:  
 1.MATERIAL:  
 HOUSING: HIGH TEMPERATURE THERMOPLASTIC, UL94-V0 BLACK.  
 TERMINAL: COPPER ALLOY  
 2.THE HOUSING WILL WITHSTAND EXPOSURE TO 260°C PEAK TEMPERATURE FOR 10 SECONDS IN A CONVECTION INFRA-RED OR VAPOR PHASE REFLOW OVEN.  
 3.THIS PRODUCT MEETS EUROPEAN UNION DIRECTIVES AND OTHER COUNTRY REGULATIONS AS DESCRIBED IN GS-22-008.  
 4.PRODUCT SPEC: GS-12-629  
 5.PACKAGE SPEC: GS-14-1420  
 6.04~38 PDS: 0.1mm  
 40~100 PDS: 0.14mm

mat'l. code		surface ISO 1302 ✓		tolerance ISO 406 ISO 1101		projection		product family	
ltr		ecn no		dr		date		MINITEK127®	
L		ELX-N-23548		TIM		03/21/16		title	
M		ELX-N-23949		TIM		04/26/16		UNSHROUDED HDR VT SMT	
N		ELX-N-28817		TONY		12/18/17		scale 1:1	
P		ELX-N-32456		TONY		01/14/19		Amphenol FCI	
sheet index		revision sheet		P P		ZK HU		dwg no	
						8/1/12		sheet 1 of 2	
						engr ZK HU		size	
						chr BIAN RICK		20021121	
						appd BIAN RICK		A3	
								type Product Customer Drawing	

PART NO.	POS.	DIM*X"	DIM*Y"	DIM*Z"
20021121-XXX04XXLF	2 X 2	2.54	1.27	0
20021121-XXX06XXLF	2 X 3	3.81	2.54	1.27
20021121-XXX08XXLF	2 X 4	5.08	3.81	2.54
20021121-XXX10XXLF	2 X 5	6.35	5.08	3.81
20021121-XXX12XXLF	2 X 6	7.62	6.35	5.08
20021121-XXX14XXLF	2 X 7	8.89	7.62	6.35
20021121-XXX16XXLF	2 X 8	10.16	8.89	7.62
20021121-XXX18XXLF	2 X 9	11.43	10.16	8.89
20021121-XXX20XXLF	2 X 10	12.70	11.43	10.16
20021121-XXX22XXLF	2 X 11	13.97	12.70	11.43
20021121-XXX24XXLF	2 X 12	15.24	13.97	12.70
20021121-XXX26XXLF	2 X 13	16.51	15.24	13.97
20021121-XXX28XXLF	2 X 14	17.78	16.51	15.24
20021121-XXX30XXLF	2 X 15	19.05	17.78	16.51
20021121-XXX32XXLF	2 X 16	20.32	19.05	17.78
20021121-XXX34XXLF	2 X 17	21.59	20.32	19.05
20021121-XXX36XXLF	2 X 18	22.86	21.59	20.32
20021121-XXX38XXLF	2 X 19	24.13	22.86	21.59
20021121-XXX40XXLF	2 X 20	25.40	24.13	22.86
20021121-XXX42XXLF	2 X 21	26.67	25.40	24.13
20021121-XXX44XXLF	2 X 22	27.94	26.67	25.40
20021121-XXX46XXLF	2 X 23	29.21	27.94	26.67
20021121-XXX48XXLF	2 X 24	30.48	29.21	27.94
20021121-XXX50XXLF	2 X 25	31.75	30.48	29.21
20021121-XXX52XXLF	2 X 26	33.02	31.75	30.48
20021121-XXX54XXLF	2 X 27	34.29	33.02	31.75
20021121-XXX56XXLF	2 X 28	35.56	34.29	33.02
20021121-XXX58XXLF	2 X 29	36.83	35.56	34.29
20021121-XXX60XXLF	2 X 30	38.10	36.83	35.56
20021121-XXX62XXLF	2 X 31	39.37	38.10	36.83
20021121-XXX64XXLF	2 X 32	40.64	39.37	38.10
20021121-XXX66XXLF	2 X 33	41.91	40.64	39.37
20021121-XXX68XXLF	2 X 34	43.18	41.91	40.64
20021121-XXX70XXLF	2 X 35	44.45	43.18	41.91
20021121-XXX72XXLF	2 X 36	45.72	44.45	43.18
20021121-XXX74XXLF	2 X 37	46.99	45.72	44.45
20021121-XXX76XXLF	2 X 38	48.26	46.99	45.72
20021121-XXX78XXLF	2 X 39	49.53	48.26	46.99
20021121-XXX80XXLF	2 X 40	50.80	49.53	48.26
20021121-XXX82XXLF	2 X 41	52.07	50.80	49.53
20021121-XXX84XXLF	2 X 42	53.34	52.07	50.80
20021121-XXX86XXLF	2 X 43	54.61	53.34	52.07
20021121-XXX88XXLF	2 X 44	55.88	54.61	53.34
20021121-XXX90XXLF	2 X 45	57.15	55.88	54.61

PART NO.	POS.	DIM*X"	DIM*Y"	DIM*Z"
20021121-XXX92XXLF	2 X 46	58.42	57.15	55.88
20021121-XXX94XXLF	2 X 47	59.69	58.42	57.15
20021121-XXX96XXLF	2 X 48	60.96	59.69	58.42
20021121-XXX98XXLF	2 X 49	62.23	60.96	59.69
20021121-XXXA0XXLF	2 X 50	63.50	62.23	60.96



20021121-X X X XX X X LF

- LEAD FREE
- PLATING ON CONTACT AREA
  - 1: GOLD FLASH AT CONTACT, 1.27um MIN. MATTE TIN AT TAIL
  - 2: GOLD FLASH AT CONTACT, GOLD FLASH AT TAIL
  - 4: 0.25um Au MIN. AT CONTACT, 1.27um MIN.MATTE TIN AT TAIL
  - 5: 0.25um Au MIN. AT CONTACT, GOLD FLASH AT TAIL
  - 6: 0.38um GXT MIN. AT CONTACT, 1.27um MIN.MATTE TIN AT TAIL
  - 7: 0.38um GXT MIN. AT CONTACT, GOLD FLASH AT TAIL
  - 8: 0.76um GXT MIN. AT CONTACT, 1.27um MIN.MATTE TIN AT TAIL
  - 9: 0.76um GXT MIN. AT CONTACT, GOLD FLASH AT TAIL
- PACKING STYLE
  - T: TUBE
  - D: TUBE + CAP
  - C: TAPE & REEL + CAP
- PIN NO. SEE TABLE
- MATING LENGTH(DIM\*A")
  - 0: 3.05MM
- CODE
  - 0: STANDARD
  - V: DEDICATED CUSTOMER
- POST OPTION
  - 0: WITHOUT POST
  - 1: WITH POST

mat'l. code		surface	tolerance	projection	product family
		ISO 1302 ✓	ISO 406 ISO 1101		MINITEK127®
ltr	ecn no	dr	date	tolerances unless otherwise specified	title
P				angles linear .0±.30 .00±.20 0±2' .000±.10	UNSHROUDED HDR VT SMT
				scale 1:1	dwg no
					sheet 2 of 2
					size
					20021121
					A3
					type Product Customer Drawing
sheet index	revision sheet	P	P		
	1	2			

# Mouser Electronics

Authorized Distributor

Click to View Pricing, Inventory, Delivery & Lifecycle Information:

## [FCI / Amphenol:](#)

<a href="#">20021121-00004T1LF</a>	<a href="#">20021121-00006T1LF</a>	<a href="#">20021121-00008T1LF</a>	<a href="#">20021121-00010T1LF</a>	<a href="#">20021121-00012T1LF</a>
<a href="#">20021121-00014T1LF</a>	<a href="#">20021121-00016T1LF</a>	<a href="#">20021121-00018T1LF</a>	<a href="#">20021121-00020T1LF</a>	<a href="#">20021121-00022T1LF</a>
<a href="#">20021121-00024T1LF</a>	<a href="#">20021121-00026T1LF</a>	<a href="#">20021121-00028T1LF</a>	<a href="#">20021121-00030T1LF</a>	<a href="#">20021121-00032T1LF</a>
<a href="#">20021121-00034T1LF</a>	<a href="#">20021121-00036T1LF</a>	<a href="#">20021121-00038T1LF</a>	<a href="#">20021121-00040T1LF</a>	<a href="#">20021121-00042T1LF</a>
<a href="#">20021121-00044T1LF</a>	<a href="#">20021121-00046T1LF</a>	<a href="#">20021121-00048T1LF</a>	<a href="#">20021121-00050T1LF</a>	<a href="#">20021121-00052T1LF</a>
<a href="#">20021121-00054T1LF</a>	<a href="#">20021121-00056T1LF</a>	<a href="#">20021121-00058T1LF</a>	<a href="#">20021121-00060T1LF</a>	<a href="#">20021121-00062T1LF</a>
<a href="#">20021121-00064T1LF</a>	<a href="#">20021121-00066T1LF</a>	<a href="#">20021121-00068T1LF</a>	<a href="#">20021121-00070T1LF</a>	<a href="#">20021121-00072T1LF</a>
<a href="#">20021121-00074T1LF</a>	<a href="#">20021121-00076T1LF</a>	<a href="#">20021121-00078T1LF</a>	<a href="#">20021121-00080T1LF</a>	<a href="#">20021121-00082T1LF</a>
<a href="#">20021121-00084T1LF</a>	<a href="#">20021121-00086T1LF</a>	<a href="#">20021121-00088T1LF</a>	<a href="#">20021121-00090T1LF</a>	<a href="#">20021121-00092T1LF</a>
<a href="#">20021121-00094T1LF</a>	<a href="#">20021121-00096T1LF</a>	<a href="#">20021121-00098T1LF</a>	<a href="#">20021121-000A0T1LF</a>	<a href="#">20021121-00004T4LF</a>
<a href="#">20021121-00006T4LF</a>	<a href="#">20021121-00008T4LF</a>	<a href="#">20021121-00010T4LF</a>	<a href="#">20021121-00012T4LF</a>	<a href="#">20021121-00014T4LF</a>
<a href="#">20021121-00016T4LF</a>	<a href="#">20021121-00018T4LF</a>	<a href="#">20021121-00020T4LF</a>	<a href="#">20021121-00022T4LF</a>	<a href="#">20021121-00024T4LF</a>
<a href="#">20021121-00026T4LF</a>	<a href="#">20021121-00028T4LF</a>	<a href="#">20021121-00030T4LF</a>	<a href="#">20021121-00032T4LF</a>	<a href="#">20021121-00034T4LF</a>
<a href="#">20021121-00036T4LF</a>	<a href="#">20021121-00038T4LF</a>	<a href="#">20021121-00040T4LF</a>	<a href="#">20021121-00042T4LF</a>	<a href="#">20021121-00044T4LF</a>
<a href="#">20021121-00046T4LF</a>	<a href="#">20021121-00048T4LF</a>	<a href="#">20021121-00050T4LF</a>	<a href="#">20021121-00052T4LF</a>	<a href="#">20021121-00054T4LF</a>
<a href="#">20021121-00056T4LF</a>	<a href="#">20021121-00058T4LF</a>	<a href="#">20021121-00060T4LF</a>	<a href="#">20021121-00062T4LF</a>	<a href="#">20021121-00064T4LF</a>
<a href="#">20021121-00066T4LF</a>	<a href="#">20021121-00068T4LF</a>	<a href="#">20021121-00070T4LF</a>	<a href="#">20021121-00072T4LF</a>	<a href="#">20021121-00074T4LF</a>
<a href="#">20021121-00076T4LF</a>	<a href="#">20021121-00078T4LF</a>	<a href="#">20021121-00080T4LF</a>	<a href="#">20021121-00082T4LF</a>	<a href="#">20021121-00084T4LF</a>
<a href="#">20021121-00086T4LF</a>	<a href="#">20021121-00088T4LF</a>	<a href="#">20021121-00090T4LF</a>	<a href="#">20021121-00092T4LF</a>	<a href="#">20021121-00094T4LF</a>
<a href="#">20021121-00096T4LF</a>	<a href="#">20021121-00098T4LF</a>	<a href="#">20021121-000A0T4LF</a>	<a href="#">20021121-00004T8LF</a>	<a href="#">20021121-00006T8LF</a>