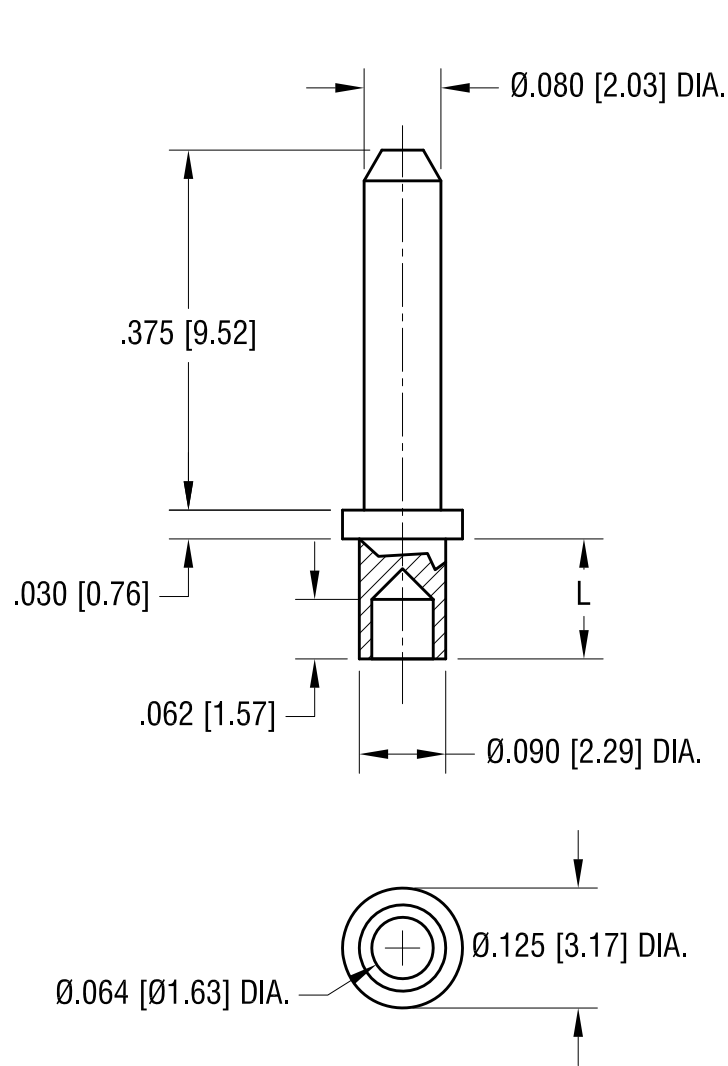


THIS DOCUMENT IS THE PROPERTY OF
KEYSTONE ELECTRONICS CORP. AND
SHALL NOT BE REPRODUCED, DISTRIBUTED
OR USED AS A BASIS FOR MANUFACTURE
WITHOUT PRIOR WRITTEN PERMISSION
FROM KEYSTONE ELECTRONICS CORP.



PART NO.	'L' DIM.
1455-2	.094 [2.39]
1455-3	.125 [3.18]
1455-4	.156 [3.96]

KEYSTONE ELECTRONICS CORP.
www.keyelco.com • ASTORIA, N.Y. 11105-2017 • Tel (718) 956-8900

PART NAME: MICRO PIN, SWAGE MOUNT

MATERIAL: BRASS

FINISH: TIN PLATE

DRN BY: BOONE DATE: 9.6.96

APP'D: LN SCALE: 5X

TOLERANCES INCH [MM]
DECIMAL $\pm .005$ [± 0.15]
ANGULAR $\pm 1^\circ$
UNLESS OTHERWISE SPECIFIED

CODE: C DWG NO. 1455-

5.07.09	CHANGE AS PER ECN 09-037	A
DATE	DESCRIPTION	REV.

Mouser Electronics

Authorized Distributor

Click to View Pricing, Inventory, Delivery & Lifecycle Information:

[Keystone Electronics:](#)

[1455-2](#)