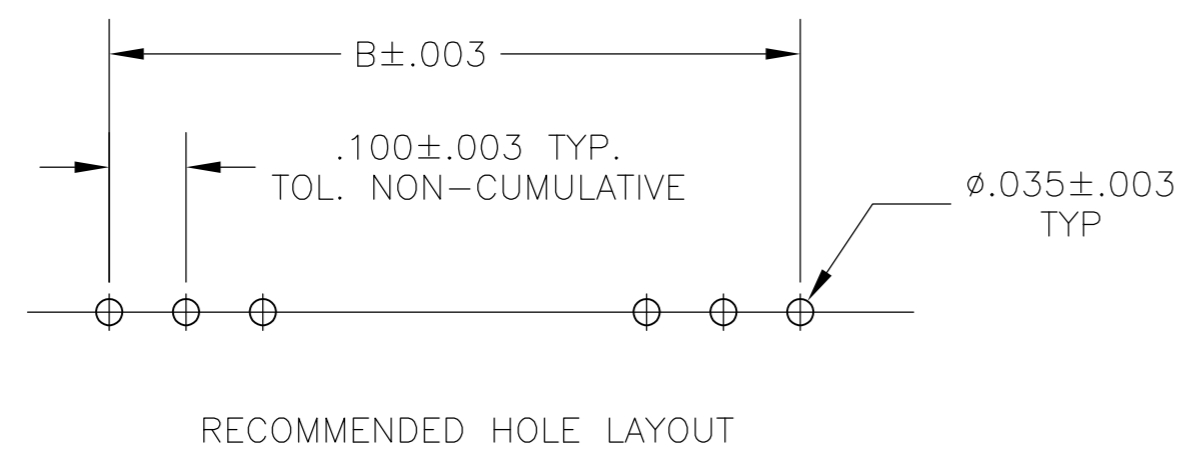
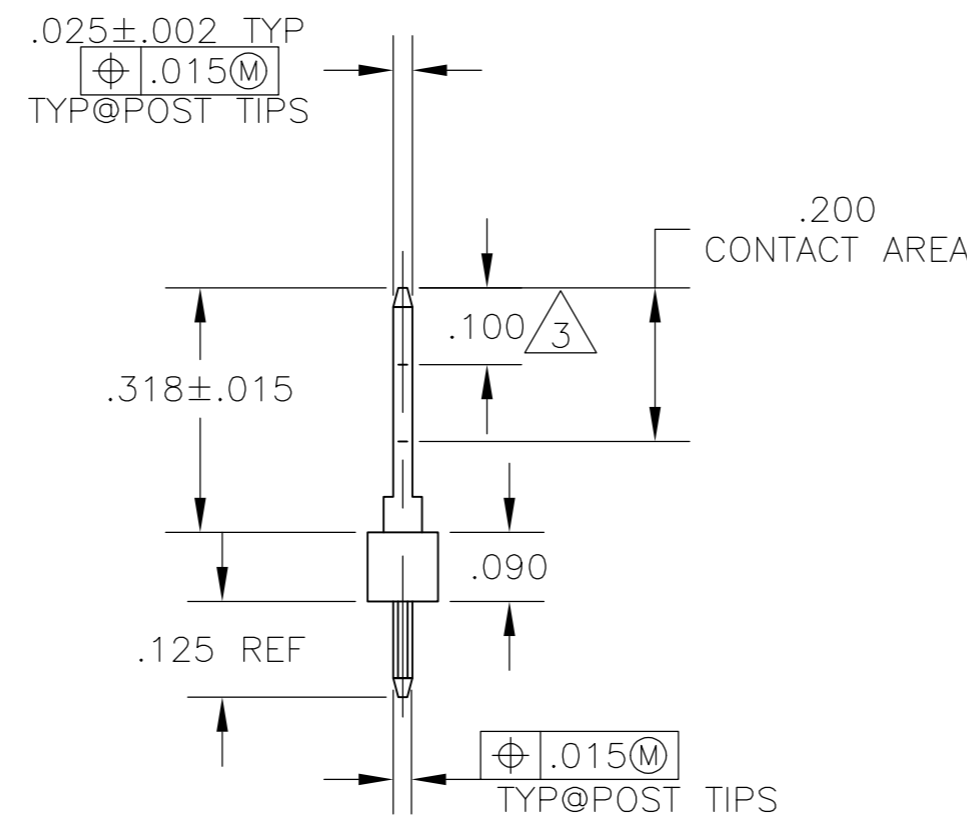
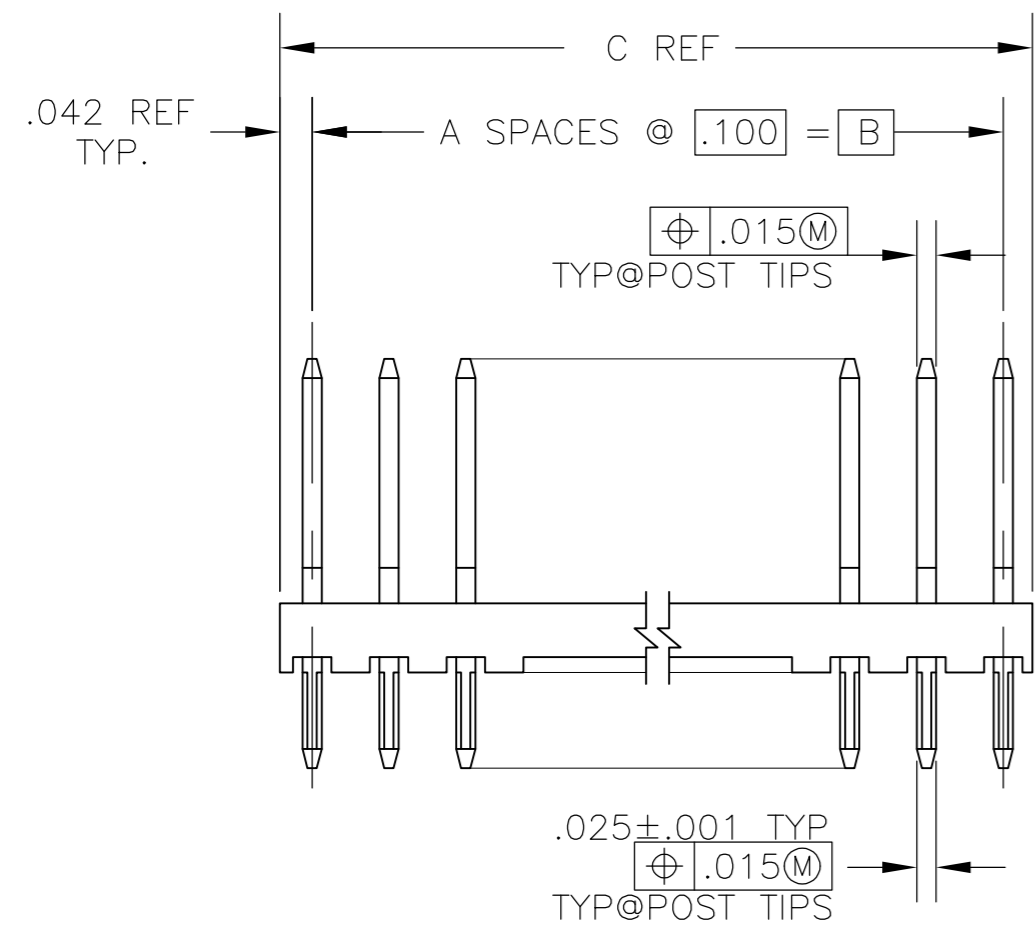


THIS DRAWING IS UNPUBLISHED. RELEASED FOR PUBLICATION  
 © COPYRIGHT - By - ALL RIGHTS RESERVED.

LOC	DIST	REVISIONS			
P	LTR	DESCRIPTION	DATE	DWN	APVD
AD	39	L3 PART STATUS UPDATED IN THE PARTS LIST TABLE	27AUG2015	KJK	PS



NOTES:

- 1 TRUE POSITION TOLERANCE OF POST TIPS APPLIES WHEN HEADERS ARE HELD FLAT AGAINST PC BOARD.
- 2 .000015 GOLD IN CONTACT AREA, GOLD FLASH ON SOLDER AREA, ALL OVER .000050 NICKEL.
- 3 POINT OF MEASUREMENT FOR PLATING THICKNESS.
- 4 PARTS PACKAGED IN SINGLE TUBES.
- 5 HOUSING: FLAME RETARDANT THERMOPLASTIC, COLOR-BLACK POST: PHOS.BRONZE.
- 6 OBSOLETE PARTS: OBSOLETE CIS STREAMLINING PER D.RENAUD/D.SINISI

6	4	OBSOLETE	.284	.200	2	3	4-87224-3
3.984	3.900	39	40	4-87224-0			
3.884	3.800	38	39	3-87224-9			
3.784	3.700	37	38	3-87224-8			
3.684	3.600	36	37	3-87224-7			
3.584	3.500	35	36	3-87224-6			
3.484	3.400	34	35	3-87224-5			
3.384	3.300	33	34	3-87224-4			
3.284	3.200	32	33	3-87224-3			
3.184	3.100	31	32	3-87224-2			
3.084	3.000	30	31	3-87224-1			
2.984	2.900	29	30	3-87224-0			
2.884	2.800	28	29	2-87224-9			
2.784	2.700	27	28	2-87224-8			
2.684	2.600	26	27	2-87224-7			
2.584	2.500	25	26	2-87224-6			
2.484	2.400	24	25	2-87224-5			
2.384	2.300	23	24	2-87224-4			
2.284	2.200	22	23	2-87224-3			
2.184	2.100	21	22	2-87224-2			
2.084	2.000	20	21	2-87224-1			
1.984	1.900	19	20	2-87224-0			
1.884	1.800	18	19	1-87224-9			
1.784	1.700	17	18	1-87224-8			
1.684	1.600	16	17	1-87224-7			
1.584	1.500	15	16	1-87224-6			
1.484	1.400	14	15	1-87224-5			
1.384	1.300	13	14	1-87224-4			
1.284	1.200	12	13	1-87224-3			
1.184	1.100	11	12	1-87224-2			
1.084	1.000	10	11	1-87224-1			
.984	.900	9	10	1-87224-0			
.884	.800	8	9	87224-9			
.784	.700	7	8	87224-8			
.684	.600	6	7	87224-7			
.584	.500	5	6	87224-6			
.484	.400	4	5	87224-5			
.384	.300	3	4	87224-4			
.284	.200	2	3	87224-3			
.184	.100	1	2	87224-2			
.084	-	-	1	87224-1			
C	B	A	NO OF POS	PART NO			

THIS DRAWING IS A CONTROLLED DOCUMENT.		DWN RAGHAVENDRA 24FEB09	TE Connectivity	
DIMENSIONS: INCHES		CHK GESFORD JEFFREY 24FEB09		
TOLERANCES UNLESS OTHERWISE SPECIFIED:		APVD GESFORD JEFFREY 24FEB09	NAME	
0 PLC ± - 1 PLC ± - 2 PLC ± - 3 PLC ± .005 4 PLC ± - ANGLES ± -		PRODUCT SPEC	HEADER ASS'Y MOD II, .025 SQ POST, SINGLE ROW, 100 C/L, STACKABLE	
MATERIAL		FINISH	SIZE	RESTRICTED TO
5		2	A2 00779 C=87224	-
CUSTOMER DRAWING			SCALE 4:1	SHEET 1 of 1
			REV L3	

# Mouser Electronics

Authorized Distributor

Click to View Pricing, Inventory, Delivery & Lifecycle Information:

[TE Connectivity:](#)

[4-87224-0](#)